

DORNIER 228-100 WITHOUT OPTIONAL PRESSURE REFUELING

STANDARD DE-ICE BOOTS

POSITION ID	GOODRICH PART NUMBER	AIRCRAFT OEM P/N	DESCRIPTION	QTY PER AIRCRAFT	WT
1	29S-5D5138-15	K700-499	FUSELAGE-NACELLE LH DE-ICE BOOT WITH LARGE CUT OUT 5.2X7.5 IN.	1	2.2
1	29S-5D5138-19	K700-509	FUSELAGE-NACELLE LH DE-ICE BOOT WITH SMALL CUT OUT 7.5X2 IN.	1	2.2
2	29S-5D5138-16	K700-498	FUSELAGE-NACELLE RH DE-ICE BOOT	1	2.2
3	29S-5D5138-11	K700-501	NACELLE-BREAK LH DE-ICE BOOT	1	3.7
4	29S-5D5138-12	K700-500	NACELLE-BREAK RH DE-ICE BOOT	1	3.7
5	29S-5D5138-03	K700-336	BREAK-TIP LH DE-ICE BOOT	1	3.0
6	29S-5D5138-04	K700-337	BREAK-TIP RH DE-ICE BOOT	1	3.0
7	30S-5D5138-05	K700-334	HORIZONTAL STABILIZER LH (ESTANE®) DE-ICE BOOT	1	4.4
8	30S-5D5138-06	K700-335	HORIZONTAL STABILIZER RH (ESTANE®) DE-ICE BOOT	1	4.4
9	29S-5D5138-07	K700-333	VERTICAL STABILIZER (ESTANE®) DE-ICE BOOT	1	2.0

ESTANE® DE-ICERS HAVE A SURFACE PLY RESISTANT TO DIESTER TYPE ENGINE OIL

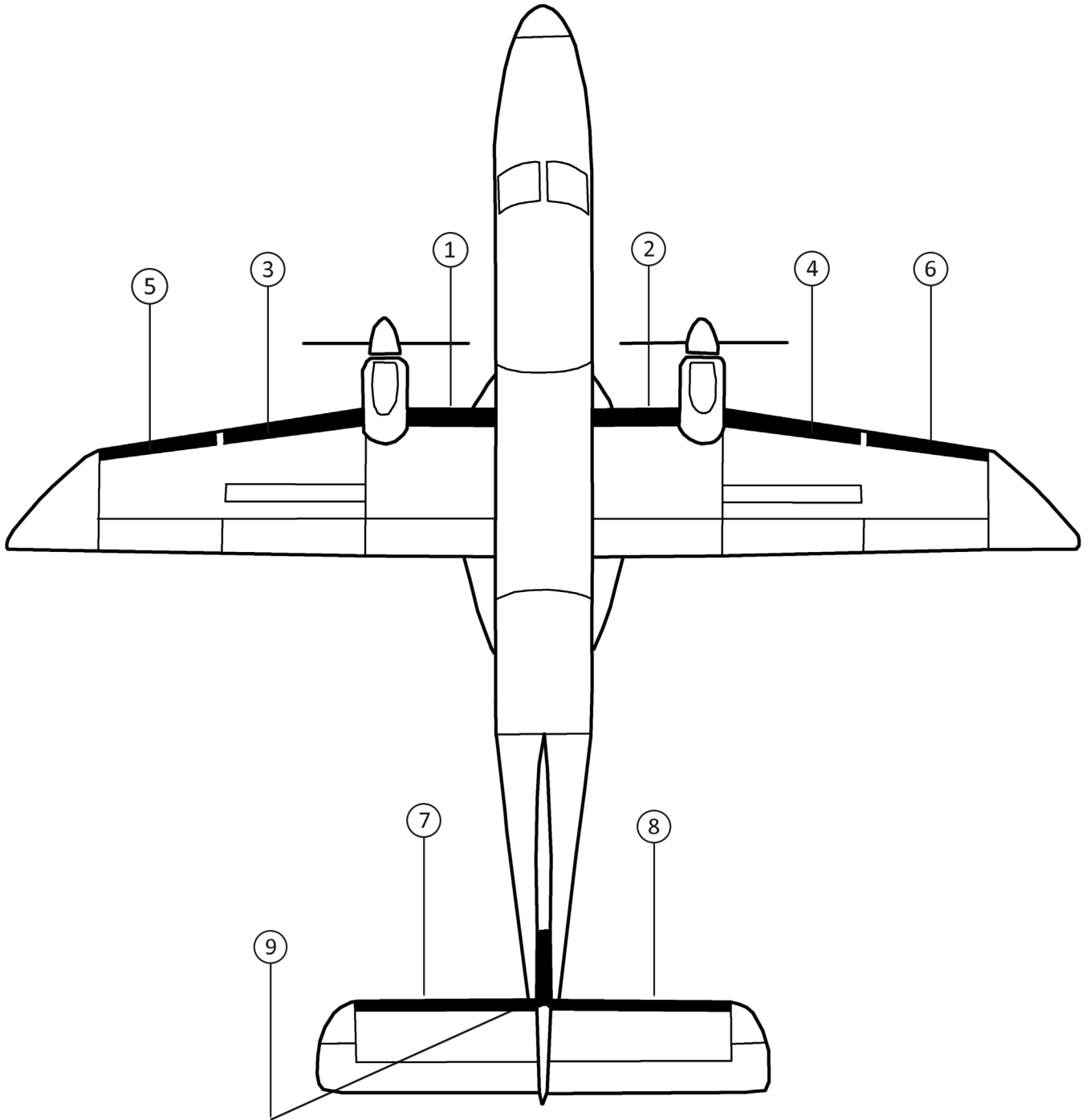
FASTboot® DE-ICE BOOTS

POSITION ID	GOODRICH PART NUMBER	AIRCRAFT OEM P/N	DESCRIPTION	QTY PER AIRCRAFT	WT
1	P29S-5D5138-15	K700-499	FASTBOOT® FUSELAGE-NACELLE LH DE-ICE BOOT WITH LARGE CUT OUT 5.2X7.5 IN.	1	2.2
1	P29S-5D5138-19	K700-509	FASTBOOT® FUSELAGE-NACELLE LH DE-ICE BOOT WITH SMALL CUT OUT 7.5X2 IN.	1	2.2
2	P29S-5D5138-16	K700-498	FASTBOOT® FUSELAGE-NACELLE RH DE-ICE BOOT	1	2.2
3	P29S-5D5138-11	K700-501	FASTBOOT® NACELLE-BREAK LH DE-ICE BOOT	1	3.7
4	P29S-5D5138-12	K700-500	FASTBOOT® NACELLE-BREAK RH DE-ICE BOOT	1	3.7
5	P29S-5D5138-03	K700-336	FASTBOOT® BREAK-TIP LH DE-ICE BOOT	1	3.0
6	P29S-5D5138-04	K700-337	FASTBOOT® BREAK-TIP RH DE-ICE BOOT	1	3.0
7	P30S-5D5138-05	K700-334	FASTBOOT® HORIZONTAL STABILIZER LH (ESTANE®) DE-ICE BOOT	1	4.4
8	P30S-5D5138-06	K700-335	FASTBOOT® HORIZONTAL STABILIZER RH (ESTANE®) DE-ICE BOOT	1	4.4
9	P29S-5D5138-07	K700-333	FASTBOOT® VERTICAL STABILIZER (ESTANE®) DE-ICE BOOT	1	2.0

ESTANE® DE-ICERS HAVE A SURFACE PLY RESISTANT TO DIESTER TYPE ENGINE OIL

DORNIER 228-100 WITHOUT OPTIONAL PRESSURE REFUELING

DORNIER 228-100 WITHOUT OPTIONAL PRESSURE REFUELING



DORNIER 228-100 WITHOUT OPTIONAL PRESSURE REFUELING

DORNIER 228-100 WITH OPTIONAL PRESSURE REFUELING

STANDARD DE-ICE BOOTS

POSITION ID	GOODRICH PART NUMBER	AIRCRAFT OEM P/N	DESCRIPTION	QTY PER AIRCRAFT	WT
1	29S-5D5138-15	K700-499	FUSELAGE-NACELLE LH DE-ICE BOOT WITH LARGE CUT OUT 5.2X7.5 IN.	1	2.2
1	29S-5D5138-19	K700-509	FUSELAGE-NACELLE LH DE-ICE BOOT WITH SMALL CUT OUT 7.5X2 IN.	1	2.2
2	29S-5D5138-18	K700-398	FUSELAGE-NACELLE RH DE-ICE BOOT	1	2.2
3	29S-5D5138-11	K700-501	NACELLE-BREAK LH DE-ICE BOOT	1	3.7
4	29S-5D5138-12	K700-500	NACELLE-BREAK RH DE-ICE BOOT	1	3.7
5	29S-5D5138-03	K700-336	BREAK-TIP LH DE-ICE BOOT	1	3.0
6	29S-5D5138-04	K700-337	BREAK-TIP RH DE-ICE BOOT	1	3.0
7	30S-5D5138-05	K700-334	HORIZONTAL STABILIZER LH (ESTANE®) DE-ICE BOOT	1	4.4
8	30S-5D5138-06	K700-335	HORIZONTAL STABILIZER RH (ESTANE®) DE-ICE BOOT	1	4.4
9	29S-5D5138-07	K700-333	VERTICAL STABILIZER (ESTANE®) DE-ICE BOOT	1	2.0

ESTANE® DE-ICERS HAVE A SURFACE PLY RESISTANT TO DIESTER TYPE ENGINE OIL

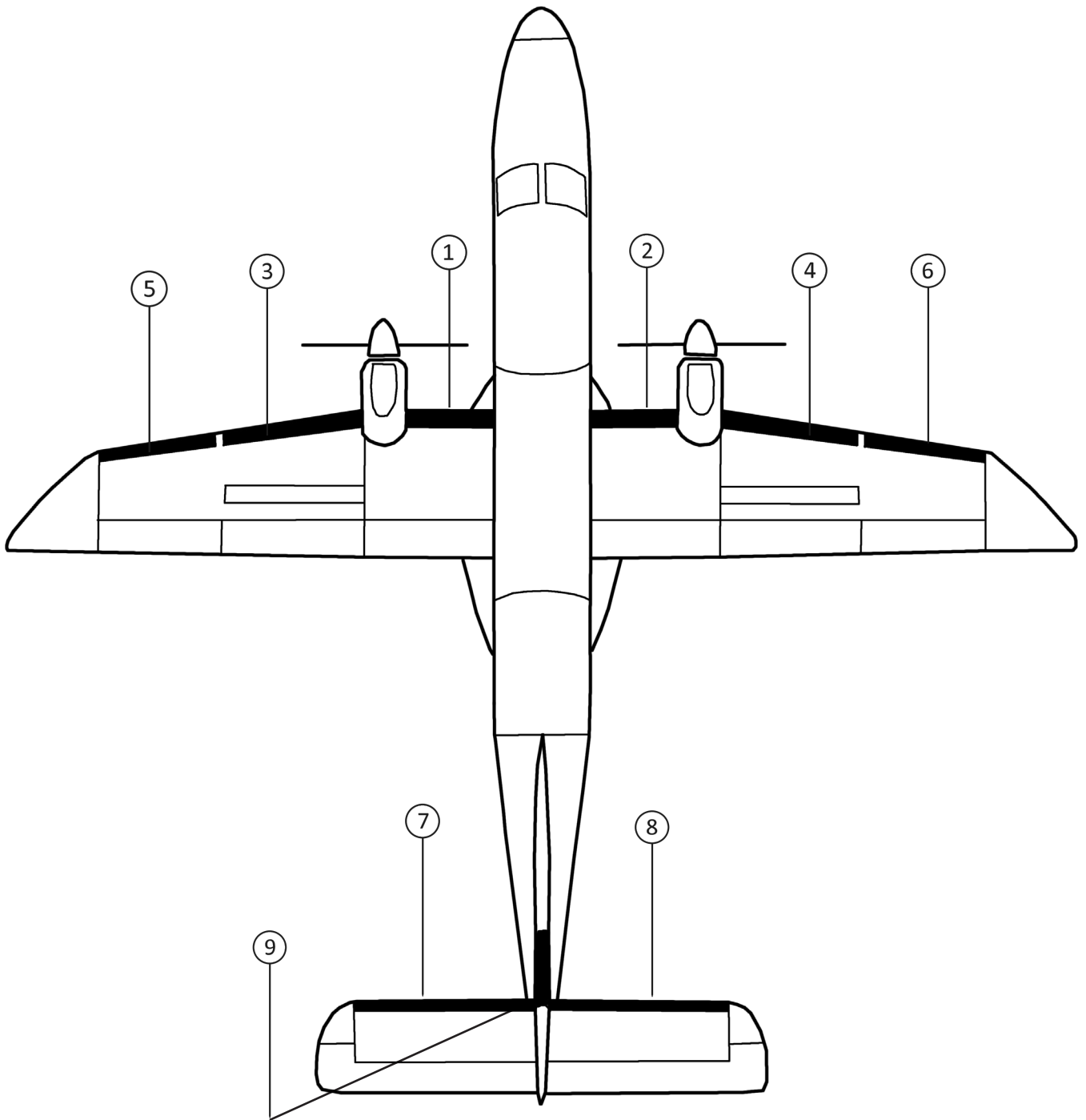
FASTboot® DE-ICE BOOTS

POSITION ID	GOODRICH PART NUMBER	AIRCRAFT OEM P/N	DESCRIPTION	QTY PER AIRCRAFT	WT
1	P29S-5D5138-15	K700-499	FASTBOOT® FUSELAGE-NACELLE LH DE-ICE BOOT WITH LARGE CUT OUT 5.2X7.5 IN.	1	2.2
1	P29S-5D5138-19	K700-509	FASTBOOT® FUSELAGE-NACELLE LH DE-ICE BOOT WITH SMALL CUT OUT 7.5X2 IN.	1	2.2
2	P29S-5D5138-18	K700-398	FASTBOOT® FUSELAGE-NACELLE RH DE-ICE BOOT	1	2.2
3	P29S-5D5138-11	K700-501	FASTBOOT® NACELLE-BREAK LH DE-ICE BOOT	1	3.7
4	P29S-5D5138-12	K700-500	FASTBOOT® NACELLE-BREAK RH DE-ICE BOOT	1	3.7
5	P29S-5D5138-03	K700-336	FASTBOOT® BREAK-TIP LH DE-ICE BOOT	1	3.0
6	P29S-5D5138-04	K700-337	FASTBOOT® BREAK-TIP RH DE-ICE BOOT	1	3.0
7	P30S-5D5138-05	K700-334	FASTBOOT® HORIZONTAL STABILIZER LH (ESTANE®) DE-ICE BOOT	1	4.4
8	P30S-5D5138-06	K700-335	FASTBOOT® HORIZONTAL STABILIZER RH (ESTANE®) DE-ICE BOOT	1	4.4
9	P29S-5D5138-07	K700-333	FASTBOOT® VERTICAL STABILIZER (ESTANE®) DE-ICE BOOT	1	2.0

ESTANE® DE-ICERS HAVE A SURFACE PLY RESISTANT TO DIESTER TYPE ENGINE OIL

DORNIER 228-100 WITH OPTIONAL PRESSURE REFUELING

DORNIER 228-100 WITH OPTIONAL PRESSURE REFUELING



DORNIER 228-100 WITH OPTIONAL PRESSURE REFUELING

DORNIER 228-200 WITHOUT OPTIONAL PRESSURE REFUELING

STANDARD DE-ICE BOOTS

POSITION ID	GOODRICH PART NUMBER	AIRCRAFT OEM P/N	DESCRIPTION	QTY PER AIRCRAFT	WT
1	29S-5D5138-15	K700-499	FUSELAGE-NACELLE LH DE-ICE BOOT WITH LARGE CUT OUT 5.2X7.5 IN.	1	2.2
1	29S-5D5138-19	K700-509	FUSELAGE-NACELLE LH DE-ICE BOOT WITH SMALL CUT OUT 7.5X2 IN.	1	2.2
2	29S-5D5138-16	K700-498	FUSELAGE-NACELLE RH DE-ICE BOOT	1	2.2
3	29S-5D5138-11	K700-501	NACELLE-BREAK LH DE-ICE BOOT	1	3.7
4	29S-5D5138-12	K700-500	NACELLE-BREAK RH DE-ICE BOOT	1	3.7
5	29S-5D5138-03	K700-336	BREAK-TIP LH DE-ICE BOOT	1	3.0
6	29S-5D5138-04	K700-337	BREAK-TIP RH DE-ICE BOOT	1	3.0
7	30S-5D5138-05	K700-334	HORIZONTAL STABILIZER LH (ESTANE®) DE-ICE BOOT	1	4.4
8	30S-5D5138-06	K700-335	HORIZONTAL STABILIZER RH (ESTANE®) DE-ICE BOOT	1	4.4
9	29S-5D5138-07	K700-333	VERTICAL STABILIZER (ESTANE®) DE-ICE BOOT	1	2.0

ESTANE® DE-ICERS HAVE A SURFACE PLY RESISTANT TO DIESTER TYPE ENGINE OIL

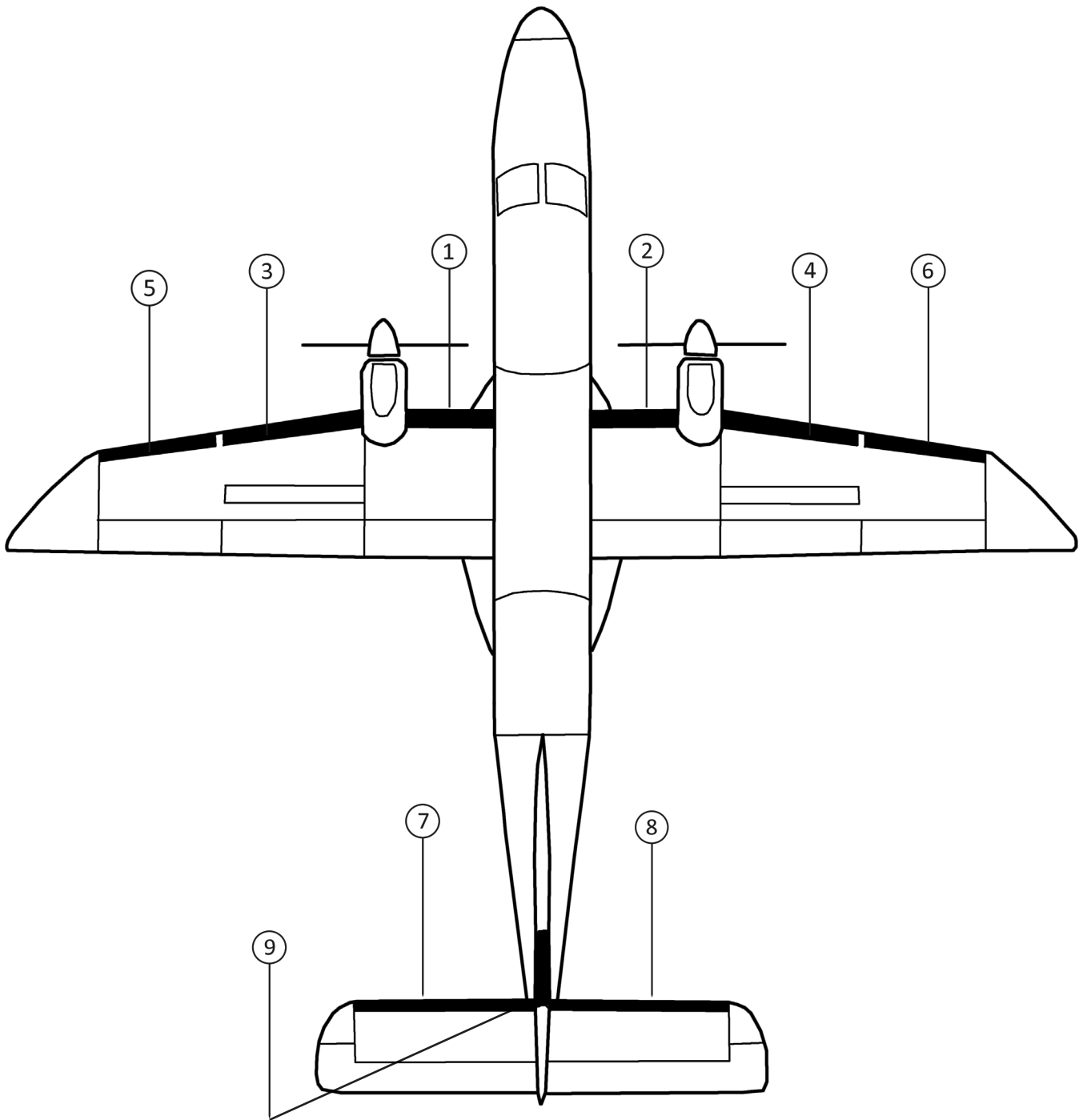
FASTboot® DE-ICE BOOTS

POSITION ID	GOODRICH PART NUMBER	AIRCRAFT OEM P/N	DESCRIPTION	QTY PER AIRCRAFT	WT
1	P29S-5D5138-15	K700-499	FASTBOOT® FUSELAGE-NACELLE LH DE-ICE BOOT WITH LARGE CUT OUT 5.2X7.5 IN.	1	2.2
1	P29S-5D5138-19	K700-509	FASTBOOT® FUSELAGE-NACELLE LH DE-ICE BOOT WITH SMALL CUT OUT 7.5X2 IN.	1	2.2
2	P29S-5D5138-16	K700-498	FASTBOOT® FUSELAGE-NACELLE RH DE-ICE BOOT	1	2.2
3	P29S-5D5138-11	K700-501	FASTBOOT® NACELLE-BREAK LH DE-ICE BOOT	1	3.7
4	P29S-5D5138-12	K700-500	FASTBOOT® NACELLE-BREAK RH DE-ICE BOOT	1	3.7
5	P29S-5D5138-03	K700-336	FASTBOOT® BREAK-TIP LH DE-ICE BOOT	1	3.0
6	P29S-5D5138-04	K700-337	FASTBOOT® BREAK-TIP RH DE-ICE BOOT	1	3.0
7	P30S-5D5138-05	K700-334	FASTBOOT® HORIZONTAL STABILIZER LH (ESTANE®) DE-ICE BOOT	1	4.4
8	P30S-5D5138-06	K700-335	FASTBOOT® HORIZONTAL STABILIZER RH (ESTANE®) DE-ICE BOOT	1	4.4
9	P29S-5D5138-07	K700-333	FASTBOOT® VERTICAL STABILIZER (ESTANE®) DE-ICE BOOT	1	2.0

ESTANE® DE-ICERS HAVE A SURFACE PLY RESISTANT TO DIESTER TYPE ENGINE OIL

DORNIER 228-200 WITHOUT OPTIONAL PRESSURE REFUELING

DORNIER 228-200 WITHOUT OPTIONAL PRESSURE REFUELING



DORNIER 228-200 WITHOUT OPTIONAL PRESSURE REFUELING

DORNIER 228-200 WITH OPTIONAL PRESSURE REFUELING

STANDARD DE-ICE BOOTS

POSITION ID	GOODRICH PART NUMBER	AIRCRAFT OEM P/N	DESCRIPTION	QTY PER AIRCRAFT	WT
1	29S-5D5138-15	K700-499	FUSELAGE-NACELLE LH DE-ICE BOOT WITH LARGE CUT OUT 5.2X7.5 IN.	1	2.2
1	29S-5D5138-19	K700-509	FUSELAGE-NACELLE LH DE-ICE BOOT WITH SMALL CUT OUT 7.5X2 IN.	1	2.2
2	29S-5D5138-18	K700-398	FUSELAGE-NACELLE RH DE-ICE BOOT	1	2.2
3	29S-5D5138-11	K700-501	NACELLE-BREAK LH DE-ICE BOOT	1	3.7
4	29S-5D5138-12	K700-500	NACELLE-BREAK RH DE-ICE BOOT	1	3.7
5	29S-5D5138-03	K700-336	BREAK-TIP LH DE-ICE BOOT	1	3.0
6	29S-5D5138-04	K700-337	BREAK-TIP RH DE-ICE BOOT	1	3.0
7	30S-5D5138-05	K700-334	HORIZONTAL STABILIZER LH (ESTANE®) DE-ICE BOOT	1	4.4
8	30S-5D5138-06	K700-335	HORIZONTAL STABILIZER RH (ESTANE®) DE-ICE BOOT	1	4.4
9	29S-5D5138-07	K700-333	VERTICAL STABILIZER (ESTANE®) DE-ICE BOOT	1	2.0

ESTANE® DE-ICERS HAVE A SURFACE PLY RESISTANT TO DIESTER TYPE ENGINE OIL

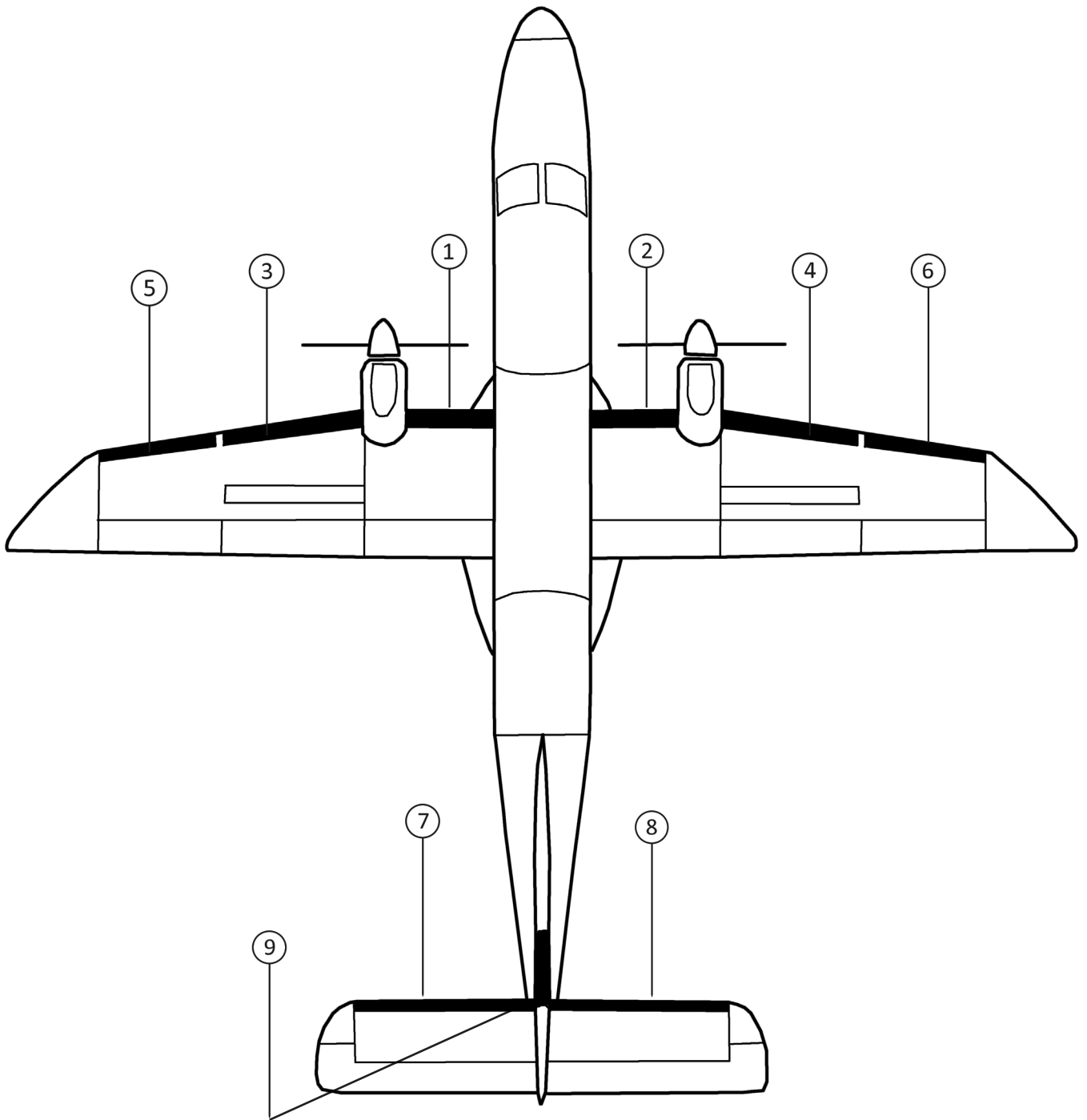
FASTboot® DE-ICE BOOTS

POSITION ID	GOODRICH PART NUMBER	AIRCRAFT OEM P/N	DESCRIPTION	QTY PER AIRCRAFT	WT
1	P29S-5D5138-15	K700-499	FASTBOOT® FUSELAGE-NACELLE LH DE-ICE BOOT WITH LARGE CUT OUT 5.2X7.5 IN.	1	2.2
1	P29S-5D5138-19	K700-509	FASTBOOT® FUSELAGE-NACELLE LH DE-ICE BOOT WITH SMALL CUT OUT 7.5X2 IN.	1	2.2
2	P29S-5D5138-18	K700-398	FASTBOOT® FUSELAGE-NACELLE RH DE-ICE BOOT	1	2.2
3	P29S-5D5138-11	K700-501	FASTBOOT® NACELLE-BREAK LH DE-ICE BOOT	1	3.7
4	P29S-5D5138-12	K700-500	FASTBOOT® NACELLE-BREAK RH DE-ICE BOOT	1	3.7
5	P29S-5D5138-03	K700-336	FASTBOOT® BREAK-TIP LH DE-ICE BOOT	1	3.0
6	P29S-5D5138-04	K700-337	FASTBOOT® BREAK-TIP RH DE-ICE BOOT	1	3.0
7	P30S-5D5138-05	K700-334	FASTBOOT® HORIZONTAL STABILIZER LH (ESTANE®) DE-ICE BOOT	1	4.4
8	P30S-5D5138-06	K700-335	FASTBOOT® HORIZONTAL STABILIZER RH (ESTANE®) DE-ICE BOOT	1	4.4
9	P29S-5D5138-07	K700-333	FASTBOOT® VERTICAL STABILIZER (ESTANE®) DE-ICE BOOT	1	2.0

ESTANE® DE-ICERS HAVE A SURFACE PLY RESISTANT TO DIESTER TYPE ENGINE OIL

DORNIER 228-200 WITH OPTIONAL PRESSURE REFUELING

DORNIER 228-200 WITH OPTIONAL PRESSURE REFUELING



DORNIER 228-200 WITH OPTIONAL PRESSURE REFUELING

DORNIER 228-201 WITHOUT OPTIONAL PRESSURE REFUELING

STANDARD DE-ICE BOOTS

POSITION ID	GOODRICH PART NUMBER	AIRCRAFT OEM P/N	DESCRIPTION	QTY PER AIRCRAFT	WT
1	29S-5D5138-15	K700-499	FUSELAGE-NACELLE LH DE-ICE BOOT WITH LARGE CUT OUT 5.2X7.5 IN.	1	2.2
1	29S-5D5138-19	K700-509	FUSELAGE-NACELLE LH DE-ICE BOOT WITH SMALL CUT OUT 7.5X2 IN.	1	2.2
2	29S-5D5138-16	K700-498	FUSELAGE-NACELLE RH DE-ICE BOOT	1	2.2
3	29S-5D5138-11	K700-501	NACELLE-BREAK LH DE-ICE BOOT	1	3.7
4	29S-5D5138-12	K700-500	NACELLE-BREAK RH DE-ICE BOOT	1	3.7
5	29S-5D5138-03	K700-336	BREAK-TIP LH DE-ICE BOOT	1	3.0
6	29S-5D5138-04	K700-337	BREAK-TIP RH DE-ICE BOOT	1	3.0
7	30S-5D5138-05	K700-334	HORIZONTAL STABILIZER LH (ESTANE®) DE-ICE BOOT	1	4.4
8	30S-5D5138-06	K700-335	HORIZONTAL STABILIZER RH (ESTANE®) DE-ICE BOOT	1	4.4
9	29S-5D5138-07	K700-333	VERTICAL STABILIZER (ESTANE®) DE-ICE BOOT	1	2.0

ESTANE® DE-ICERS HAVE A SURFACE PLY RESISTANT TO DIESTER TYPE ENGINE OIL

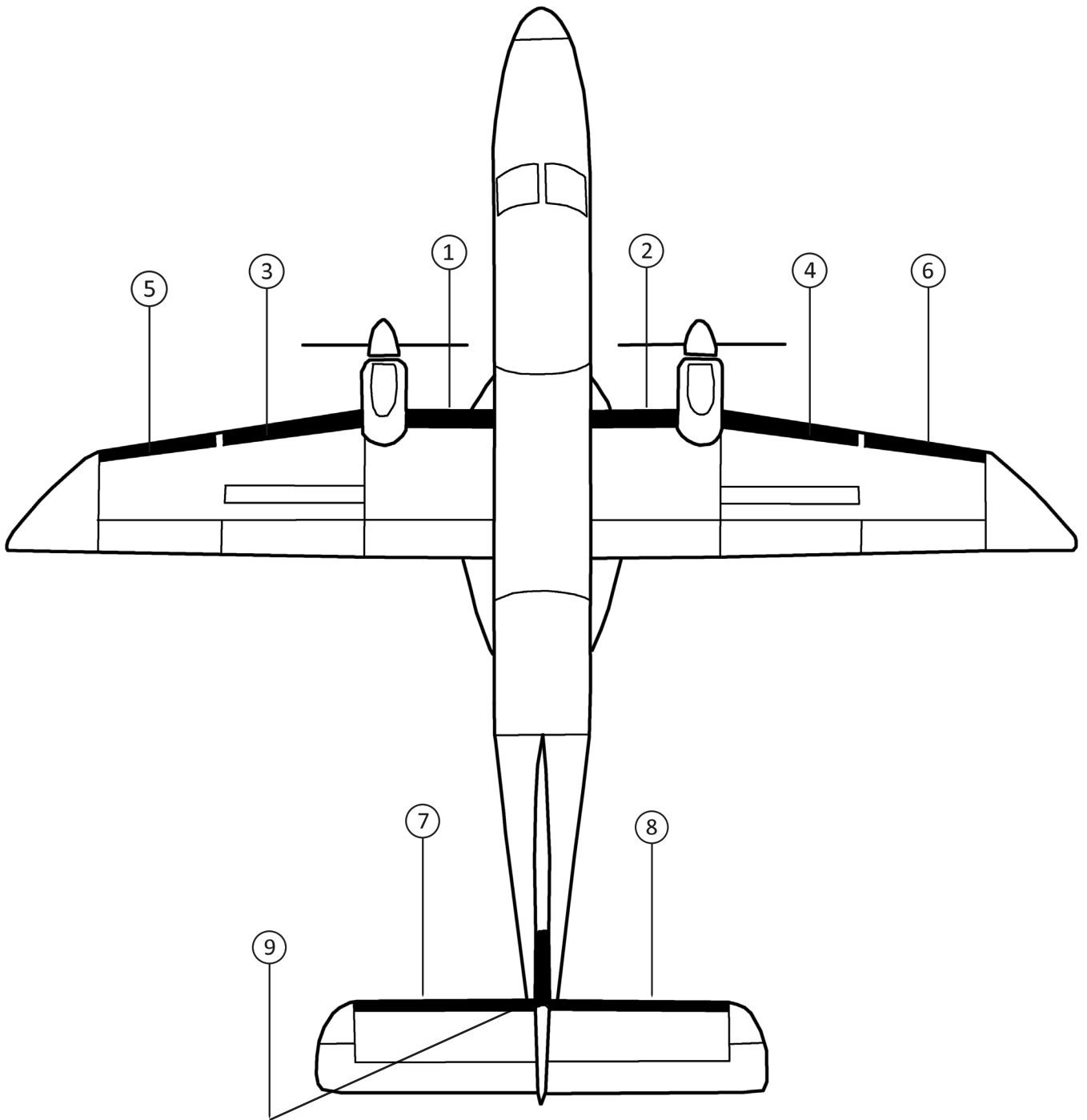
FASTboot® DE-ICE BOOTS

POSITION ID	GOODRICH PART NUMBER	AIRCRAFT OEM P/N	DESCRIPTION	QTY PER AIRCRAFT	WT
1	P29S-5D5138-15	K700-499	FASTBOOT® FUSELAGE-NACELLE LH DE-ICE BOOT WITH LARGE CUT OUT 5.2X7.5 IN.	1	2.2
1	P29S-5D5138-19	K700-509	FASTBOOT® FUSELAGE-NACELLE LH DE-ICE BOOT WITH SMALL CUT OUT 7.5X2 IN.	1	2.2
2	P29S-5D5138-16	K700-498	FASTBOOT® FUSELAGE-NACELLE RH DE-ICE BOOT	1	2.2
2	P29S-5D5138-20	K700-508	FASTBOOT® FUSELAGE-NACELLE RH DE-ICE BOOT	1	2.2
3	P29S-5D5138-11	K700-501	FASTBOOT® NACELLE-BREAK LH DE-ICE BOOT	1	3.7
4	P29S-5D5138-12	K700-500	FASTBOOT® NACELLE-BREAK RH DE-ICE BOOT	1	3.7
5	P29S-5D5138-03	K700-336	FASTBOOT® BREAK-TIP LH DE-ICE BOOT	1	3.0
6	P29S-5D5138-04	K700-337	FASTBOOT® BREAK-TIP RH DE-ICE BOOT	1	3.0
7	P30S-5D5138-05	K700-334	FASTBOOT® HORIZONTAL STABILIZER LH (ESTANE®) DE-ICE BOOT	1	4.4
8	P30S-5D5138-06	K700-335	FASTBOOT® HORIZONTAL STABILIZER RH (ESTANE®) DE-ICE BOOT	1	4.4
9	P29S-5D5138-07	K700-333	FASTBOOT® VERTICAL STABILIZER (ESTANE®) DE-ICE BOOT	1	2.0

ESTANE® DE-ICERS HAVE A SURFACE PLY RESISTANT TO DIESTER TYPE ENGINE OIL

DORNIER 228-201 WITHOUT OPTIONAL PRESSURE REFUELING

DORNIER 228-201 WITHOUT OPTIONAL PRESSURE REFUELING



DORNIER 228-201 WITHOUT OPTIONAL PRESSURE REFUELING

DORNIER 228-201 WITH OPTIONAL PRESSURE REFUELING

STANDARD DE-ICE BOOTS

POSITION ID	GOODRICH PART NUMBER	AIRCRAFT OEM P/N	DESCRIPTION	QTY PER AIRCRAFT	WT
1	29S-5D5138-15	K700-499	FUSELAGE-NACELLE LH DE-ICE BOOT WITH LARGE CUT OUT 5.2X7.5 IN.	1	2.2
1	29S-5D5138-19	K700-509	FUSELAGE-NACELLE LH DE-ICE BOOT WITH SMALL CUT OUT 7.5X2 IN.	1	2.2
2	29S-5D5138-18	K700-398	FUSELAGE-NACELLE RH DE-ICE BOOT	1	2.2
3	29S-5D5138-11	K700-501	NACELLE-BREAK LH DE-ICE BOOT	1	3.7
4	29S-5D5138-12	K700-500	NACELLE-BREAK RH DE-ICE BOOT	1	3.7
5	29S-5D5138-03	K700-336	BREAK-TIP LH DE-ICE BOOT	1	3.0
6	29S-5D5138-04	K700-337	BREAK-TIP RH DE-ICE BOOT	1	3.0
7	30S-5D5138-05	K700-334	HORIZONTAL STABILIZER LH (ESTANE®) DE-ICE BOOT	1	4.4
8	30S-5D5138-06	K700-335	HORIZONTAL STABILIZER RH (ESTANE®) DE-ICE BOOT	1	4.4
9	29S-5D5138-07	K700-333	VERTICAL STABILIZER (ESTANE®) DE-ICE BOOT	1	2.0

ESTANE® DE-ICERS HAVE A SURFACE PLY RESISTANT TO DIESTER TYPE ENGINE OIL

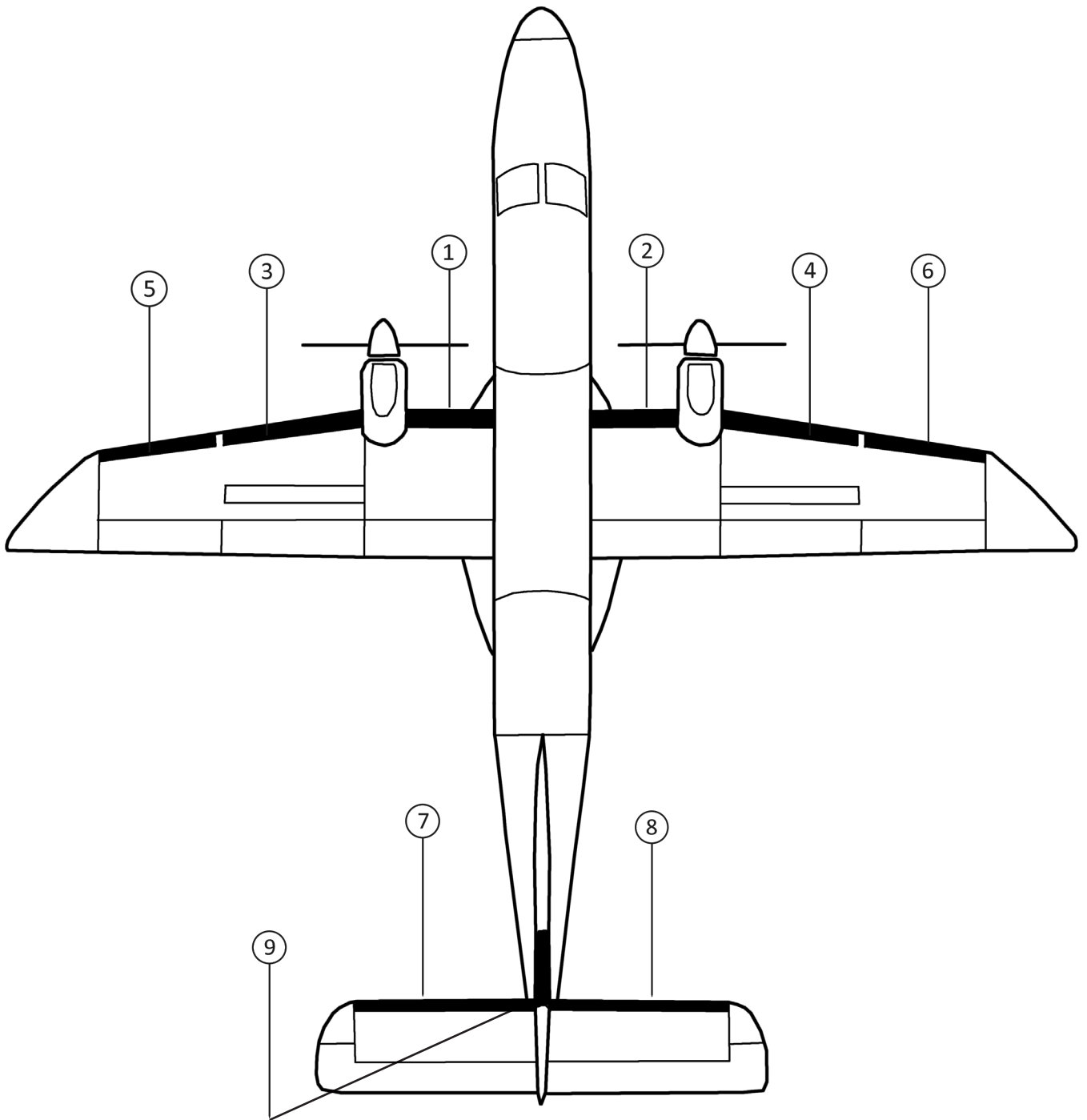
FASTboot® DE-ICE BOOTS

POSITION ID	GOODRICH PART NUMBER	AIRCRAFT OEM P/N	DESCRIPTION	QTY PER AIRCRAFT	WT
1	P29S-5D5138-15	K700-499	FASTBOOT® FUSELAGE-NACELLE LH DE-ICE BOOT WITH LARGE CUT OUT 5.2X7.5 IN.	1	2.2
1	P29S-5D5138-19	K700-509	FASTBOOT® FUSELAGE-NACELLE LH DE-ICE BOOT WITH SMALL CUT OUT 7.5X2 IN.	1	2.2
2	P29S-5D5138-18	K700-398	FASTBOOT® FUSELAGE-NACELLE RH DE-ICE BOOT	1	2.2
2	P29S-5D5138-20	K700-508	FASTBOOT® FUSELAGE-NACELLE RH DE-ICE BOOT	1	2.2
3	P29S-5D5138-11	K700-501	FASTBOOT® NACELLE-BREAK LH DE-ICE BOOT	1	3.7
4	P29S-5D5138-12	K700-500	FASTBOOT® NACELLE-BREAK RH DE-ICE BOOT	1	3.7
5	P29S-5D5138-03	K700-336	FASTBOOT® BREAK-TIP LH DE-ICE BOOT	1	3.0
6	P29S-5D5138-04	K700-337	FASTBOOT® BREAK-TIP RH DE-ICE BOOT	1	3.0
7	P30S-5D5138-05	K700-334	FASTBOOT® HORIZONTAL STABILIZER LH (ESTANE®) DE-ICE BOOT	1	4.4
8	P30S-5D5138-06	K700-335	FASTBOOT® HORIZONTAL STABILIZER RH (ESTANE®) DE-ICE BOOT	1	4.4
9	P29S-5D5138-07	K700-333	FASTBOOT® VERTICAL STABILIZER (ESTANE®) DE-ICE BOOT	1	2.0

ESTANE® DE-ICERS HAVE A SURFACE PLY RESISTANT TO DIESTER TYPE ENGINE OIL

DORNIER 228-201 WITH OPTIONAL PRESSURE REFUELING

DORNIER 228-201 WITH OPTIONAL PRESSURE REFUELING



DORNIER 228-201 WITH OPTIONAL PRESSURE REFUELING

DORNIER 328-100 (TURBOPROP)

STANDARD DE-ICE BOOTS

POSITION ID	GOODRICH PART NUMBER	AIRCRAFT OEM P/N	DESCRIPTION	QTY PER AIRCRAFT	WT
1	29S-7D5240-45		INBOARD WING LH DE-ICE BOOT	1	6.1
2	29S-7D5240-46		INBOARD WING RH DE-ICE BOOT	1	6.1
3	29S-7D5240-03		MIDDLE WING LH DE-ICE BOOT	1	7.9
4	29S-7D5240-04		MIDDLE WING RH DE-ICE BOOT	1	7.9
5	29S-7D5240-01		OUTBOARD WING LH DE-ICE BOOT	1	5.6
6	29S-7D5240-02		OUTBOARD WING RH DE-ICE BOOT	1	5.6
7	29S-7D5240-35		INNER HORIZONTAL STABILIZER LH (ESTANE®) DE-ICE BOOT	1	0.4
8	29S-7D5240-36		INNER HORIZONTAL STABILIZER RH (ESTANE®) DE-ICE BOOT	1	0.4
9	29S-7D5240-07		HORIZONTAL STABILIZER LH (ESTANE®) DE-ICE BOOT	1	7.1
10	29S-7D5240-08		HORIZONTAL STABILIZER RH (ESTANE®) DE-ICE BOOT	1	7.1
11	29S-7D5240-33		VERTICAL STABILIZER TIP (ESTANE®) DE-ICE BOOT	1	1.7
12	29S-7D5240-47		VERTICAL STABILIZER (ESTANE®) DE-ICE BOOT	1	4.0
13	29S-5D5240-213		ENGINE INLET LIP EXTENSION DE-ICE BOOT	2	3.2
14	29S-5D5240-233		ENGINE BYPASS DUCT DE-ICE BOOT	2	1.3
15	29S-5D5240-253		ENGINE AFT RAMP DE-ICE BOOT	2	1.0

ESTANE® DE-ICERS HAVE A SURFACE PLY RESISTANT TO DIESTER TYPE ENGINE OIL

OPTIONAL STANDARD DE-ICE BOOTS

POSITION ID	GOODRICH PART NUMBER	AIRCRAFT OEM P/N	DESCRIPTION	QTY PER AIRCRAFT	WT
12	29S-7D5240-09		VERTICAL STABILIZER (ESTANE®) DE-ICE BOOT (CHECK AIRCRAFT APPLICABILITY)	1	4.0

ESTANE® DE-ICERS HAVE A SURFACE PLY RESISTANT TO DIESTER TYPE ENGINE OIL

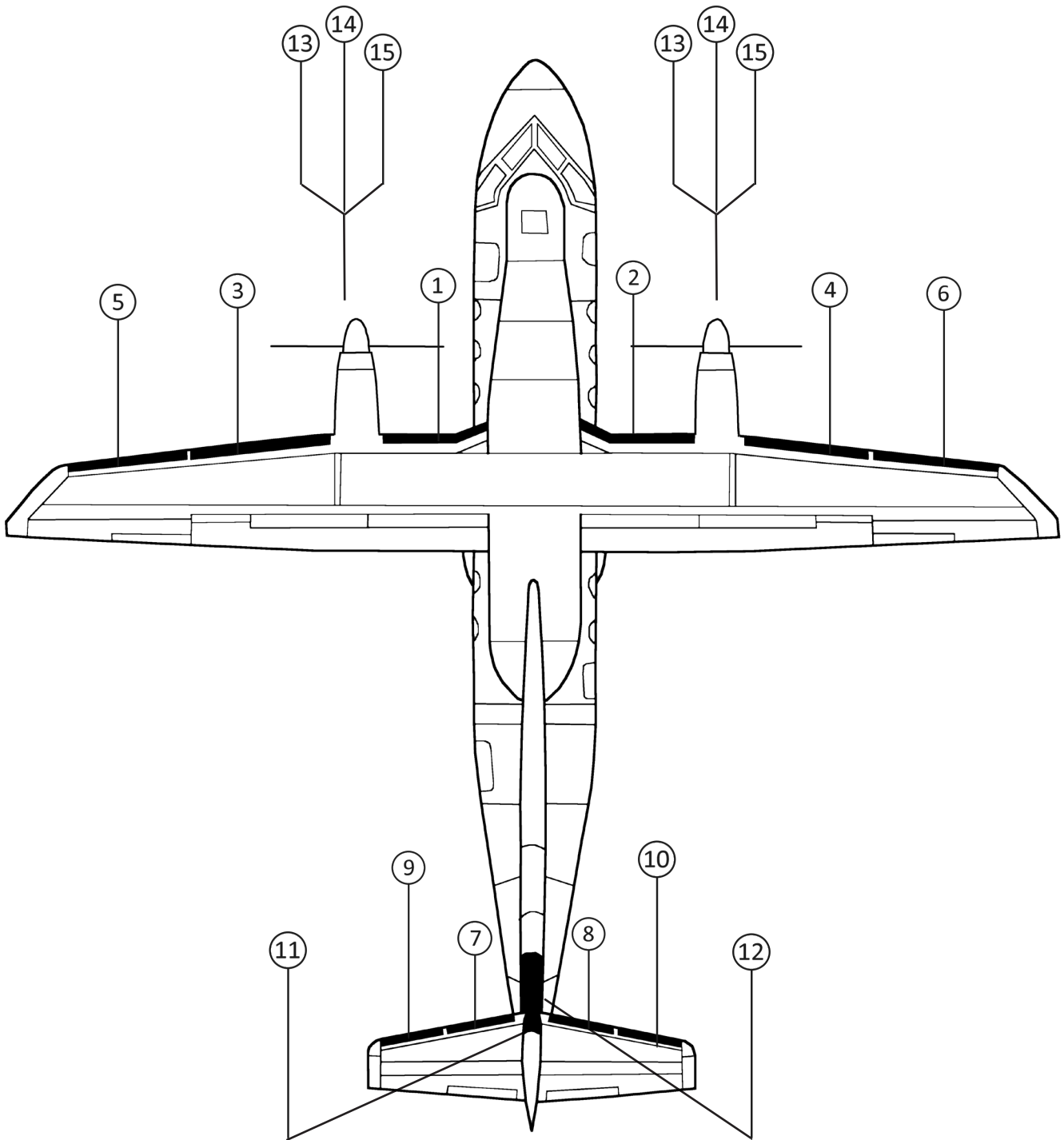
FASTboot® DE-ICE BOOTS

POSITION ID	GOODRICH PART NUMBER	AIRCRAFT OEM P/N	DESCRIPTION	QTY PER AIRCRAFT	WT
3	P29S-7D5240-03		FASTBOOT® MIDDLE WING LH DE-ICE BOOT	1	7.9
4	P29S-7D5240-04		FASTBOOT® MIDDLE WING RH DE-ICE BOOT	1	7.9
5	P29S-7D5240-01		FASTBOOT® OUTBOARD WING LH DE-ICE BOOT	1	5.6

(CONTINUED ON PAGE 372)

DORNIER 328-100 (TURBOPROP)

DORNIER 328-100 (TURBOPROP)



DORNIER 328-100 (TURBOPROP)

DORNIER 328-100 (TURBOPROP)

FASTboot® DE-ICE BOOTS (CONTINUED)

POSITION ID	GOODRICH PART NUMBER	AIRCRAFT OEM P/N	DESCRIPTION	QTY PER AIRCRAFT	WT
6	P29S-7D5240-02		FASTBOOT® OUTBOARD WING RH DE-ICE BOOT	1	5.6
7	P29S-7D5240-35		FASTBOOT® INNER HORIZONTAL STABILIZER LH (ESTANE®) DE-ICE BOOT	1	0.4
8	P29S-7D5240-36		FASTBOOT® INNER HORIZONTAL STABILIZER RH (ESTANE®) DE-ICE BOOT	1	0.4
9	P29S-7D5240-07		FASTBOOT® HORIZONTAL STABILIZER LH (ESTANE®) DE-ICE BOOT	1	7.1
10	P29S-7D5240-08		FASTBOOT® HORIZONTAL STABILIZER RH (ESTANE®) DE-ICE BOOT	1	7.1
11	P29S-7D5240-33		FASTBOOT® VERTICAL STABILIZER TIP (ESTANE®) DE-ICE BOOT	1	1.7
12	P29S-7D5240-47		FASTBOOT® VERTICAL STABILIZER (ESTANE®) DE-ICE BOOT	1	4.0

ESTANE® DE-ICERS HAVE A SURFACE PLY RESISTANT TO DIESTER TYPE ENGINE OIL

OPTIONAL FASTboot® DE-ICE BOOTS

POSITION ID	GOODRICH PART NUMBER	AIRCRAFT OEM P/N	DESCRIPTION	QTY PER AIRCRAFT	WT
11	P29S-7D5240-09		FASTBOOT® VERTICAL STABILIZER (ESTANE®) DE-ICE BOOT (CHECK AIRCRAFT APPLICABILITY)	1	4.0

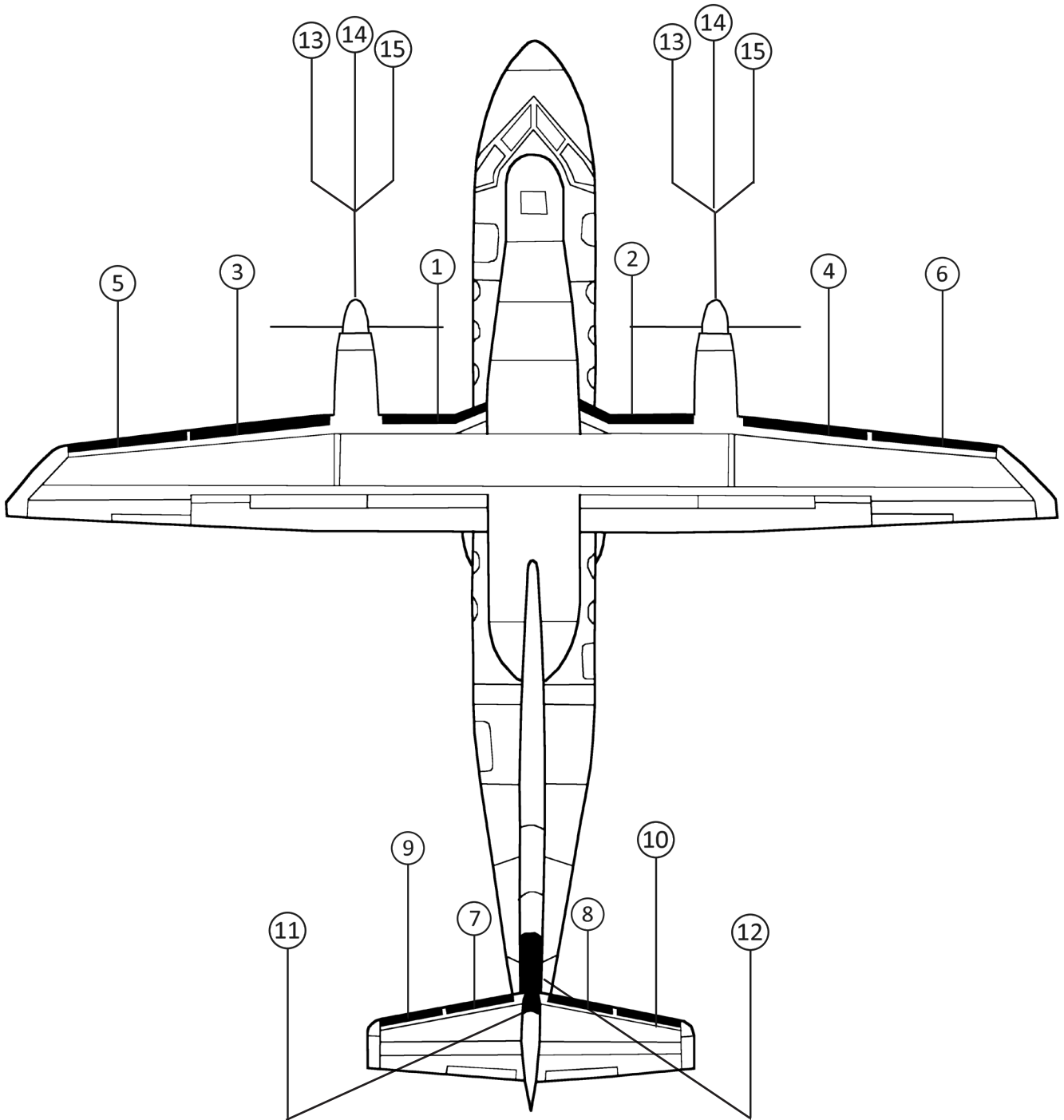
SILVERboot™ DE-ICE BOOTS

POSITION ID	GOODRICH PART NUMBER	AIRCRAFT OEM P/N	DESCRIPTION	QTY PER AIRCRAFT	WT
1	S29S-7D5240-79		INBOARD WING LH SILVERBOOT™ DE-ICE BOOT	1	7.0
2	S29S-7D5240-80		INBOARD WING RH SILVERBOOT™ DE-ICE BOOT	1	7.0
3	S29S-7D5240-73		MIDDLE WING LH SILVERBOOT™ DE-ICE BOOT	1	9.0
4	S29S-7D5240-74		MIDDLE WING RH SILVERBOOT™ DE-ICE BOOT	1	9.0
5	S29S-7D5240-71		OUTBOARD WING LH SILVERBOOT™ DE-ICE BOOT	1	6.4
6	S29S-7D5240-72		OUTBOARD WING RH SILVERBOOT™ DE-ICE BOOT	1	6.4
7	S29S-7D5240-89		INNER HORIZONTAL STABILIZER LH SILVERBOOT™ DE-ICE BOOT	1	0.5

(CONTINUED ON PAGE 374)

DORNIER 328-100 (TURBOPROP)

DORNIER 328-100 (TURBOPROP)



DORNIER 328-100 (TURBOPROP)
SILVERboot™ DE-ICE BOOTS (CONTINUED)

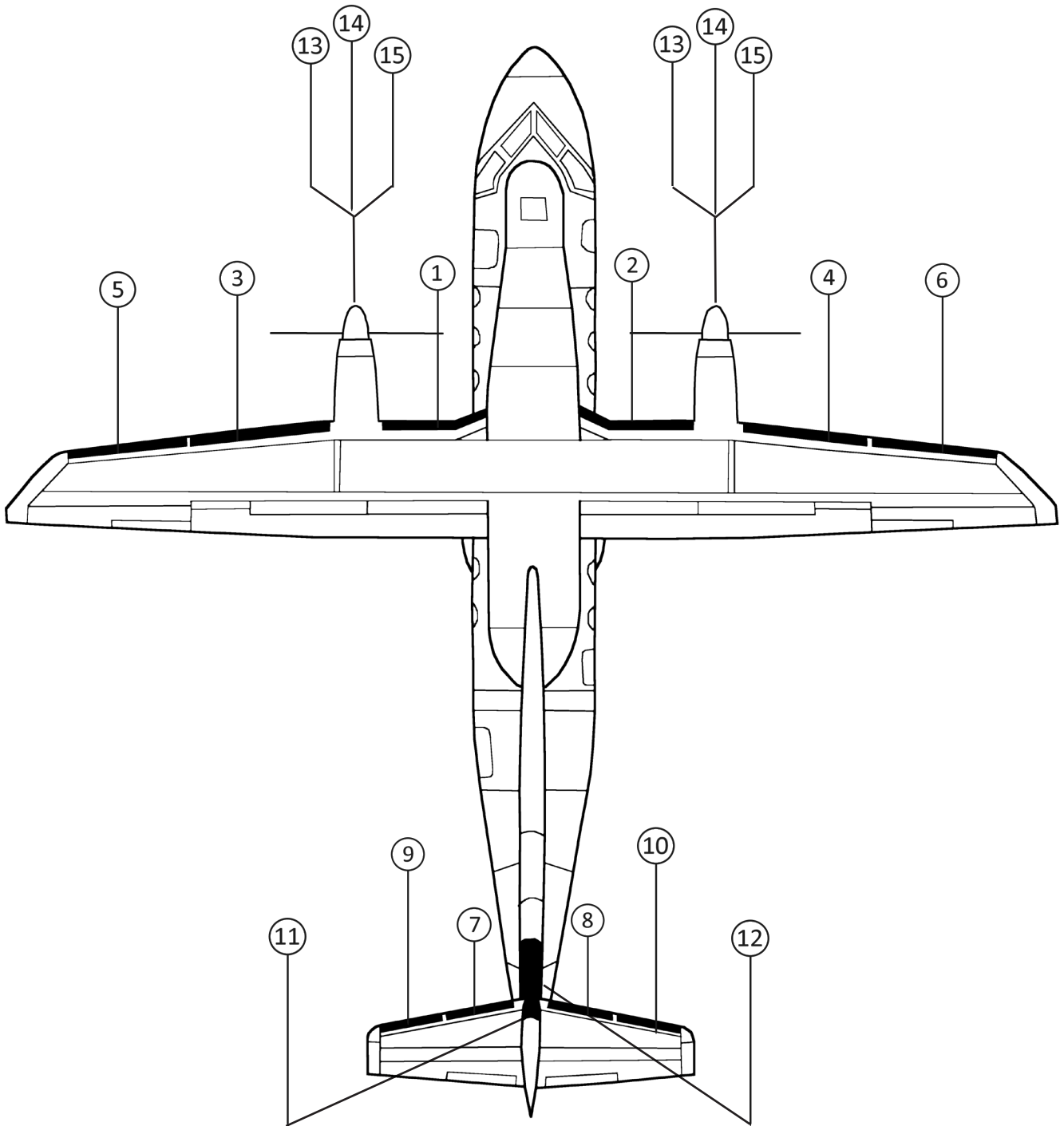
POSITION ID	GOODRICH PART NUMBER	AIRCRAFT OEM P/N	DESCRIPTION	QTY PER AIRCRAFT	WT
8	S29S-7D5240-90		INNER HORIZONTAL STABILIZER RH SILVERBOOT™ DE-ICE BOOT	1	0.5
9	S29S-7D5240-91		HORIZONTAL STABILIZER LH SILVERBOOT™ DE-ICE BOOT	1	7.5
10	S29S-7D5240-92		HORIZONTAL STABILIZER RH SILVERBOOT™ DE-ICE BOOT	1	7.5
11	S29S-7D5240-93		VERTICAL STABILIZER TIP SILVERBOOT™ DE-ICE BOOT	1	1.8
12	S29S-7D5240-83		VERTICAL STABILIZER SILVERBOOT™ DE-ICE BOOT	1	4.2

SILVERboot™ / FASTboot® DE-ICE BOOTS

POSITION ID	GOODRICH PART NUMBER	AIRCRAFT OEM P/N	DESCRIPTION	QTY PER AIRCRAFT	WT
3	PS29S-7D5240-73		MIDDLE WING LH SILVERBOOT™ DE-ICE BOOT (FASTBOOT®)	1	9.0
4	PS29S-7D5240-74		MIDDLE WING RH SILVERBOOT™ DE-ICE BOOT (FASTBOOT®)	1	9.0
5	PS29S-7D5240-71		OUTBOARD WING LH SILVERBOOT™ DE-ICE BOOT (FASTBOOT®)	1	6.4
6	PS29S-7D5240-72		OUTBOARD WING RH SILVERBOOT™ DE-ICE BOOT (FASTBOOT®)	1	6.4
7	PS29S-7D5240-89		INNER HORIZONTAL STABILIZER LH SILVERBOOT™ DE-ICE BOOT (FASTBOOT®)	1	0.5
8	PS29S-7D5240-90		INNER HORIZONTAL STABILIZER RH SILVERBOOT™ DE-ICE BOOT (FASTBOOT®)	1	0.5
9	PS29S-7D5240-91		HORIZONTAL STABILIZER LH SILVERBOOT™ DE-ICE BOOT (FASTBOOT®)	1	7.5
10	PS29S-7D5240-92		HORIZONTAL STABILIZER RH SILVERBOOT™ DE-ICE BOOT (FASTBOOT®)	1	7.5
11	PS29S-7D5240-93		VERTICAL STABILIZER TIP SILVERBOOT™ DE-ICE BOOT (FASTBOOT®)	1	1.8
12	PS29S-7D5240-83		VERTICAL STABILIZER SILVERBOOT™ DE-ICE BOOT (FASTBOOT®)	1	4.2

DORNIER 328-100 (TURBOPROP)

DORNIER 328-100 (TURBOPROP)



DORNIER 328-100 (TURBOPROP)

DORNIER 328-300 (JET)
STANDARD DE-ICE BOOTS

POSITION ID	GOODRICH PART NUMBER	AIRCRAFT OEM P/N	DESCRIPTION	QTY PER AIRCRAFT	WT
1	29S-7D5240-45		INBOARD WING LH DE-ICE BOOT	1	6.2
2	29S-7D5240-46		INBOARD WING RH DE-ICE BOOT	1	6.2
3	29S-7D5240-03		MIDDLE WING LH DE-ICE BOOT	1	7.9
4	29S-7D5240-04		MIDDLE WING RH DE-ICE BOOT	1	7.9
5	29S-7D5240-01		OUTBOARD WING LH DE-ICE BOOT	1	5.6
6	29S-7D5240-02		OUTBOARD WING RH DE-ICE BOOT	1	5.6
7	29S-7D5240-35		INNER HORIZONTAL STABILIZER LH (ESTANE®) DE-ICE BOOT	1	0.4
8	29S-7D5240-36		INNER HORIZONTAL STABILIZER RH (ESTANE®) DE-ICE BOOT	1	0.4
9	29S-7D5240-07		HORIZONTAL STABILIZER LH (ESTANE®) DE-ICE BOOT	1	7.1
10	29S-7D5240-08		HORIZONTAL STABILIZER RH (ESTANE®) DE-ICE BOOT	1	7.1
11	29S-7D5240-57		UPPER VERTICAL STABILIZER (ESTANE®) DE-ICE BOOT	1	1.7
12	29S-7D5240-47		VERTICAL STABILIZER (ESTANE®) DE-ICE BOOT	1	4.0
13	29S-7D5240-49		INBOARD NACELLE LH DE-ICE BOOT	1	1.3
14	29S-7D5240-50		INBOARD NACELLE RH DE-ICE BOOT	1	1.3
15	29S-7D5240-51		OUTBOARD NACELLE LH DE-ICE BOOT	1	1.4
16	29S-7D5240-52		OUTBOARD NACELLE RH DE-ICE BOOT	1	1.4

ESTANE® DE-ICERS HAVE A SURFACE PLY RESISTANT TO DIESTER TYPE ENGINE OIL

FASTboot® DE-ICE BOOTS

POSITION ID	GOODRICH PART NUMBER	AIRCRAFT OEM P/N	DESCRIPTION	QTY PER AIRCRAFT	WT
3	P29S-7D5240-73		FASTBOOT® MIDDLE WING LH DE-ICE BOOT	1	9.0
4	P29S-7D5240-74		FASTBOOT® MIDDLE WING RH DE-ICE BOOT	1	9.0
5	P29S-7D5240-71		FASTBOOT® OUTBOARD WING LH DE-ICE BOOT	1	6.4
6	P29S-7D5240-72		FASTBOOT® OUTBOARD WING RH DE-ICE BOOT	1	6.4
7	P29S-7D5240-89		FASTBOOT® INNER HORIZONTAL STABILIZER LH DE-ICE BOOT	1	0.5
8	P29S-7D5240-90		FASTBOOT® INNER HORIZONTAL STABILIZER RH DE-ICE BOOT	1	0.5
9	P29S-7D5240-91		FASTBOOT® HORIZONTAL STABILIZER LH DE-ICE BOOT	1	7.5
10	P29S-7D5240-92		FASTBOOT® HORIZONTAL STABILIZER RH DE-ICE BOOT	1	7.5

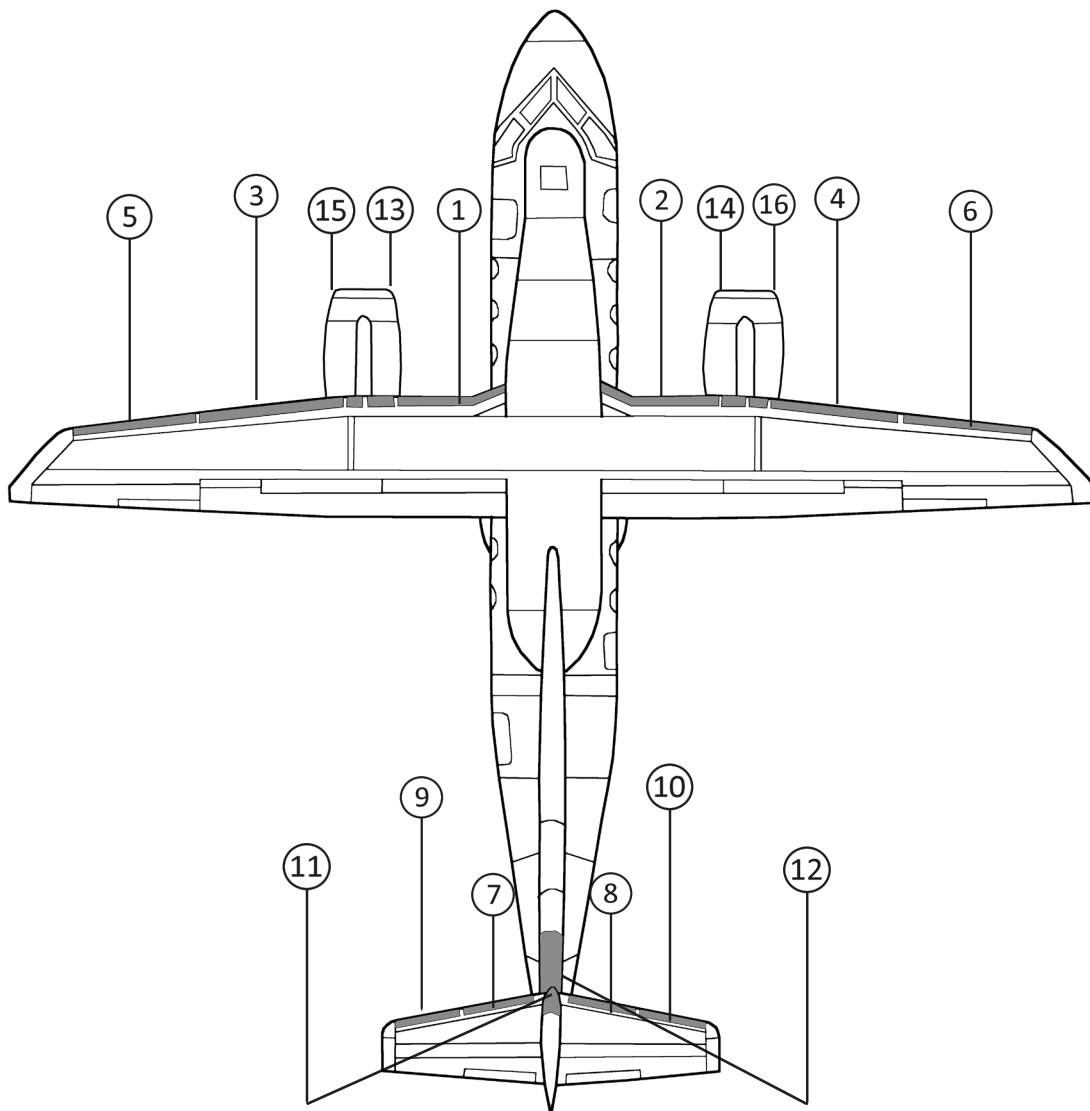
DORNIER 328-300 (JET)

DORNIER 328-300 (JET)

FASTboot® DE-ICE BOOTS (CONTINUED)

POSITION ID	GOODRICH PART NUMBER	AIRCRAFT OEM P/N	DESCRIPTION	QTY PER AIRCRAFT	WT
11	P29S-7D5240-95		FASTBOOT® VERTICAL STABILIZER TIP DE-ICE BOOT	1	1.8
12	P29S-7D5240-83		FASTBOOT® VERTICAL STABILIZER DE-ICE BOOT	1	4.2
13	P29S-7D5240-75		FASTBOOT® INBOARD NACELLE LH DE-ICE BOOT	1	1.5
14	P29S-7D5240-76		FASTBOOT® INBOARD NACELLE RH DE-ICE BOOT	1	1.5
15	P29S-7D5240-77		FASTBOOT® OUTBOARD NACELLE LH DE-ICE BOOT	1	1.51
16	P29S-7D5240-78		FASTBOOT® OUTBOARD NACELLE RH DE-ICE BOOT	1	1.51

(CONTINUED ON PAGE 378)



DORNIER 328-300 (JET)

DORNIER 328-300 (JET)
SILVERboot™ DE-ICE BOOTS

POSITION ID	GOODRICH PART NUMBER	AIRCRAFT OEM P/N	DESCRIPTION	QTY PER AIRCRAFT	WT
1	S29S-7D5240-79		INBOARD WING LH SILVERBOOT™ DE-ICE BOOT	1	7.0
2	S29S-7D5240-80		INBOARD WING RH SILVERBOOT™ DE-ICE BOOT	1	7.0
3	S29S-7D5240-73		MIDDLE WING LH SILVERBOOT™ DE-ICE BOOT	1	9.0
4	S29S-7D5240-74		MIDDLE WING RH SILVERBOOT™ DE-ICE BOOT	1	9.0
5	S29S-7D5240-71		OUTBOARD WING LH SILVERBOOT™ DE-ICE BOOT	1	6.4
6	S29S-7D5240-72		OUTBOARD WING RH SILVERBOOT™ DE-ICE BOOT	1	6.4
7	S29S-7D5240-89		INNER HORIZONTAL STABILIZER LH SILVERBOOT™ DE-ICE BOOT	1	0.5
8	S29S-7D5240-90		INNER HORIZONTAL STABILIZER RH SILVERBOOT™ DE-ICE BOOT	1	0.5
9	S29S-7D5240-91		HORIZONTAL STABILIZER LH SILVERBOOT™ DE-ICE BOOT	1	7.5
10	S29S-7D5240-92		HORIZONTAL STABILIZER RH SILVERBOOT™ DE-ICE BOOT	1	7.5
11	S29S-7D5240-95		VERTICAL STABILIZER TIP SILVERBOOT™ DE-ICE BOOT	1	1.8
12	S29S-7D5240-83		VERTICAL STABILIZER SILVERBOOT™ DE-ICE BOOT	1	4.2
13	S29S-7D5240-75		INBOARD NACELLE LH SILVERBOOT™ DE-ICE BOOT	1	1.5
14	S29S-7D5240-76		INBOARD NACELLE RH SILVERBOOT™ DE-ICE BOOT	1	1.5
15	S29S-7D5240-77		OUTBOARD NACELLE LH SILVERBOOT™ DE-ICE BOOT	1	1.5
16	S29S-7D5240-78		OUTBOARD NACELLE RH SILVERBOOT™ DE-ICE BOOT	1	1.5

DORNIER 328-300 (JET)

DORNIER 328-300 (JET)

DORNIER 328-300 (JET)

