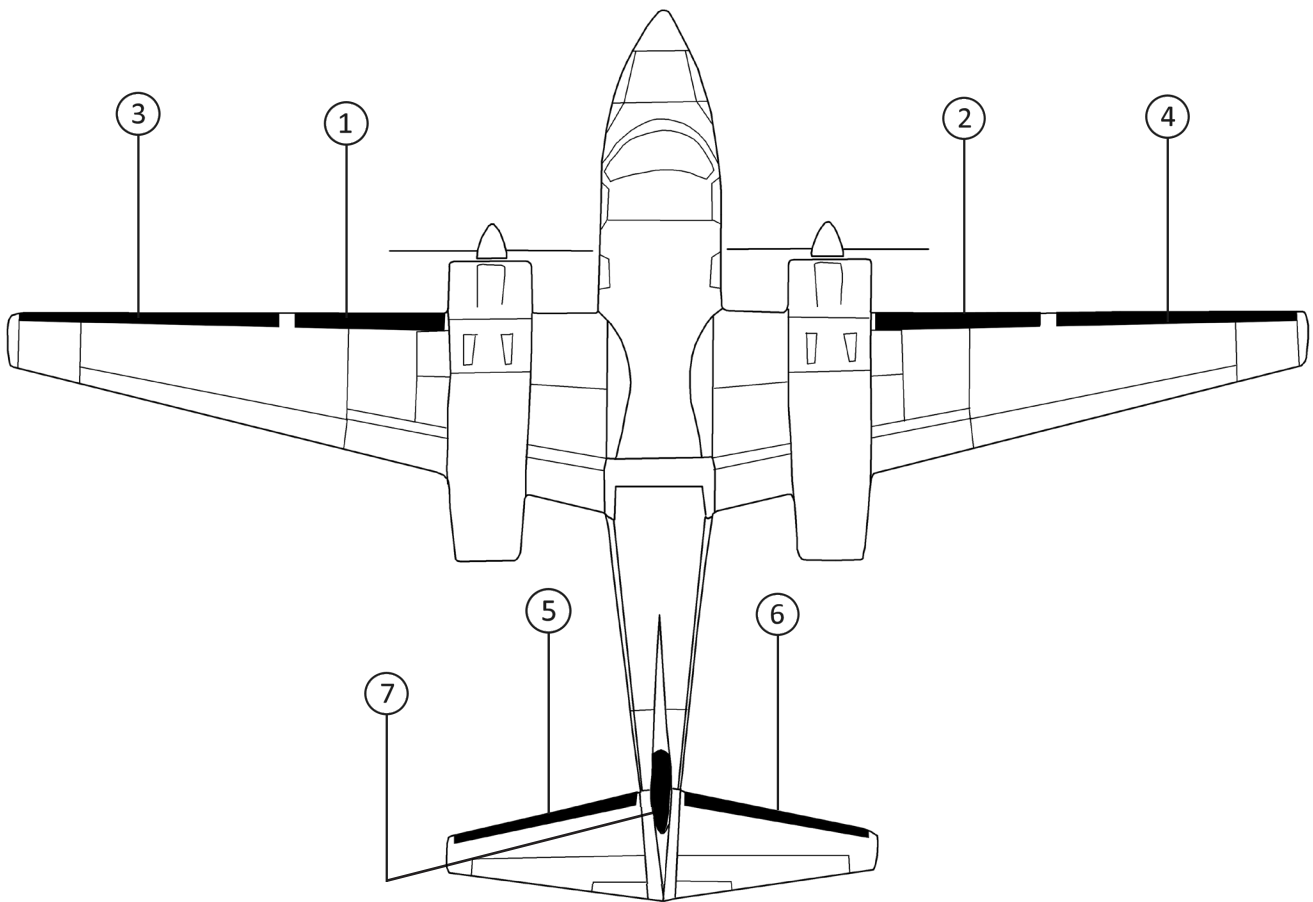


TWIN COMMANDER 500 (WITHOUT LIGHT)

STANDARD DE-ICE BOOTS

POSITION ID	GOODRICH PART NUMBER	AIRCRAFT OEM P/N	DESCRIPTION	QTY PER AIRCRAFT	WT
1	23S-2015-1-1		NACELLE-BREAK LH DE-ICE BOOT	1	2.6
2	23S-2015-1-2		NACELLE-BREAK RH DE-ICE BOOT	1	2.5
3	23S-2015-8-1		BREAK-TIP LH DE-ICE BOOT	1	3.5
4	23S-2015-9-2		BREAK-TIP RH DE-ICE BOOT	1	3.5
5	23S-2015-3-1		HORIZONTAL STABILIZER LH DE-ICE BOOT	1	2.4
6	23S-2015-3-2		HORIZONTAL STABILIZER RH DE-ICE BOOT	1	2.4
7	23S-2015-7-1		VERTICAL STABILIZER DE-ICE BOOT	1	2.4

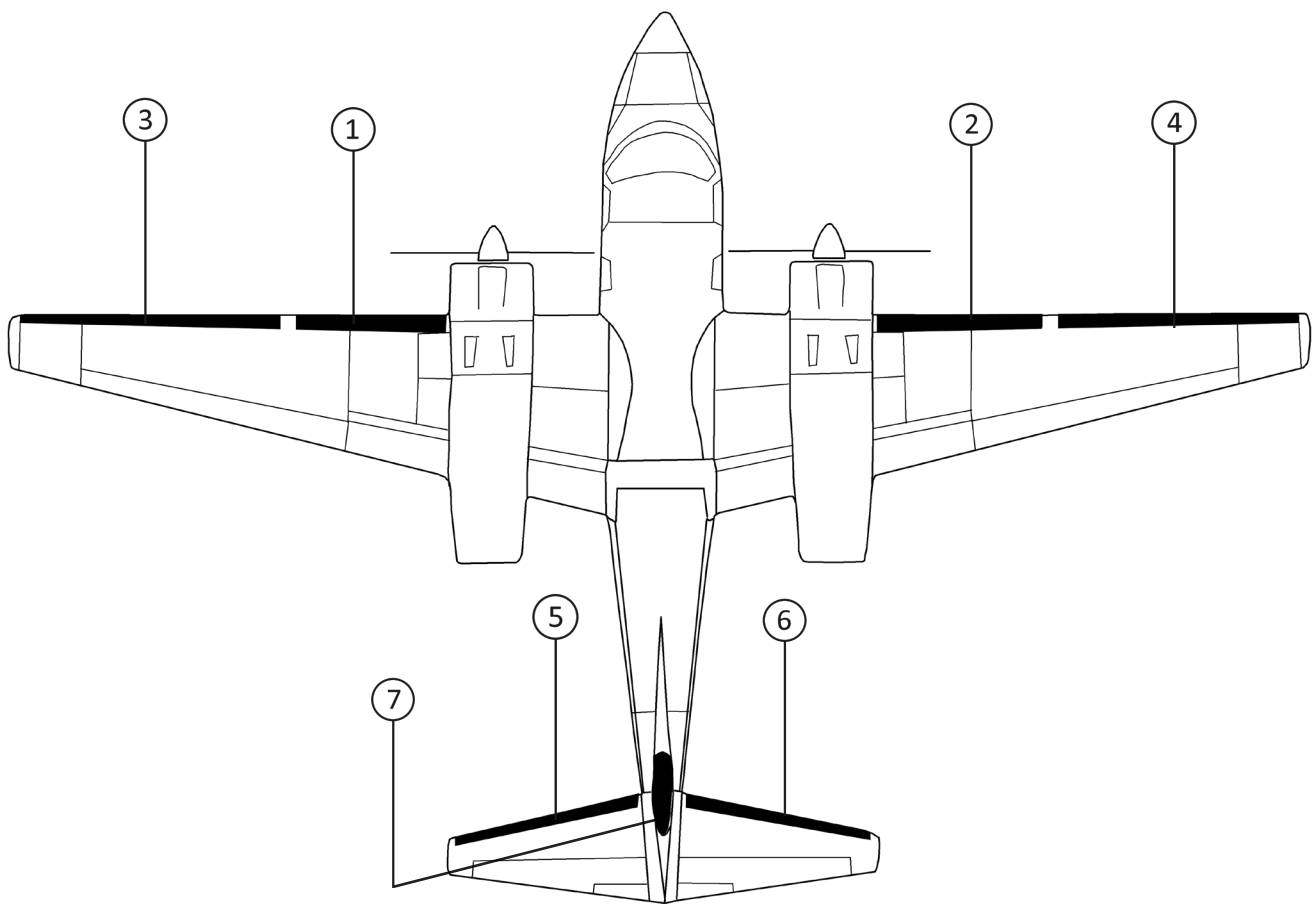
TWIN COMMANDER 500 (WITHOUT LIGHT)



TWIN COMMANDER 500 (WITH LIGHT)

STANDARD DE-ICE BOOTS

POSITION ID	GOODRICH PART NUMBER	AIRCRAFT OEM P/N	DESCRIPTION	QTY PER AIRCRAFT	WT
1	23S-2015-5-1		NACELLE-BREAK LH DE-ICE BOOT (ALLOWS FOR LIFT TRANSDUCER)	1	2.5
2	23S-2015-1-2		NACELLE-BREAK RH DE-ICE BOOT	1	2.5
3	23S-2015-9-1		BREAK-TIP LH DE-ICE BOOT (ALLOWS FOR LIFT TRANSDUCER)	1	3.5
4	23S-2015-9-2		BREAK-TIP RH DE-ICE BOOT	1	3.5
5	23S-2015-3-1		HORIZONTAL STABILIZER LH DE-ICE BOOT	1	2.4
6	23S-2015-3-2		HORIZONTAL STABILIZER RH DE-ICE BOOT	1	2.4
7	23S-2015-7-1		VERTICAL STABILIZER DE-ICE BOOT	1	2.4

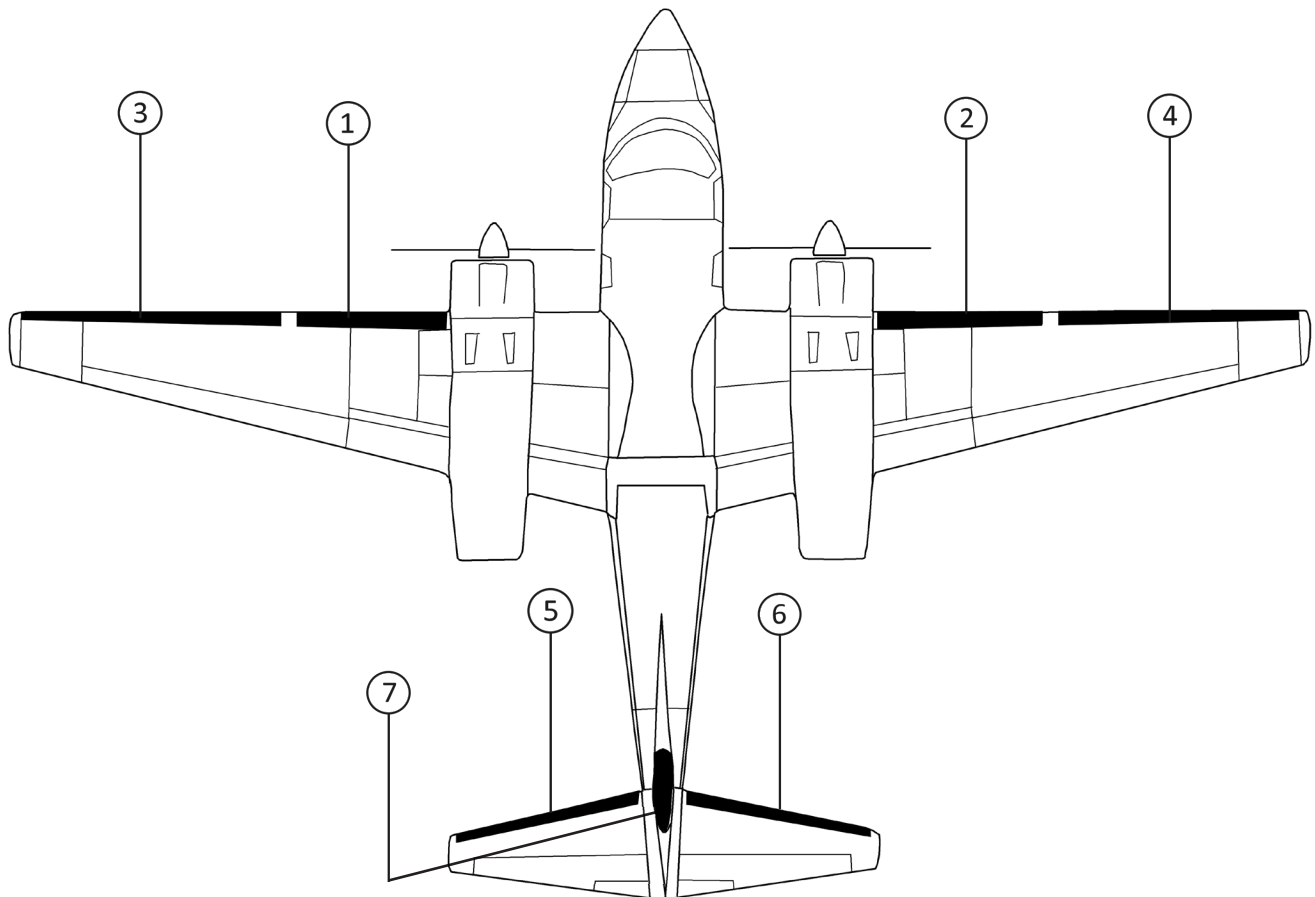


TWIN COMMANDER 500 (WITH LIGHT)

TWIN COMMANDER 500A (WITHOUT LIFT TRANSDUCER)

STANDARD DE-ICE BOOTS

POSITION ID	GOODRICH PART NUMBER	AIRCRAFT OEM P/N	DESCRIPTION	QTY PER AIRCRAFT	WT
1	23S-2015-12-1		NACELLE-BREAK LH DE-ICE BOOT	1	2.5
2	23S-2015-12-2		NACELLE-BREAK RH DE-ICE BOOT	1	2.4
3	23S-2015-8-1		BREAK-TIP LH DE-ICE BOOT	1	3.5
4	23S-2015-9-2		BREAK-TIP RH DE-ICE BOOT	1	3.5
5	23S-2015-3-1		HORIZONTAL STABILIZER LH DE-ICE BOOT	1	2.4
6	23S-2015-3-2		HORIZONTAL STABILIZER RH DE-ICE BOOT	1	2.4
7	23S-2015-7-1		VERTICAL STABILIZER DE-ICE BOOT	1	2.4

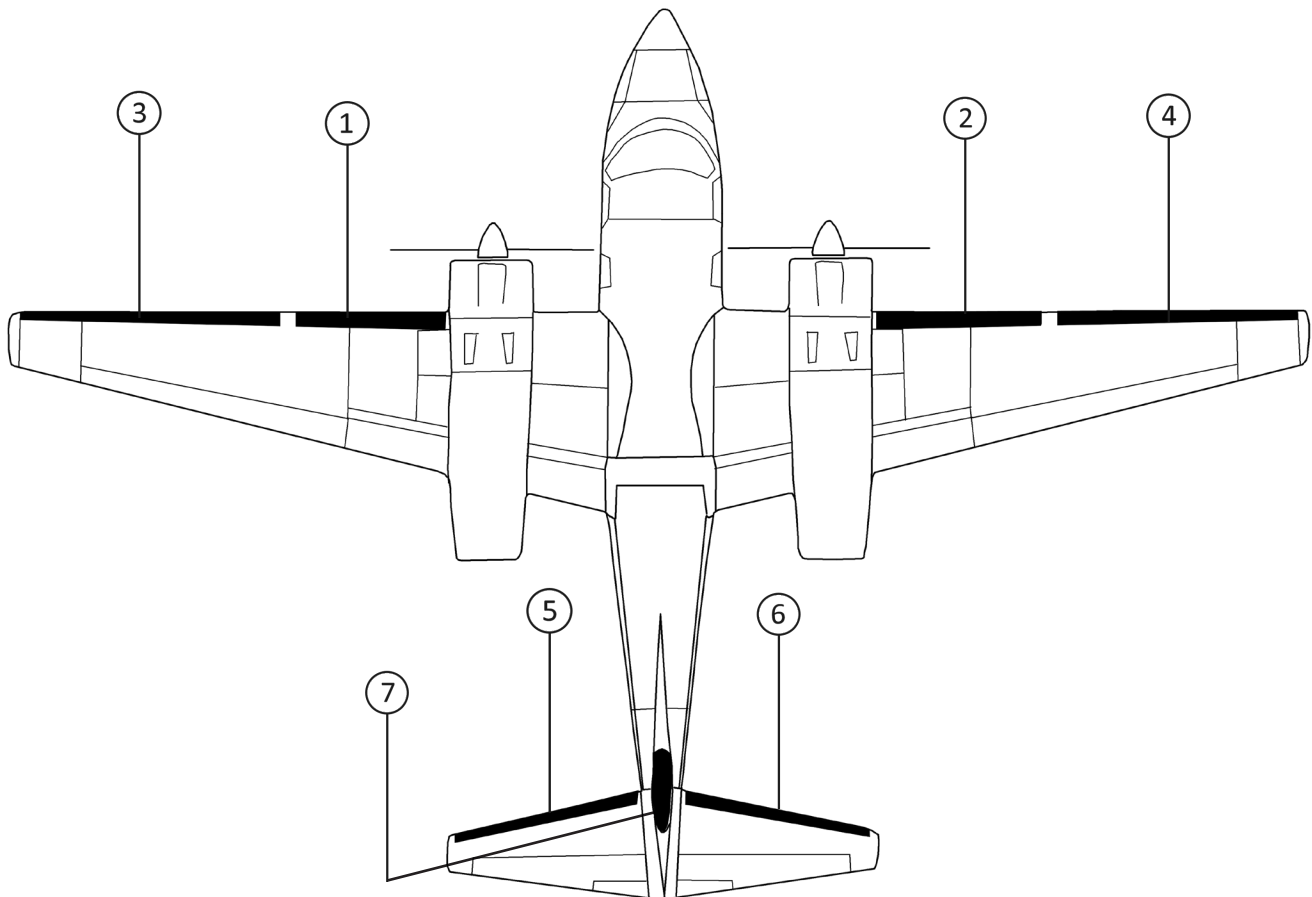


TWIN COMMANDER 500A (WITHOUT LIFT TRANSDUCER)

TWIN COMMANDER 500A (WITH LIFT TRANSDUCER)

STANDARD DE-ICE BOOTS

POSITION ID	GOODRICH PART NUMBER	AIRCRAFT OEM P/N	DESCRIPTION	QTY PER AIRCRAFT	WT
1	23S-2015-13-1		NACELLE-BREAK LH DE-ICE BOOT	1	2.4
2	23S-2015-12-2		NACELLE-BREAK RH DE-ICE BOOT	1	2.4
3	23S-2015-9-1		BREAK-TIP LH DE-ICE BOOT	1	3.5
4	23S-2015-9-2		BREAK-TIP RH DE-ICE BOOT	1	3.5
5	23S-2015-3-1		HORIZONTAL STABILIZER LH DE-ICE BOOT	1	2.4
6	23S-2015-3-2		HORIZONTAL STABILIZER RH DE-ICE BOOT	1	2.4
7	23S-2015-7-1		VERTICAL STABILIZER DE-ICE BOOT	1	2.4

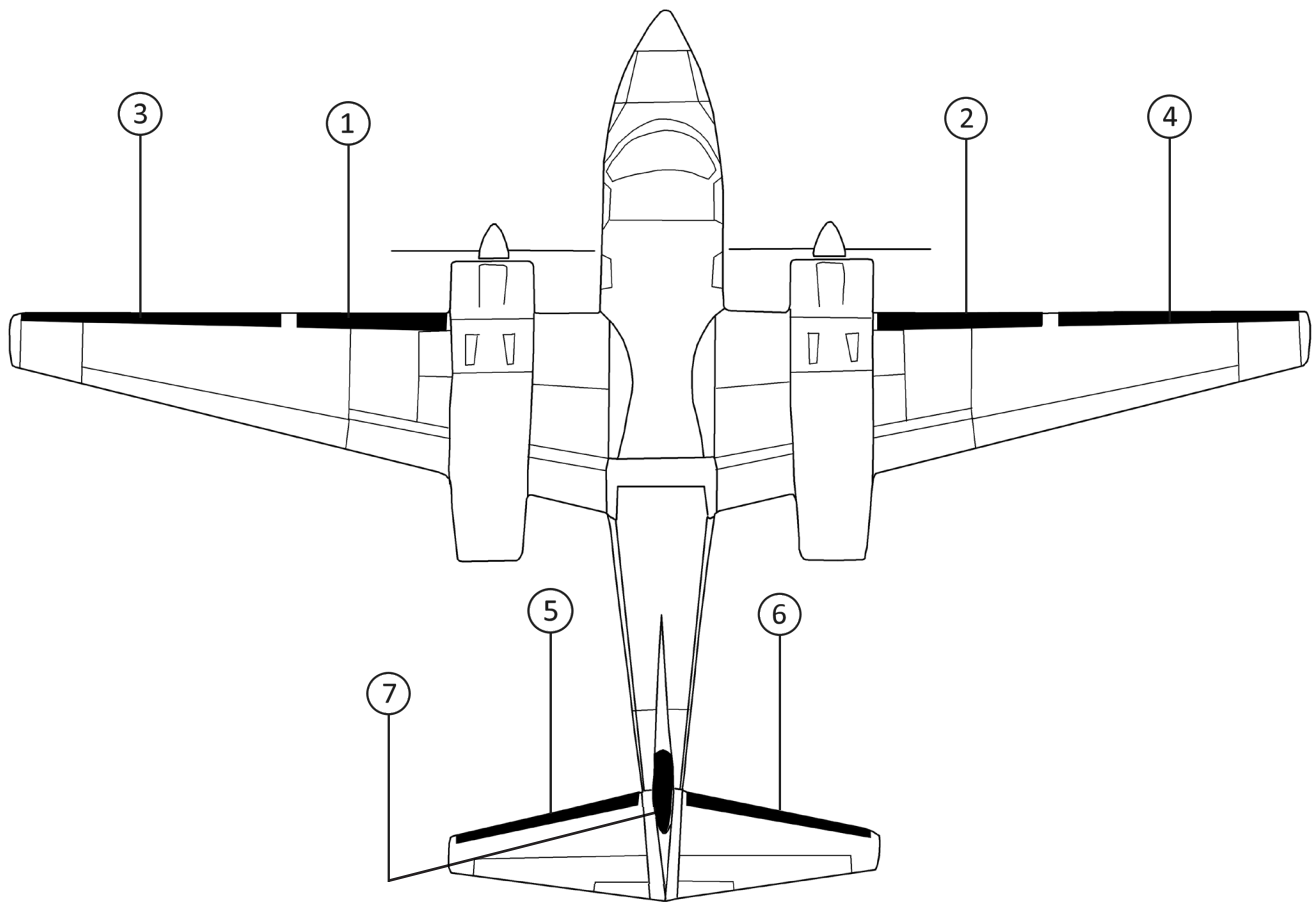


TWIN COMMANDER 500A (WITH LIFT TRANSDUCER)

TWIN COMMANDER 500B (WITHOUT LIFT TRANSDUCER)

STANDARD DE-ICE BOOTS

POSITION ID	GOODRICH PART NUMBER	AIRCRAFT OEM P/N	DESCRIPTION	QTY PER AIRCRAFT	WT
1	23S-2015-12-1		NACELLE-BREAK LH DE-ICE BOOT	1	2.5
2	23S-2015-12-2		NACELLE-BREAK RH DE-ICE BOOT	1	2.4
3	23S-2015-8-1		BREAK-TIP LH DE-ICE BOOT	1	3.5
4	23S-2015-9-2		BREAK-TIP RH DE-ICE BOOT	1	3.5
5	23S-2015-3-1		HORIZONTAL STABILIZER LH DE-ICE BOOT	1	2.4
6	23S-2015-3-2		HORIZONTAL STABILIZER RH DE-ICE BOOT	1	2.4
7	23S-2015-7-1		VERTICAL STABILIZER DE-ICE BOOT	1	2.4

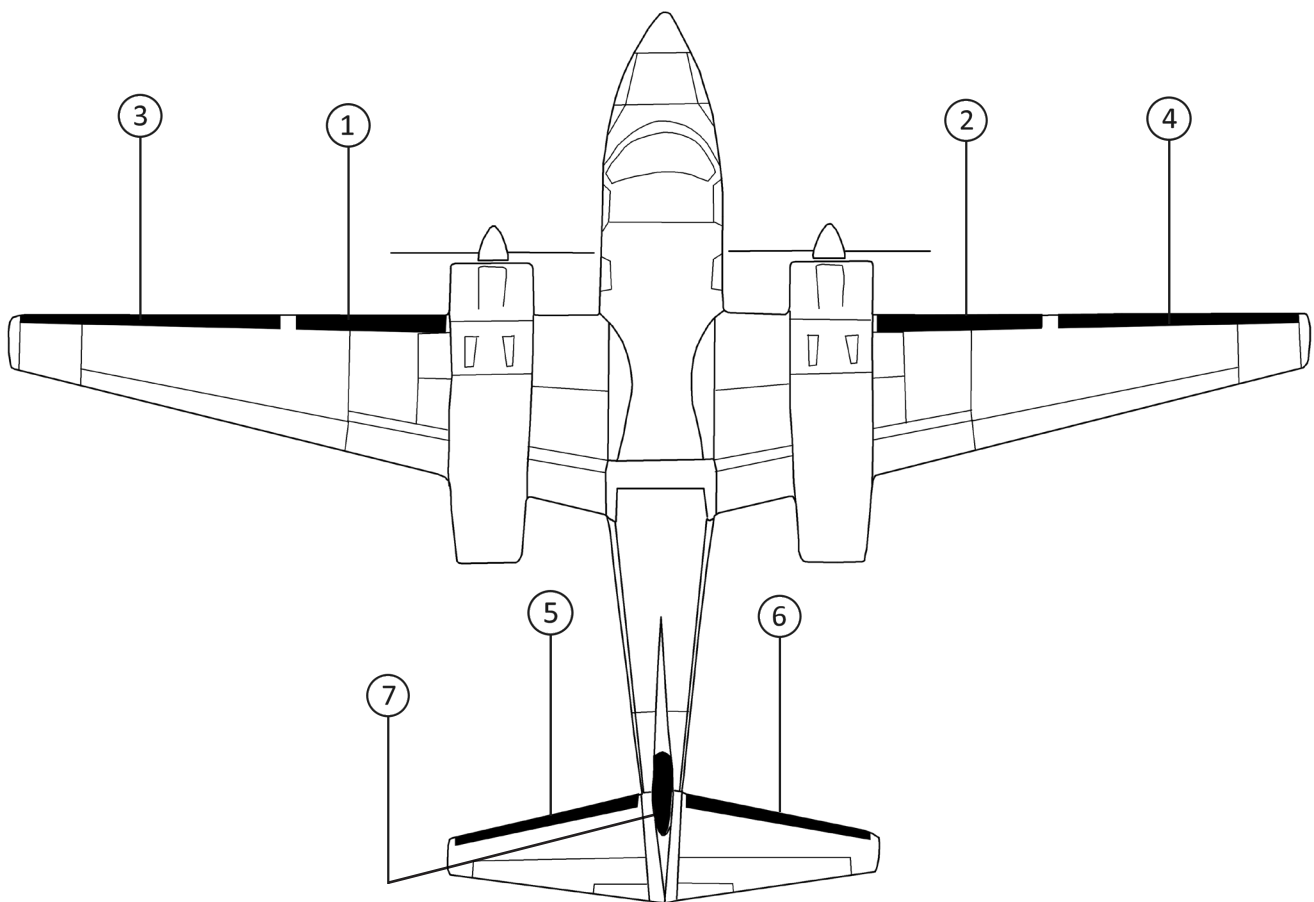


TWIN COMMANDER 500B (WITHOUT LIFT TRANSDUCER)

TWIN COMMANDER 500B (WITH LIFT TRANSDUCER)

STANDARD DE-ICE BOOTS

POSITION ID	GOODRICH PART NUMBER	AIRCRAFT OEM P/N	DESCRIPTION	QTY PER AIRCRAFT	WT
1	23S-2015-13-1		NACELLE-BREAK LH DE-ICE BOOT	1	2.4
2	23S-2015-12-2		NACELLE-BREAK RH DE-ICE BOOT	1	2.4
3	23S-2015-9-1		BREAK-TIP LH DE-ICE BOOT	1	3.5
4	23S-2015-9-2		BREAK-TIP RH DE-ICE BOOT	1	3.5
5	23S-2015-3-1		HORIZONTAL STABILIZER LH DE-ICE BOOT	1	2.4
6	23S-2015-3-2		HORIZONTAL STABILIZER RH DE-ICE BOOT	1	2.4
7	23S-2015-7-1		VERTICAL STABILIZER DE-ICE BOOT	1	2.4



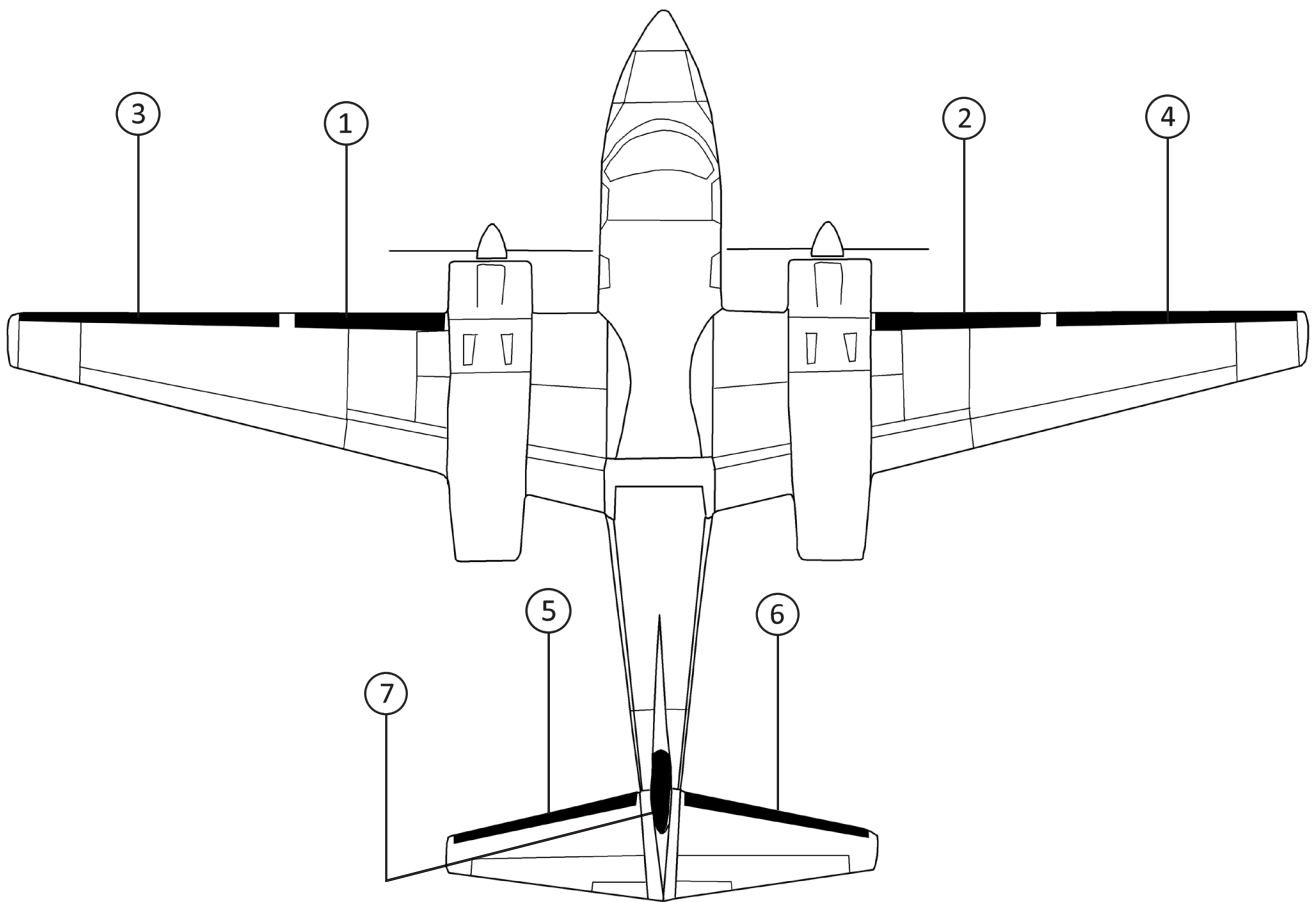
TWIN COMMANDER 500B (WITH LIFT TRANSDUCER)

TWIN COMMANDER 500S (SHRIKE COMMANDER) (WITHOUT LIFT TRANSDUCER)

STANDARD DE-ICE BOOTS

POSITION ID	GOODRICH PART NUMBER	AIRCRAFT OEM P/N	DESCRIPTION	QTY PER AIRCRAFT	WT
1	23S-2015-12-1		NACELLE-BREAK LH DE-ICE BOOT	1	2.5
2	23S-2015-12-2		NACELLE-BREAK RH DE-ICE BOOT	1	2.4
3	23S-2015-8-1		BREAK-TIP LH DE-ICE BOOT	1	3.5
4	23S-2015-9-2		BREAK-TIP RH DE-ICE BOOT	1	3.5
5	23S-2015-3-1		HORIZONTAL STABILIZER LH DE-ICE BOOT	1	2.4
6	23S-2015-3-2		HORIZONTAL STABILIZER RH DE-ICE BOOT	1	2.4
7	23S-2015-7-1		VERTICAL STABILIZER DE-ICE BOOT	1	2.4

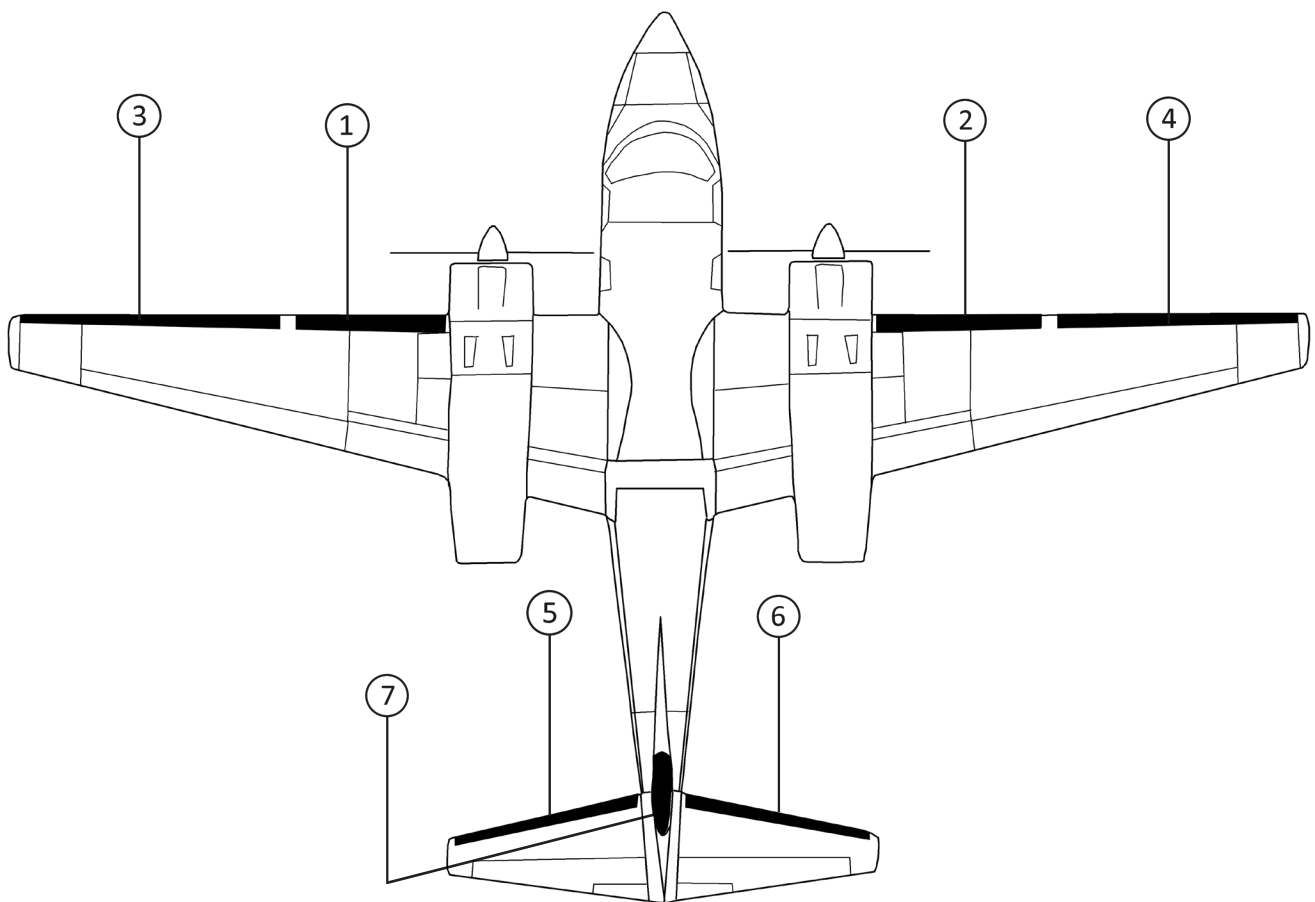
TWIN COMMANDER 500S (SHRIKE COMMANDER) (WITHOUT LIFT TRANSDUCER)



TWIN COMMANDER 500S (SHRIKE COMMANDER) (WITH LIFT TRANSDUCER)

STANDARD DE-ICE BOOTS

POSITION ID	GOODRICH PART NUMBER	AIRCRAFT OEM P/N	DESCRIPTION	QTY PER AIRCRAFT	WT
1	23S-2015-13-1		NACELLE-BREAK LH DE-ICE BOOT	1	2.4
2	23S-2015-12-2		NACELLE-BREAK RH DE-ICE BOOT	1	2.4
3	23S-2015-9-1		BREAK-TIP LH DE-ICE BOOT	1	3.5
4	23S-2015-9-2		BREAK-TIP RH DE-ICE BOOT	1	3.5
5	23S-2015-3-1		HORIZONTAL STABILIZER LH DE-ICE BOOT	1	2.4
6	23S-2015-3-2		HORIZONTAL STABILIZER RH DE-ICE BOOT	1	2.4
7	23S-2015-7-1		VERTICAL STABILIZER DE-ICE BOOT	1	2.4



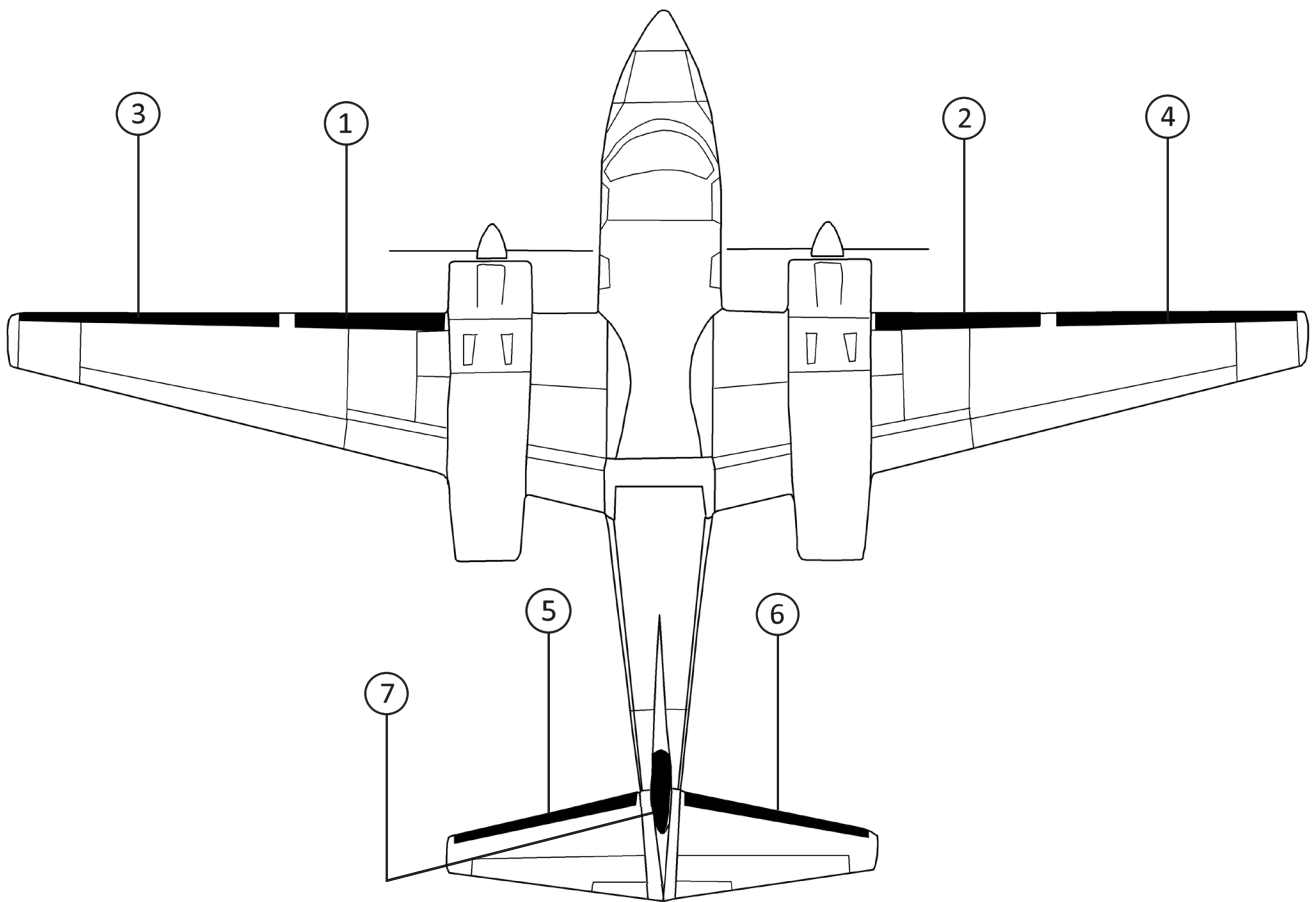
TWIN COMMANDER 500S (SHRIKE COMMANDER) (WITH LIFT TRANSDUCER)

TWIN COMMANDER 500U (SHRIKE COMMANDER) (WITHOUT LIFT TRANSDUCER)

STANDARD DE-ICE BOOTS

POSITION ID	GOODRICH PART NUMBER	AIRCRAFT OEM P/N	DESCRIPTION	QTY PER AIRCRAFT	WT
1	23S-2015-12-1		NACELLE-BREAK LH DE-ICE BOOT	1	2.5
2	23S-2015-12-2		NACELLE-BREAK RH DE-ICE BOOT	1	2.4
3	23S-2015-8-1		BREAK-TIP LH DE-ICE BOOT	1	3.5
4	23S-2015-9-2		BREAK-TIP RH DE-ICE BOOT	1	3.5
5	23S-2015-3-1		HORIZONTAL STABILIZER LH DE-ICE BOOT	1	2.4
6	23S-2015-3-2		HORIZONTAL STABILIZER RH DE-ICE BOOT	1	2.4
7	23S-2015-7-1		VERTICAL STABILIZER DE-ICE BOOT	1	2.4

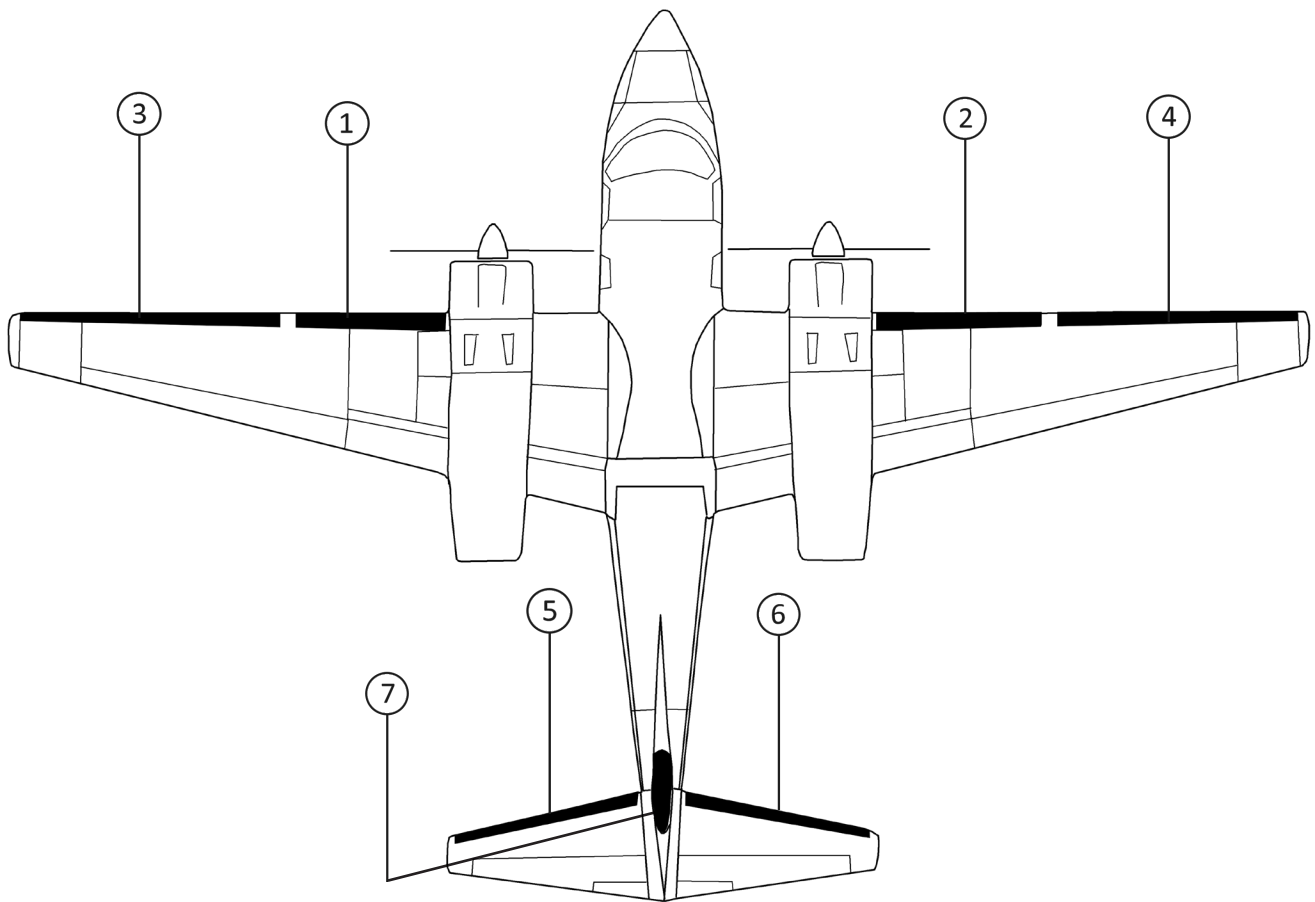
TWIN COMMANDER 500U (SHRIKE COMMANDER) (WITHOUT LIFT TRANSDUCER)



TWIN COMMANDER 500U (SHRIKE COMMANDER) (WITH LIFT TRANSDUCER)

STANDARD DE-ICE BOOTS

POSITION ID	GOODRICH PART NUMBER	AIRCRAFT OEM P/N	DESCRIPTION	QTY PER AIRCRAFT	WT
1	23S-2015-13-1		NACELLE-BREAK LH DE-ICE BOOT	1	2.4
2	23S-2015-12-2		NACELLE-BREAK RH DE-ICE BOOT	1	2.4
3	23S-2015-9-1		BREAK-TIP LH DE-ICE BOOT	1	3.5
4	23S-2015-9-2		BREAK-TIP RH DE-ICE BOOT	1	3.5
5	23S-2015-3-1		HORIZONTAL STABILIZER LH DE-ICE BOOT	1	2.4
6	23S-2015-3-2		HORIZONTAL STABILIZER RH DE-ICE BOOT	1	2.4
7	23S-2015-7-1		VERTICAL STABILIZER DE-ICE BOOT	1	2.4

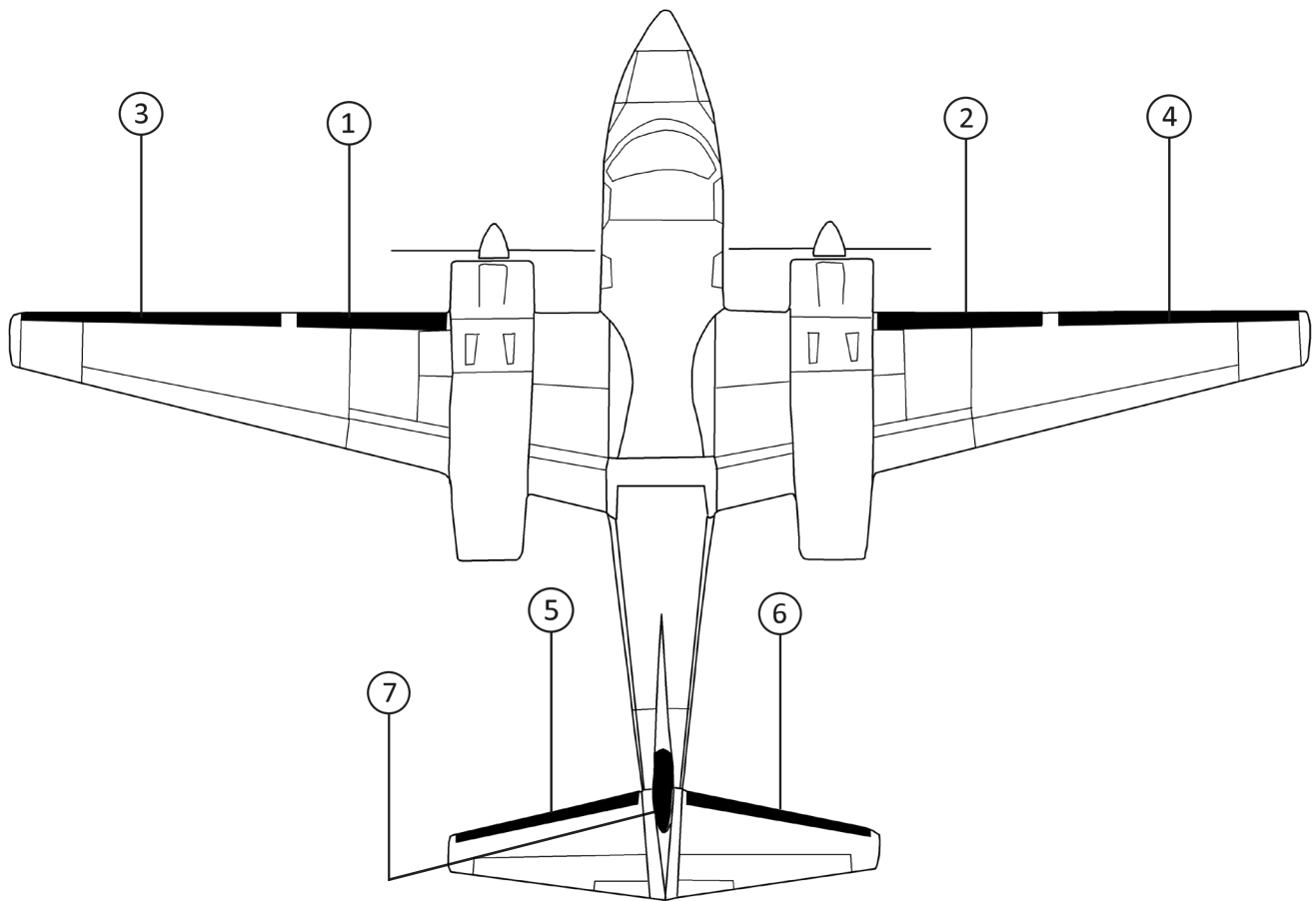


TWIN COMMANDER 500U (SHRIKE COMMANDER) (WITH LIFT TRANSDUCER)

TWIN COMMANDER 520 (WITHOUT LIFT TRANSDUCER)

STANDARD DE-ICE BOOTS

POSITION ID	GOODRICH PART NUMBER	AIRCRAFT OEM P/N	DESCRIPTION	QTY PER AIRCRAFT	WT
1	23S-2015-1-1		NACELLE-BREAK LH DE-ICE BOOT	1	2.6
2	23S-2015-1-2		NACELLE-BREAK RH DE-ICE BOOT	1	2.5
3	23S-2015-2-1		BREAK-TIP LH DE-ICE BOOT	1	2.8
4	23S-2015-2-2		BREAK-TIP RH DE-ICE BOOT	1	2.7
5	23S-2015-3-1		HORIZONTAL STABILIZER LH DE-ICE BOOT	1	2.4
6	23S-2015-3-2		HORIZONTAL STABILIZER RH DE-ICE BOOT	1	2.4
7	23S-2015-4-1		VERTICAL STABILIZER DE-ICE BOOT	1	2.1

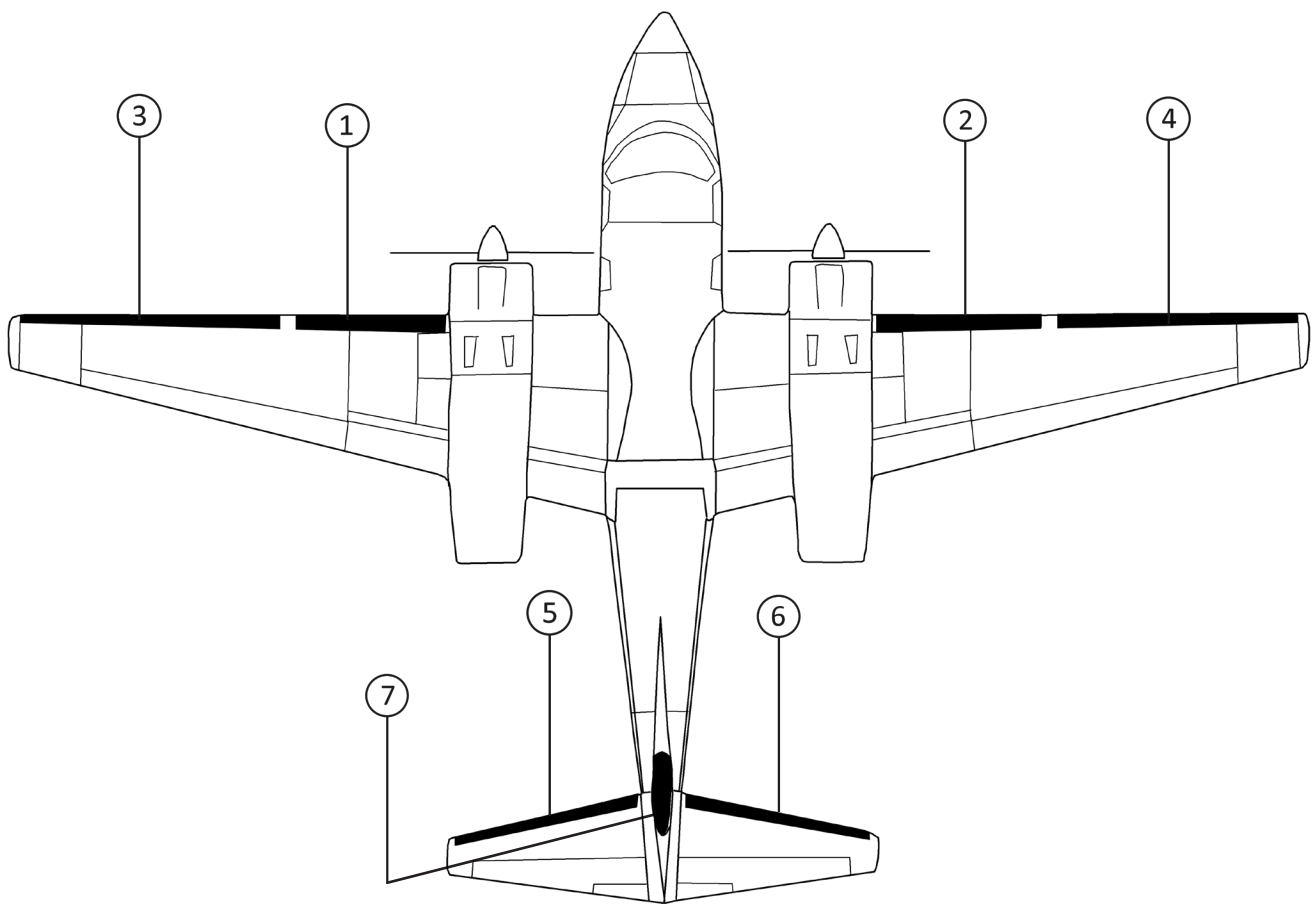


TWIN COMMANDER 520 (WITHOUT LIFT TRANSDUCER)

TWIN COMMANDER 520 (WITH LIFT TRANSDUCER)

STANDARD DE-ICE BOOTS

POSITION ID	GOODRICH PART NUMBER	AIRCRAFT OEM P/N	DESCRIPTION	QTY PER AIRCRAFT	WT
1	23S-2015-5-1		NACELLE-BREAK LH DE-ICE BOOT (ALLOWS FOR LIFT TRANSDUCER)	1	2.5
2	23S-2015-1-2		NACELLE-BREAK RH DE-ICE BOOT	1	2.5
3	23S-2015-6-1		BREAK-TIP LH DE-ICE BOOT (ALLOWS FOR LIFT TRANSDUCER)	1	2.8
4	23S-2015-2-2		BREAK-TIP RH DE-ICE BOOT	1	2.7
5	23S-2015-3-1		HORIZONTAL STABILIZER LH DE-ICE BOOT	1	2.4
6	23S-2015-3-2		HORIZONTAL STABILIZER RH DE-ICE BOOT	1	2.4
7	23S-2015-4-1		VERTICAL STABILIZER DE-ICE BOOT	1	2.1



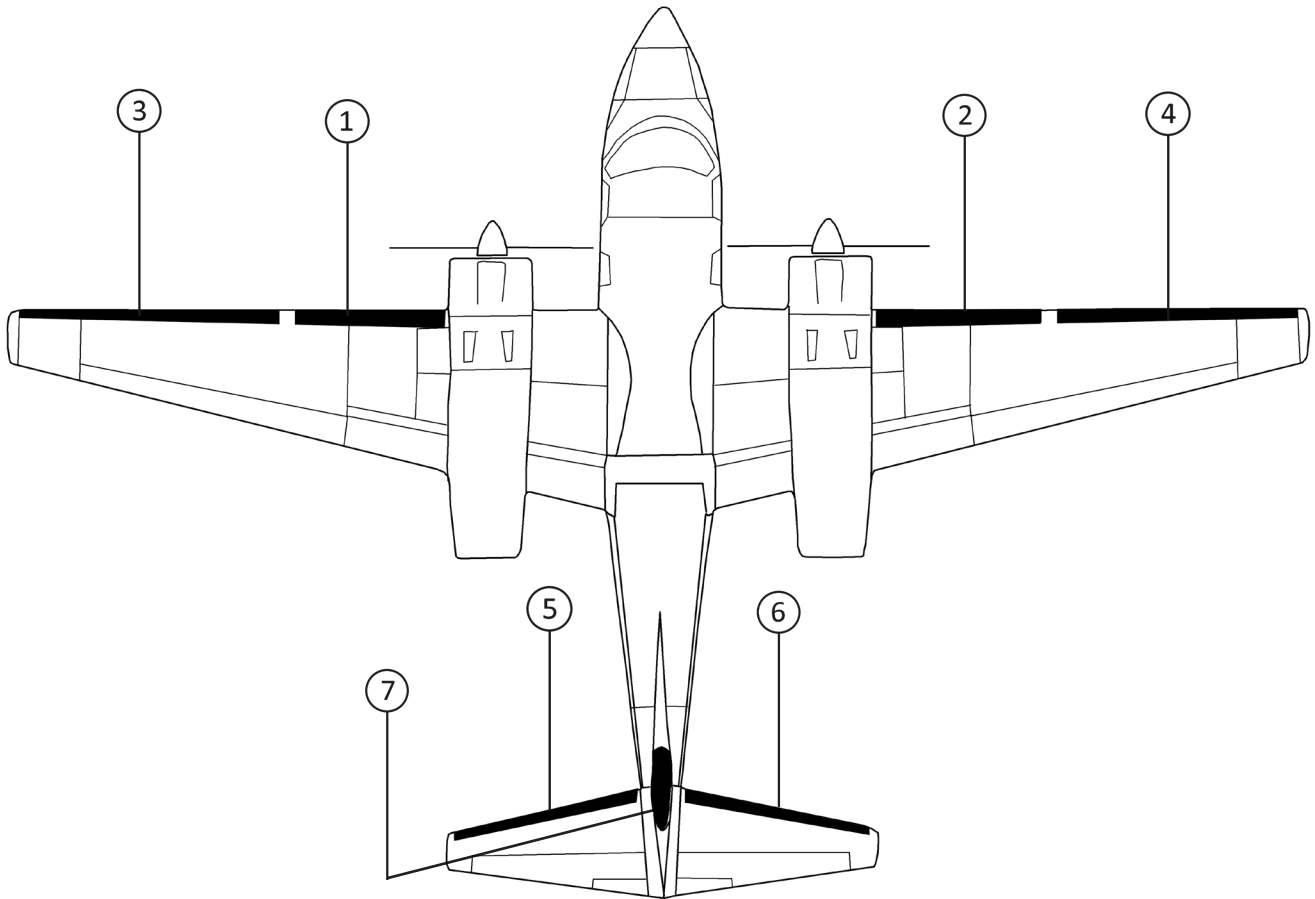
TWIN COMMANDER 520 (WITH LIFT TRANSDUCER)

TWIN COMMANDER 560 (WITHOUT LIFT TRANSDUCER)

STANDARD DE-ICE BOOTS

POSITION ID	GOODRICH PART NUMBER	AIRCRAFT OEM P/N	DESCRIPTION	QTY PER AIRCRAFT	WT
1	23S-2015-1-1		NACELLE-BREAK LH DE-ICE BOOT	1	2.6
2	23S-2015-1-2		NACELLE-BREAK RH DE-ICE BOOT	1	2.5
3	23S-2015-2-1		BREAK-TIP LH DE-ICE BOOT	1	2.8
4	23S-2015-2-2		BREAK-TIP RH DE-ICE BOOT	1	2.7
5	23S-2015-3-1		HORIZONTAL STABILIZER LH DE-ICE BOOT	1	2.4
6	23S-2015-3-2		HORIZONTAL STABILIZER RH DE-ICE BOOT	1	2.4
7	23S-2015-7-1		VERTICAL STABILIZER DE-ICE BOOT	1	2.4

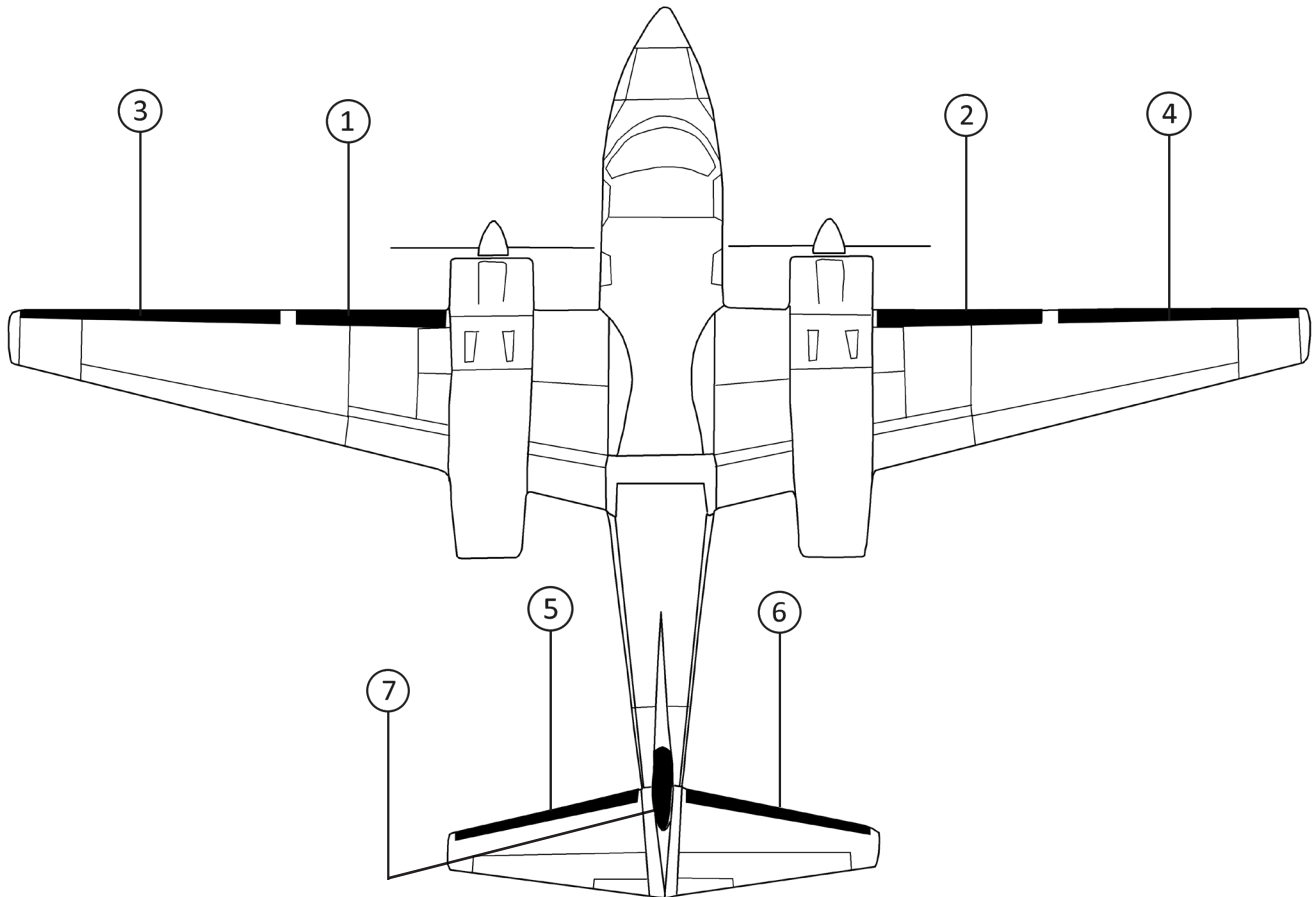
TWIN COMMANDER 560 (WITHOUT LIFT TRANSDUCER)



TWIN COMMANDER 560 (WITH LIFT TRANSDUCER)

STANDARD DE-ICE BOOTS

POSITION ID	GOODRICH PART NUMBER	AIRCRAFT OEM P/N	DESCRIPTION	QTY PER AIRCRAFT	WT
1	23S-2015-5-1		NACELLE-BREAK LH DE-ICE BOOT	1	2.5
2	23S-2015-1-2		NACELLE-BREAK RH DE-ICE BOOT	1	2.5
3	23S-2015-6-1		BREAK-TIP LH DE-ICE BOOT	1	2.8
4	23S-2015-2-2		BREAK-TIP RH DE-ICE BOOT	1	2.7
5	23S-2015-3-1		HORIZONTAL STABILIZER LH DE-ICE BOOT	1	2.4
6	23S-2015-3-2		HORIZONTAL STABILIZER RH DE-ICE BOOT	1	2.4
7	23S-2015-7-1		VERTICAL STABILIZER DE-ICE BOOT	1	2.4

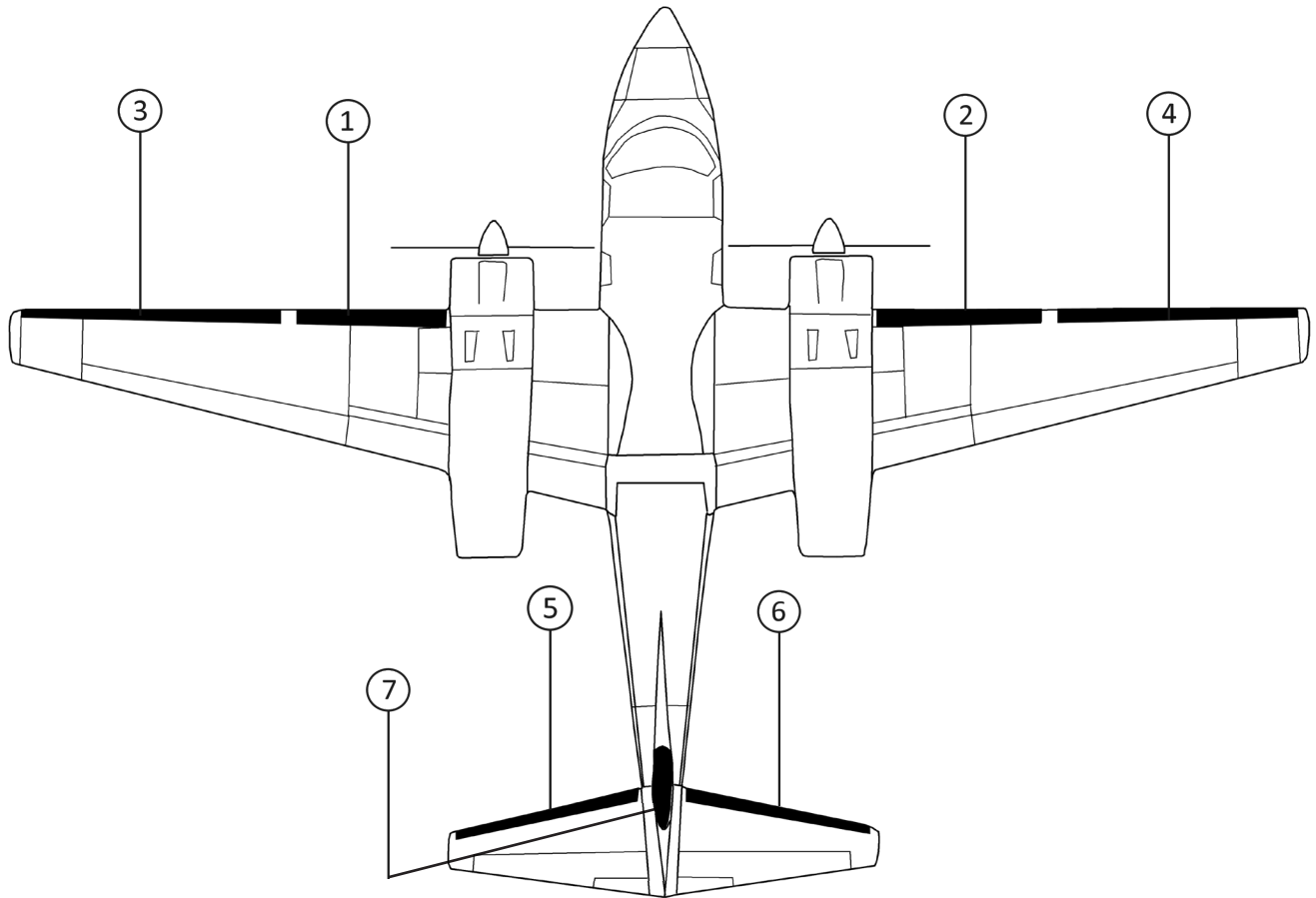


TWIN COMMANDER 560 (WITH LIFT TRANSDUCER)

TWIN COMMANDER 560A (WITHOUT LIFT TRANSDUCER)

STANDARD DE-ICE BOOTS

POSITION ID	GOODRICH PART NUMBER	AIRCRAFT OEM P/N	DESCRIPTION	QTY PER AIRCRAFT	WT
1	23S-2015-1-1		NACELLE-BREAK LH DE-ICE BOOT	1	2.6
2	23S-2015-1-2		NACELLE-BREAK RH DE-ICE BOOT	1	2.5
3	23S-2015-2-1		BREAK-TIP LH DE-ICE BOOT	1	2.8
4	23S-2015-2-2		BREAK-TIP RH DE-ICE BOOT	1	2.7
5	23S-2015-3-1		HORIZONTAL STABILIZER LH DE-ICE BOOT	1	2.4
6	23S-2015-3-2		HORIZONTAL STABILIZER RH DE-ICE BOOT	1	2.4
7	23S-2015-7-1		VERTICAL STABILIZER DE-ICE BOOT	1	2.4

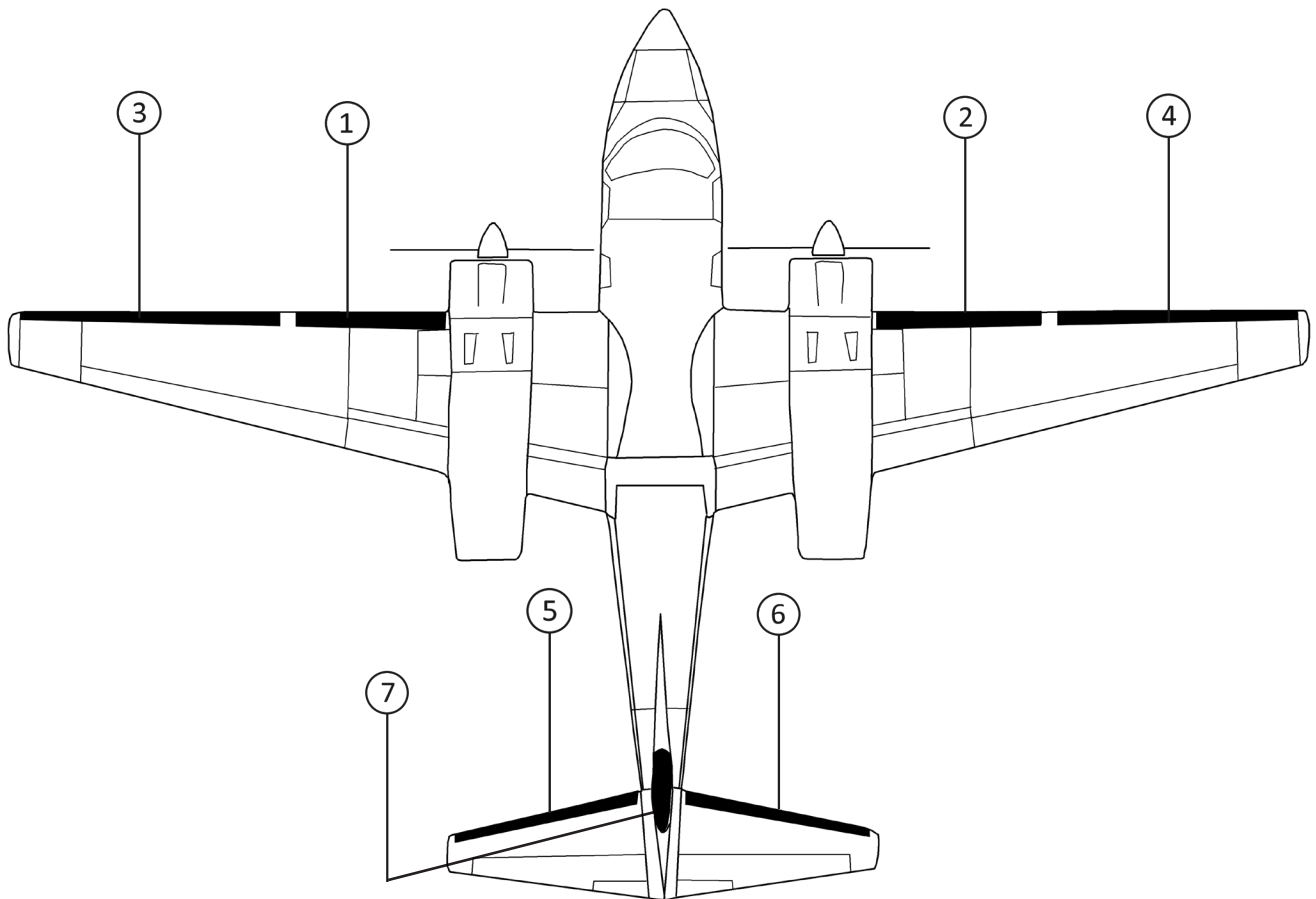


TWIN COMMANDER 560A (WITHOUT LIFT TRANSDUCER)

TWIN COMMANDER 560A (WITH LIFT TRANSDUCER)

STANDARD DE-ICE BOOTS

POSITION ID	GOODRICH PART NUMBER	AIRCRAFT OEM P/N	DESCRIPTION	QTY PER AIRCRAFT	WT
1	23S-2015-5-1		NACELLE-BREAK LH DE-ICE BOOT (ALLOWS FOR LIFT TRANSDUCER)	1	2.5
2	23S-2015-1-2		NACELLE-BREAK RH DE-ICE BOOT	1	2.5
3	23S-2015-6-1		BREAK-TIP LH DE-ICE BOOT (ALLOWS FOR LIFT TRANSDUCER)	1	2.8
4	23S-2015-2-2		BREAK-TIP RH DE-ICE BOOT	1	2.7
5	23S-2015-3-1		HORIZONTAL STABILIZER LH DE-ICE BOOT	1	2.4
6	23S-2015-3-2		HORIZONTAL STABILIZER RH DE-ICE BOOT	1	2.4
7	23S-2015-7-1		VERTICAL STABILIZER DE-ICE BOOT	1	2.1



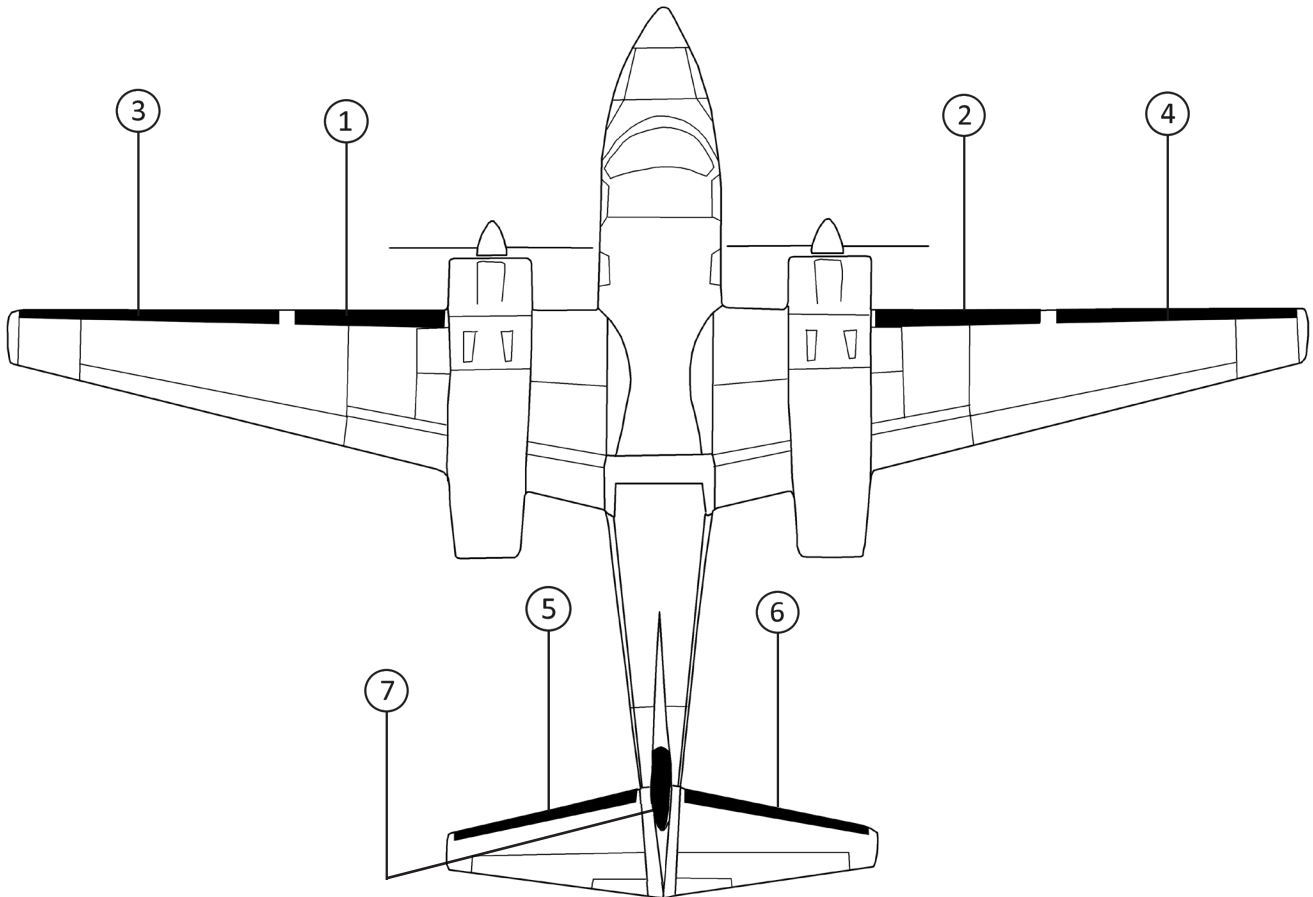
TWIN COMMANDER 560A (WITH LIFT TRANSDUCER)

TWIN COMMANDER 560E (WITHOUT LIFT TRANSDUCER)

STANDARD DE-ICE BOOTS

POSITION ID	GOODRICH PART NUMBER	AIRCRAFT OEM P/N	DESCRIPTION	QTY PER AIRCRAFT	WT
1	23S-2015-1-1		NACELLE-BREAK LH DE-ICE BOOT	1	2.6
2	23S-2015-1-2		NACELLE-BREAK RH DE-ICE BOOT	1	2.5
3	23S-2015-8-1		BREAK-TIP LH DE-ICE BOOT	1	3.5
4	23S-2015-9-2		BREAK-TIP RH DE-ICE BOOT	1	3.5
5	23S-2015-3-1		HORIZONTAL STABILIZER LH DE-ICE BOOT	1	2.4
6	23S-2015-3-2		HORIZONTAL STABILIZER RH DE-ICE BOOT	1	2.4
7	23S-2015-7-1		VERTICAL STABILIZER DE-ICE BOOT	1	2.4

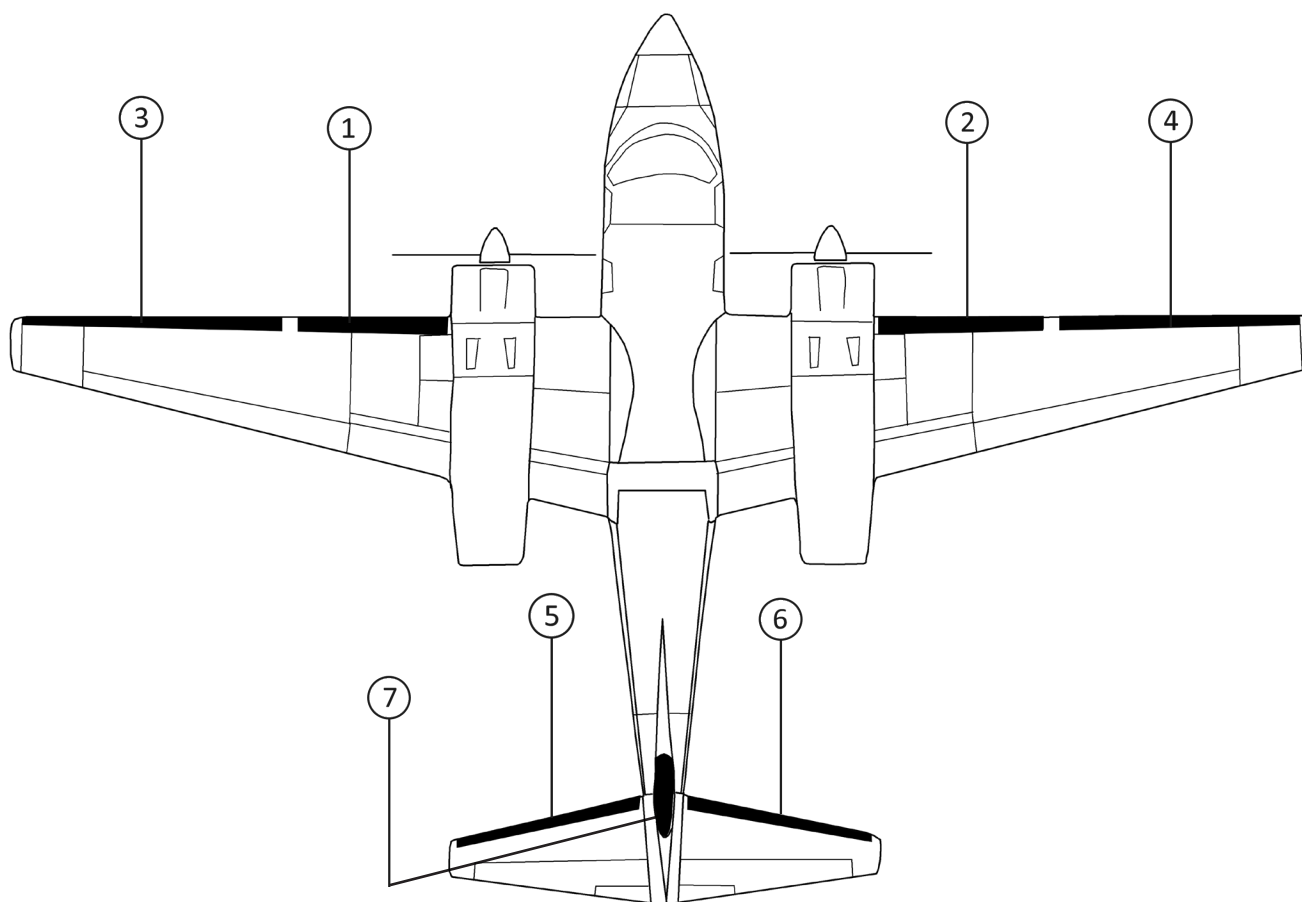
TWIN COMMANDER 560E (WITHOUT LIFT TRANSDUCER)



TWIN COMMANDER 560E (WITH LIFT TRANSDUCER)

STANDARD DE-ICE BOOTS

POSITION ID	GOODRICH PART NUMBER	AIRCRAFT OEM P/N	DESCRIPTION	QTY PER AIRCRAFT	WT
1	23S-2015-5-1		NACELLE-BREAK LH DE-ICE BOOT (ALLOWS FOR LIFT TRANSDUCER)	1	2.5
2	23S-2015-1-2		NACELLE-BREAK RH DE-ICE BOOT	1	2.5
3	23S-2015-9-1		BREAK-TIP LH DE-ICE BOOT (ALLOWS FOR LIFT TRANSDUCER)	1	3.5
3	23S-2015-9-2		BREAK-TIP RH DE-ICE BOOT	1	3.5
5	23S-2015-3-1		HORIZONTAL STABILIZER LH DE-ICE BOOT	1	2.4
6	23S-2015-3-2		HORIZONTAL STABILIZER RH DE-ICE BOOT	1	2.4
7	23S-2015-7-1		VERTICAL STABILIZER DE-ICE BOOT	1	2.4

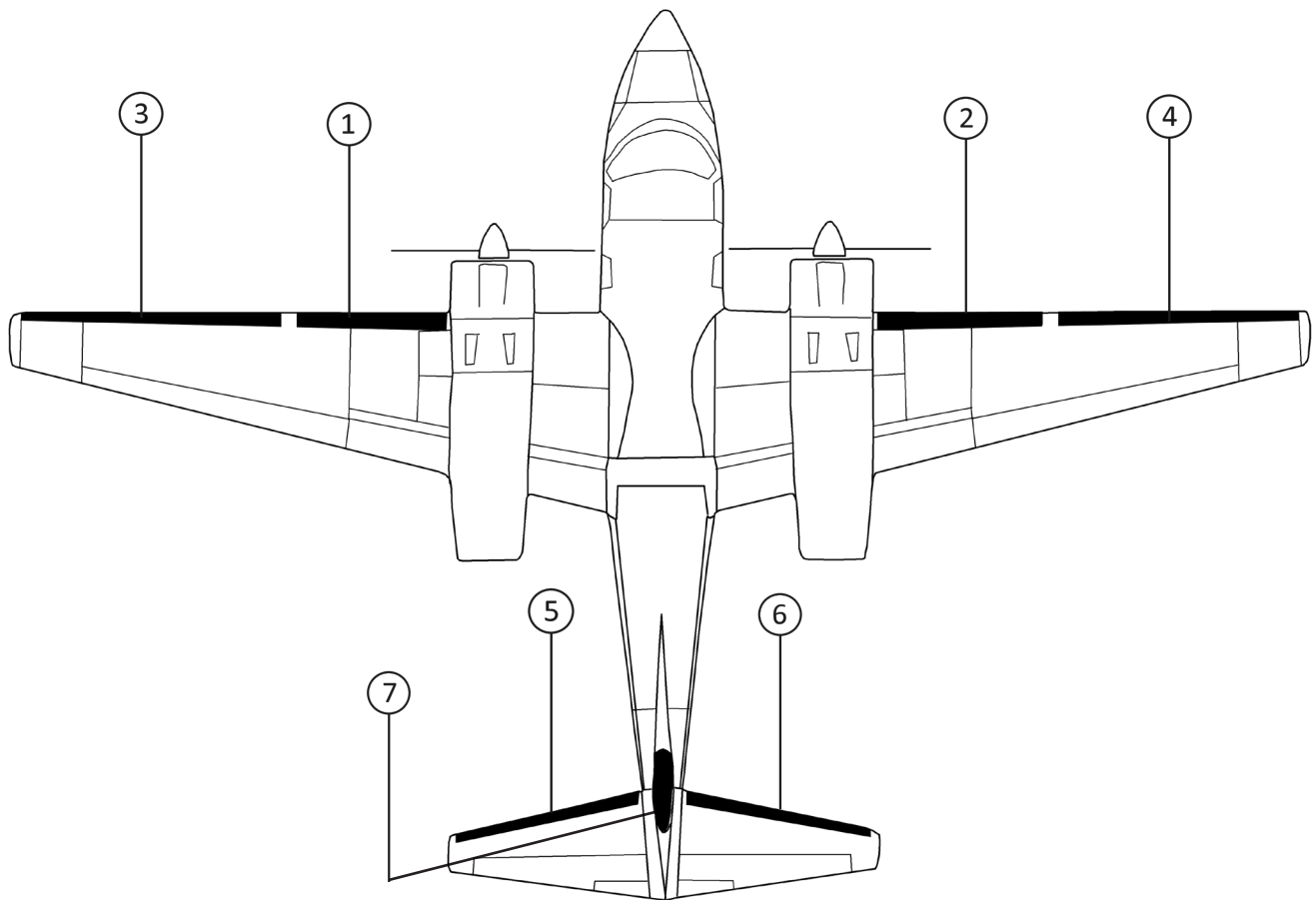


TWIN COMMANDER 560E (WITH LIFT TRANSDUCER)

TWIN COMMANDER 560F (WITHOUT LIFT TRANSDUCER)

STANDARD DE-ICE BOOTS

POSITION ID	GOODRICH PART NUMBER	AIRCRAFT OEM P/N	DESCRIPTION	QTY PER AIRCRAFT	WT
1	23S-2015-12-1		NACELLE-BREAK LH DE-ICE BOOT	1	2.5
2	23S-2015-12-2		NACELLE-BREAK RH DE-ICE BOOT	1	2.4
3	23S-2015-8-1		BREAK-TIP LH DE-ICE BOOT	1	3.5
4	23S-2015-9-2		BREAK-TIP RH DE-ICE BOOT	1	3.5
5	23S-2015-3-1		HORIZONTAL STABILIZER LH DE-ICE BOOT	1	2.4
6	23S-2015-3-2		HORIZONTAL STABILIZER RH DE-ICE BOOT	1	2.4
7	23S-2015-7-1		VERTICAL STABILIZER DE-ICE BOOT	1	2.4

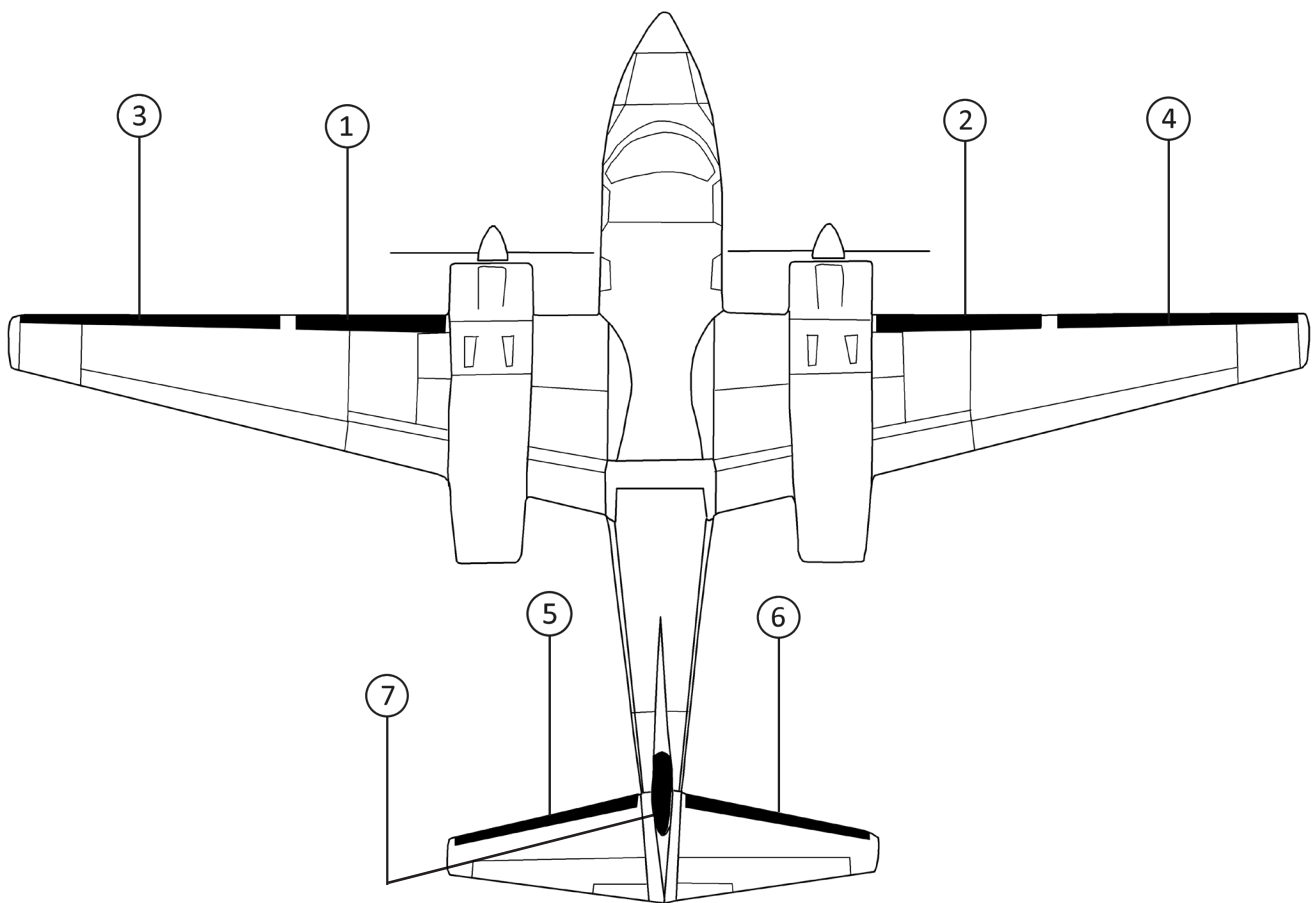


TWIN COMMANDER 560F (WITHOUT LIFT TRANSDUCER)

TWIN COMMANDER 560F (WITH LIFT TRANSDUCER)

STANDARD DE-ICE BOOTS

POSITION ID	GOODRICH PART NUMBER	AIRCRAFT OEM P/N	DESCRIPTION	QTY PER AIRCRAFT	WT
1	23S-2015-13-1		NACELLE-BREAK LH DE-ICE BOOT (ALLOWS FOR LIFT TRANSDUCER)	1	2.4
2	23S-2015-12-2		NACELLE-BREAK RH DE-ICE BOOT	1	2.4
3	23S-2015-9-1		BREAK-TIP LH DE-ICE BOOT (ALLOWS FOR LIFT TRANSDUCER)	1	3.5
4	23S-2015-9-2		BREAK-TIP RH DE-ICE BOOT	1	3.5
5	23S-2015-3-1		HORIZONTAL STABILIZER LH DE-ICE BOOT	1	2.4
6	23S-2015-3-2		HORIZONTAL STABILIZER RH DE-ICE BOOT	1	2.4
7	23S-2015-7-1		VERTICAL STABILIZER DE-ICE BOOT	1	2.4

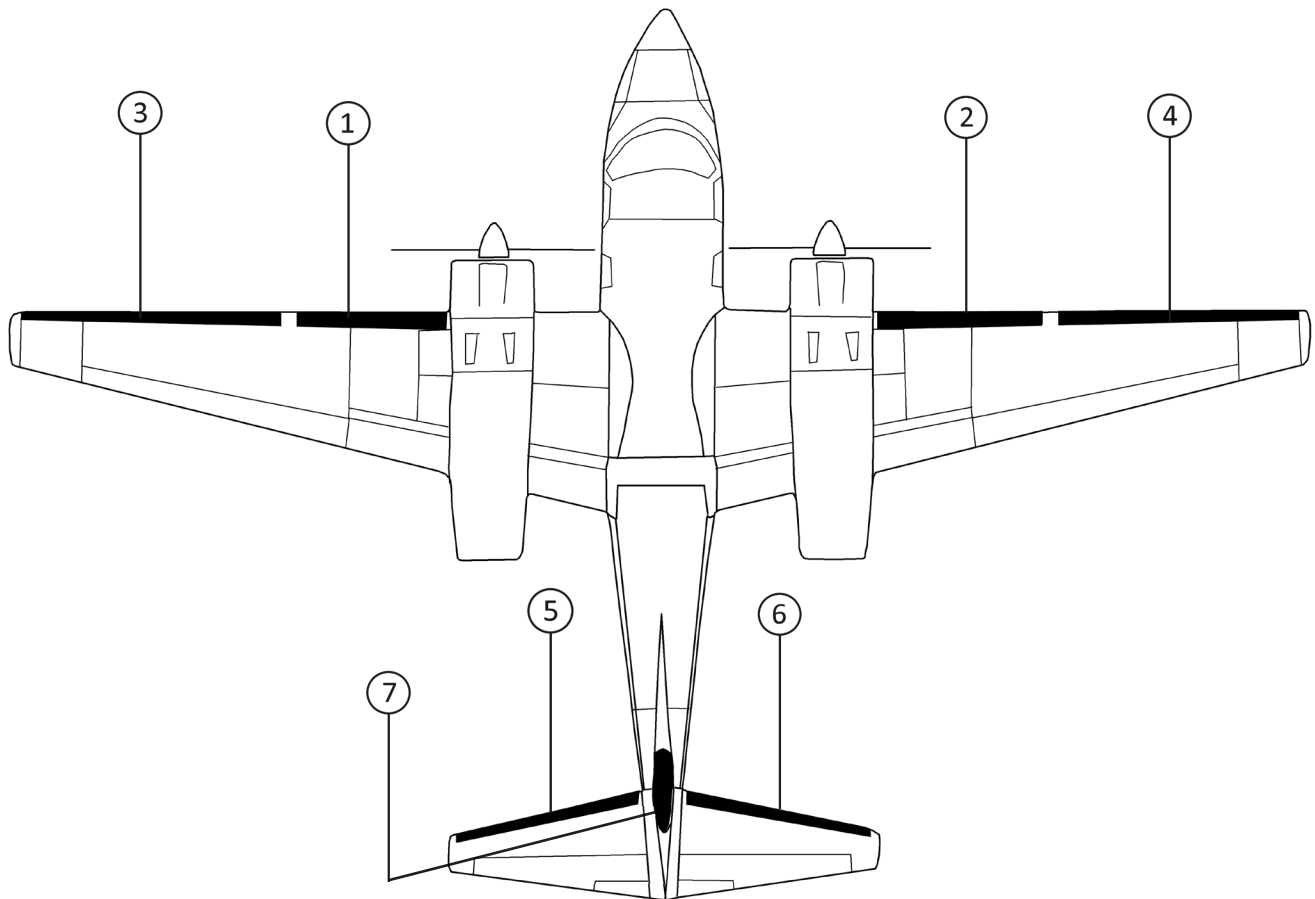


TWIN COMMANDER 560F (WITH LIFT TRANSDUCER)

TWIN COMMANDER 680 (WITHOUT LIFT TRANSDUCER)

STANDARD DE-ICE BOOTS

POSITION ID	GOODRICH PART NUMBER	AIRCRAFT OEM P/N	DESCRIPTION	QTY PER AIRCRAFT	WT
1	23S-2015-1-1		NACELLE-BREAK LH DE-ICE BOOT	1	2.6
2	23S-2015-1-2		NACELLE-BREAK RH DE-ICE BOOT	1	2.5
3	23S-2015-2-1		BREAK-TIP LH DE-ICE BOOT	1	2.8
4	23S-2015-2-2		BREAK-TIP RH DE-ICE BOOT	1	2.7
5	23S-2015-3-1		HORIZONTAL STABILIZER LH DE-ICE BOOT	1	2.4
6	23S-2015-3-2		HORIZONTAL STABILIZER RH DE-ICE BOOT	1	2.4
7	23S-2015-7-1		VERTICAL STABILIZER DE-ICE BOOT	1	2.4

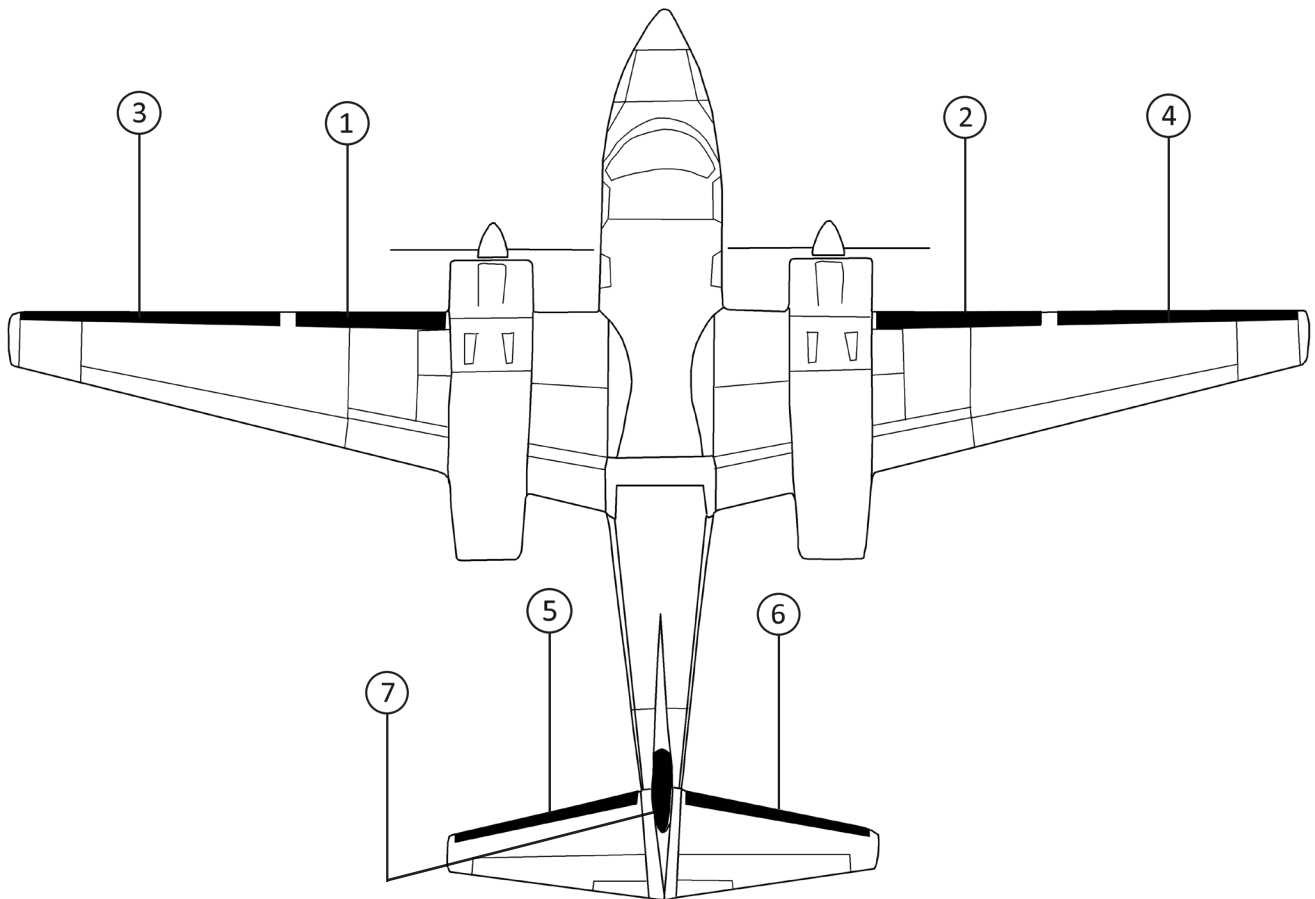


TWIN COMMANDER 680 (WITHOUT LIFT TRANSDUCER)

TWIN COMMANDER 680 (WITH LIFT TRANSDUCER)

STANDARD DE-ICE BOOTS

POSITION ID	GOODRICH PART NUMBER	AIRCRAFT OEM P/N	DESCRIPTION	QTY PER AIRCRAFT	WT
1	23S-2015-5-1		NACELLE-BREAK LH DE-ICE BOOT (ALLOWS FOR LIFT TRANSDUCER)	1	2.5
2	23S-2015-1-2		NACELLE-BREAK RH DE-ICE BOOT	1	2.5
3	23S-2015-6-1		BREAK-TIP LH DE-ICE BOOT (ALLOWS FOR LIFT TRANSDUCER)	1	2.7
4	23S-2015-2-2		BREAK-TIP RH DE-ICE BOOT	1	2.7
5	23S-2015-3-1		HORIZONTAL STABILIZER LH DE-ICE BOOT	1	2.4
6	23S-2015-3-2		HORIZONTAL STABILIZER RH DE-ICE BOOT	1	2.4
7	23S-2015-7-1		VERTICAL STABILIZER DE-ICE BOOT	1	2.4

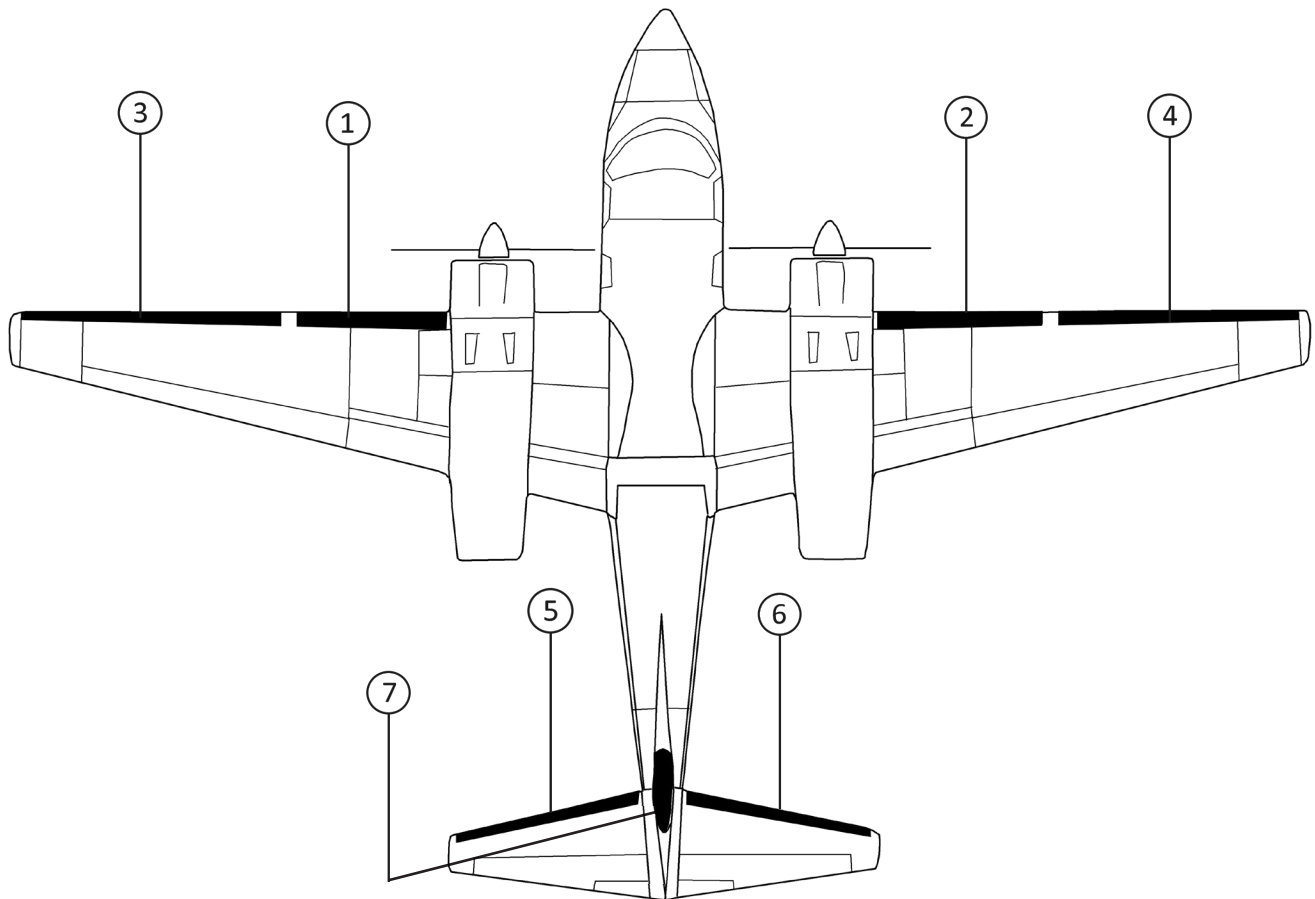


TWIN COMMANDER 680 (WITH LIFT TRANSDUCER)

TWIN COMMANDER 680E (WITHOUT LIFT TRANSDUCER)

STANDARD DE-ICE BOOTS

POSITION ID	GOODRICH PART NUMBER	AIRCRAFT OEM P/N	DESCRIPTION	QTY PER AIRCRAFT	WT
1	23S-2015-1-1		NACELLE-BREAK LH DE-ICE BOOT	1	2.6
2	23S-2015-1-2		NACELLE-BREAK RH DE-ICE BOOT	1	2.5
3	23S-2015-8-1		BREAK-TIP LH DE-ICE BOOT	1	3.5
4	23S-2015-9-2		BREAK-TIP RH DE-ICE BOOT	1	3.5
5	23S-2015-3-1		HORIZONTAL STABILIZER LH DE-ICE BOOT	1	2.4
6	23S-2015-3-2		HORIZONTAL STABILIZER RH DE-ICE BOOT	1	2.4
7	23S-2015-7-1		VERTICAL STABILIZER DE-ICE BOOT	1	2.4

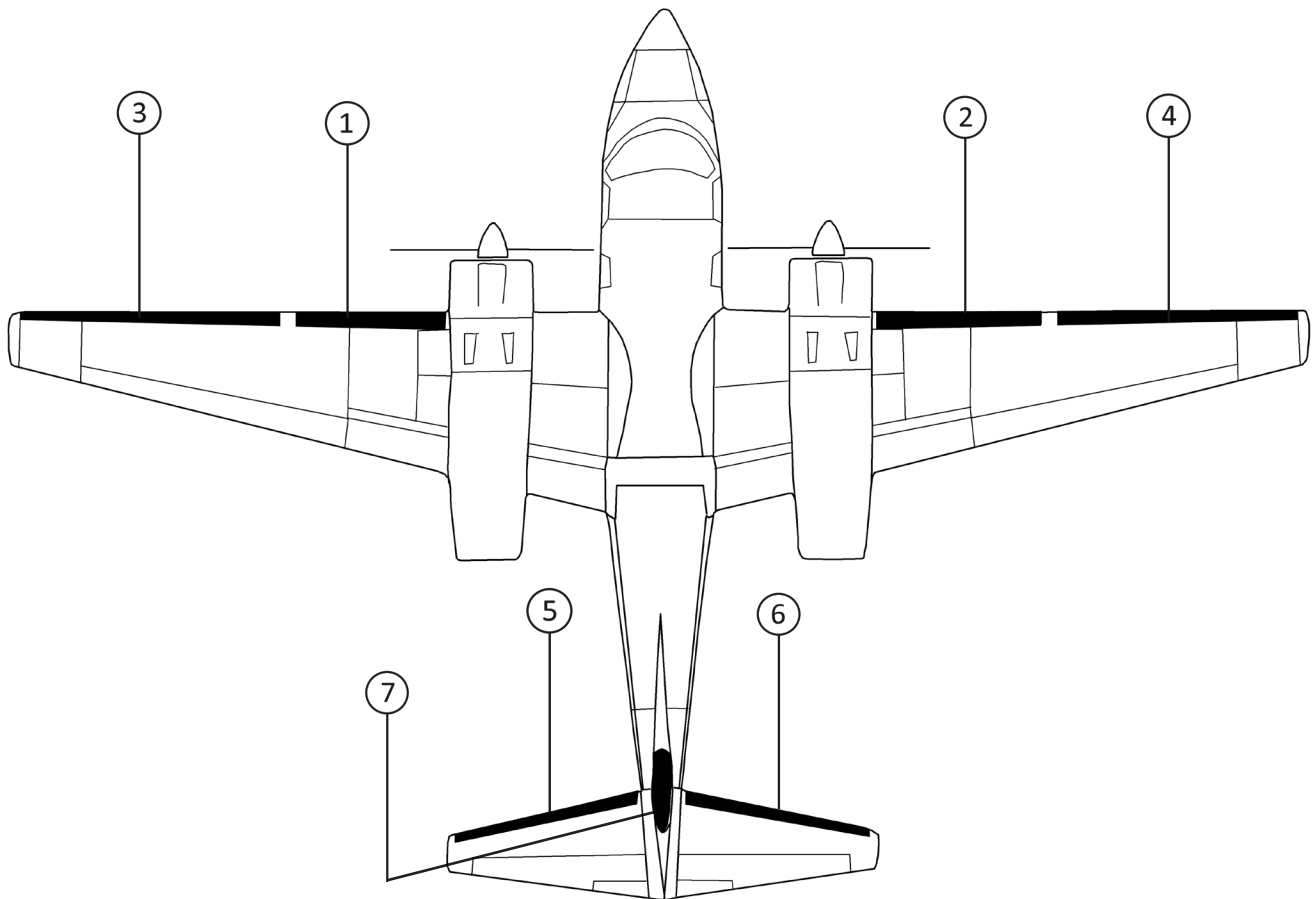


TWIN COMMANDER 680E (WITHOUT LIFT TRANSDUCER)

TWIN COMMANDER 680E (WITH LIFT TRANSDUCER)

STANDARD DE-ICE BOOTS

POSITION ID	GOODRICH PART NUMBER	AIRCRAFT OEM P/N	DESCRIPTION	QTY PER AIRCRAFT	WT
1	23S-2015-5-1		NACELLE-BREAK LH DE-ICE BOOT (ALLOWS FOR LIFT TRANSDUCER)	1	2.5
2	23S-2015-1-2		NACELLE-BREAK RH DE-ICE BOOT	1	2.5
3	23S-2015-9-1		BREAK-TIP LH DE-ICE BOOT (ALLOWS FOR LIFT TRANSDUCER)	1	3.5
4	23S-2015-9-2		BREAK-TIP RH DE-ICE BOOT	1	3.5
5	23S-2015-3-1		HORIZONTAL STABILIZER LH DE-ICE BOOT	1	2.4
6	23S-2015-3-2		HORIZONTAL STABILIZER RH DE-ICE BOOT	1	2.4
7	23S-2015-7-1		VERTICAL STABILIZER DE-ICE BOOT	1	2.4

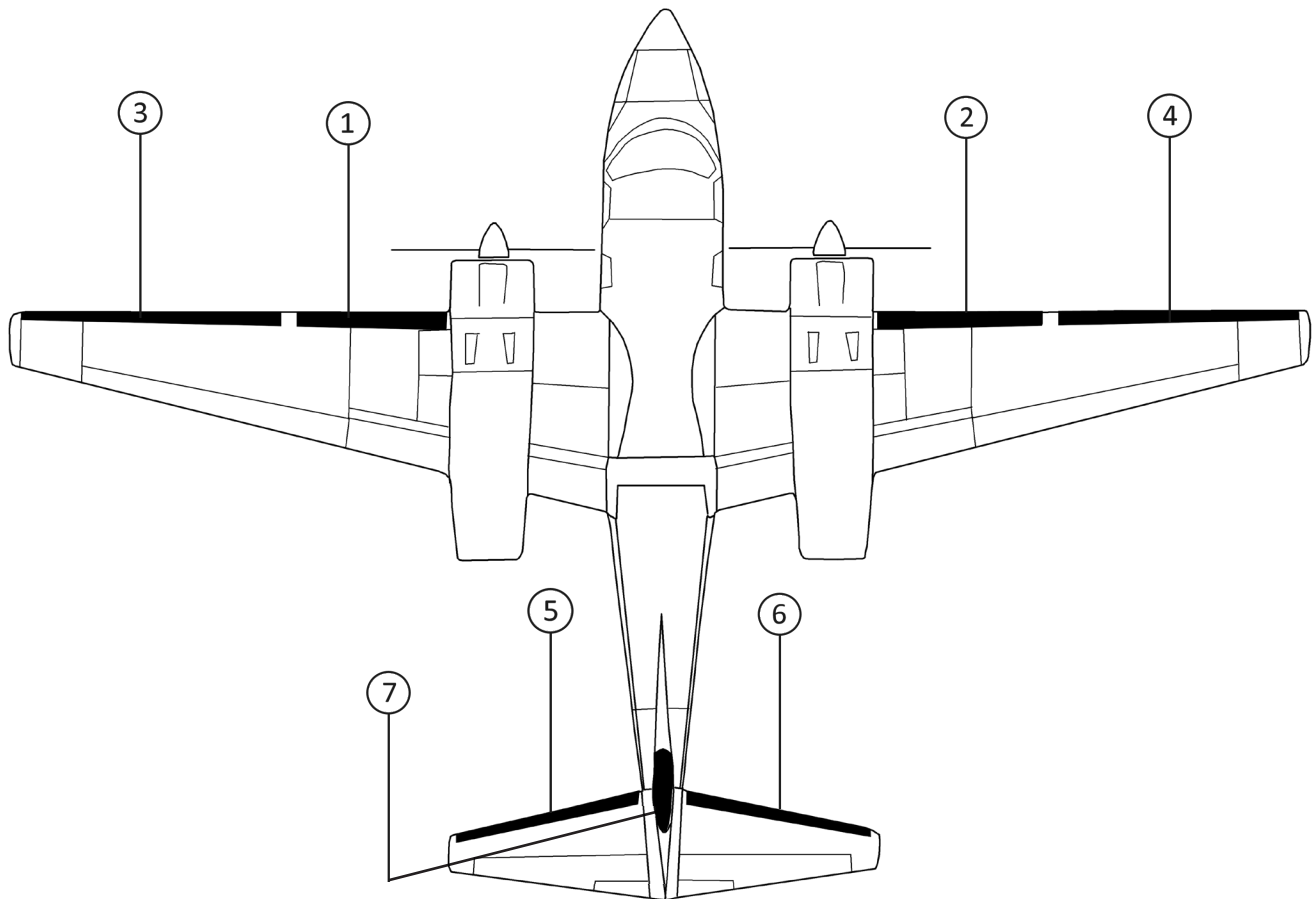


TWIN COMMANDER 680E (WITH LIFT TRANSDUCER)

TWIN COMMANDER 680F (WITHOUT LIFT TRANSDUCER)

STANDARD DE-ICE BOOTS

POSITION ID	GOODRICH PART NUMBER	AIRCRAFT OEM P/N	DESCRIPTION	QTY PER AIRCRAFT	WT
1	23S-2015-12-1		NACELLE-BREAK LH DE-ICE BOOT	1	2.5
2	23S-2015-12-2		NACELLE-BREAK RH DE-ICE BOOT	1	2.4
3	23S-2015-8-1		BREAK-TIP LH DE-ICE BOOT	1	3.5
4	23S-2015-9-2		BREAK-TIP RH DE-ICE BOOT	1	3.5
5	23S-2015-3-1		HORIZONTAL STABILIZER LH DE-ICE BOOT	1	2.4
6	23S-2015-3-2		HORIZONTAL STABILIZER RH DE-ICE BOOT	1	2.4
7	23S-2015-7-1		VERTICAL STABILIZER DE-ICE BOOT	1	2.4

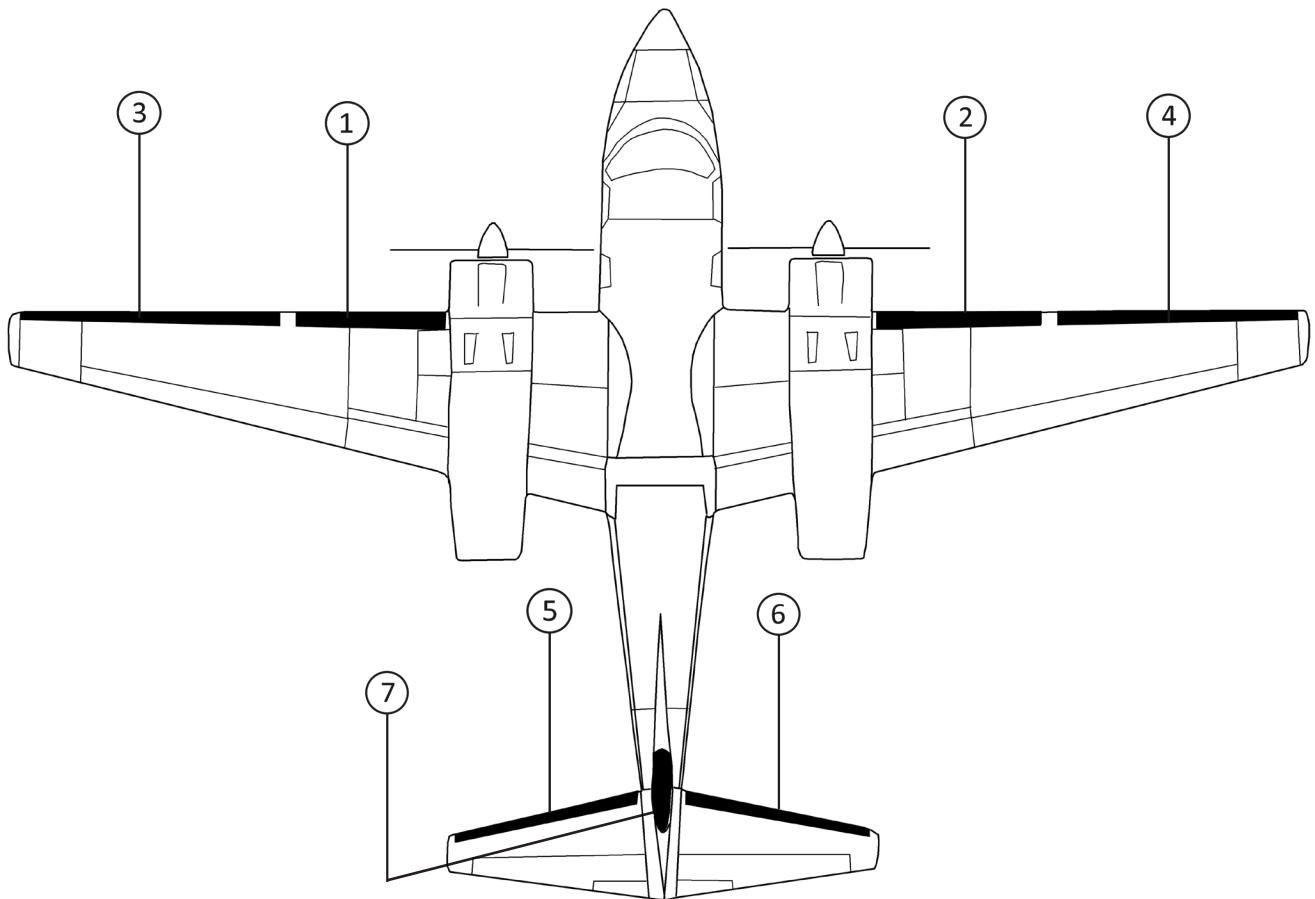


TWIN COMMANDER 680F (WITHOUT LIFT TRANSDUCER)

TWIN COMMANDER 680F (WITH LIFT TRANSDUCER)

STANDARD DE-ICE BOOTS

POSITION ID	GOODRICH PART NUMBER	AIRCRAFT OEM P/N	DESCRIPTION	QTY PER AIRCRAFT	WT
1	23S-2015-13-1		NACELLE-BREAK LH DE-ICE BOOT (ALLOWS FOR LIFT TRANSDUCER)	1	2.4
2	23S-2015-12-2		NACELLE-BREAK RH DE-ICE BOOT	1	2.4
3	23S-2015-9-1		BREAK-TIP LH DE-ICE BOOT (ALLOWS FOR LIFT TRANSDUCER)	1	3.5
4	23S-2015-9-2		BREAK-TIP RH DE-ICE BOOT	1	3.5
5	23S-2015-3-1		HORIZONTAL STABILIZER LH DE-ICE BOOT	1	2.4
6	23S-2015-3-2		HORIZONTAL STABILIZER RH DE-ICE BOOT	1	2.4
7	23S-2015-7-1		VERTICAL STABILIZER DE-ICE BOOT	1	2.4

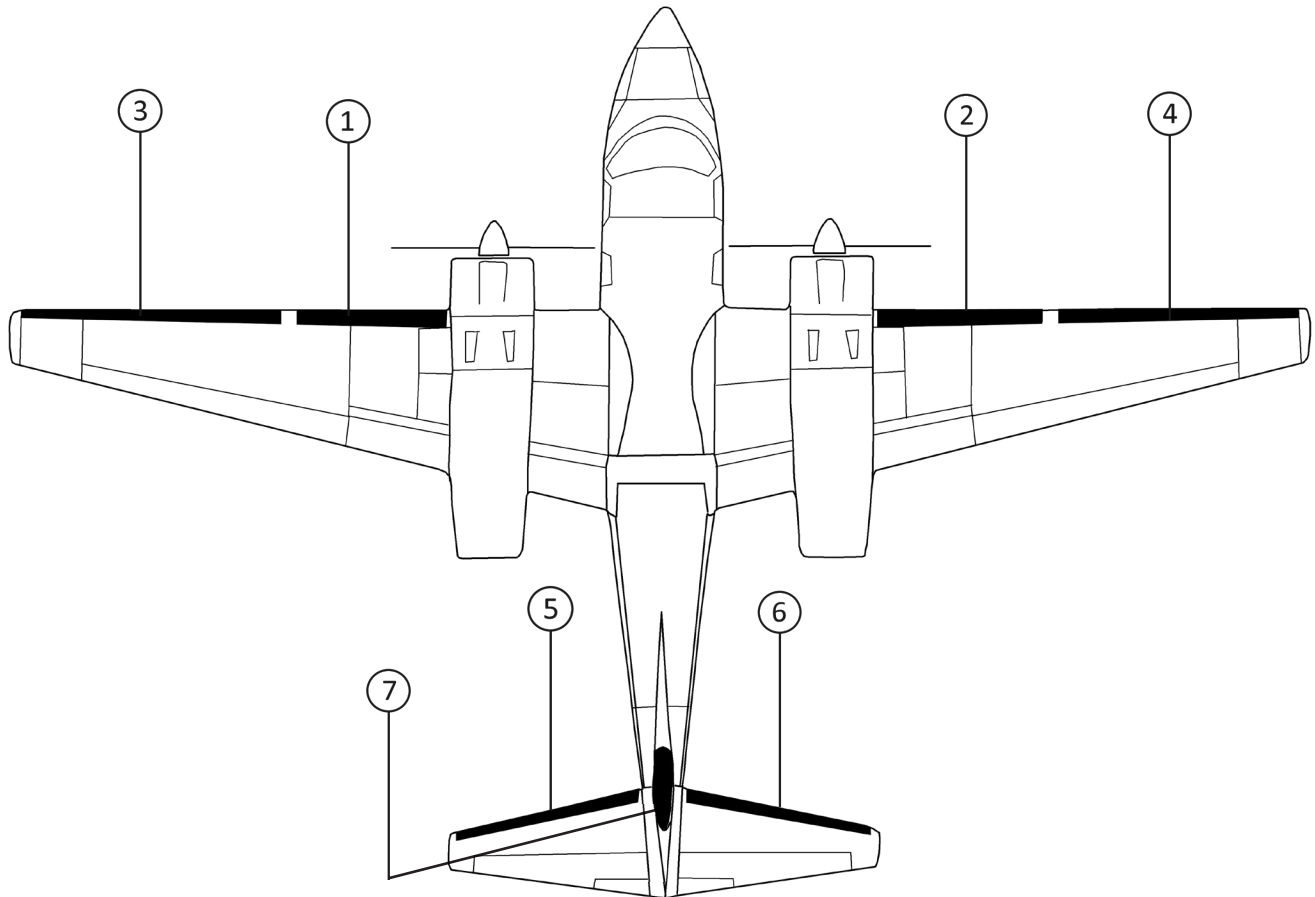


TWIN COMMANDER 680F (WITH LIFT TRANSDUCER)

TWIN COMMANDER 680F(P) (WITHOUT LIFT TRANSDUCER)

STANDARD DE-ICE BOOTS

POSITION ID	GOODRICH PART NUMBER	AIRCRAFT OEM P/N	DESCRIPTION	QTY PER AIRCRAFT	WT
1	23S-2015-12-1		NACELLE-BREAK LH DE-ICE BOOT	1	2.5
2	23S-2015-12-2		NACELLE-BREAK RH DE-ICE BOOT	1	2.4
3	23S-2015-8-1		BREAK-TIP LH DE-ICE BOOT	1	3.5
4	23S-2015-9-2		BREAK-TIP RH DE-ICE BOOT	1	3.5
5	23S-2015-3-1		HORIZONTAL STABILIZER LH DE-ICE BOOT	1	2.4
6	23S-2015-3-2		HORIZONTAL STABILIZER RH DE-ICE BOOT	1	2.4
7	23S-2015-7-1		VERTICAL STABILIZER DE-ICE BOOT	1	2.4

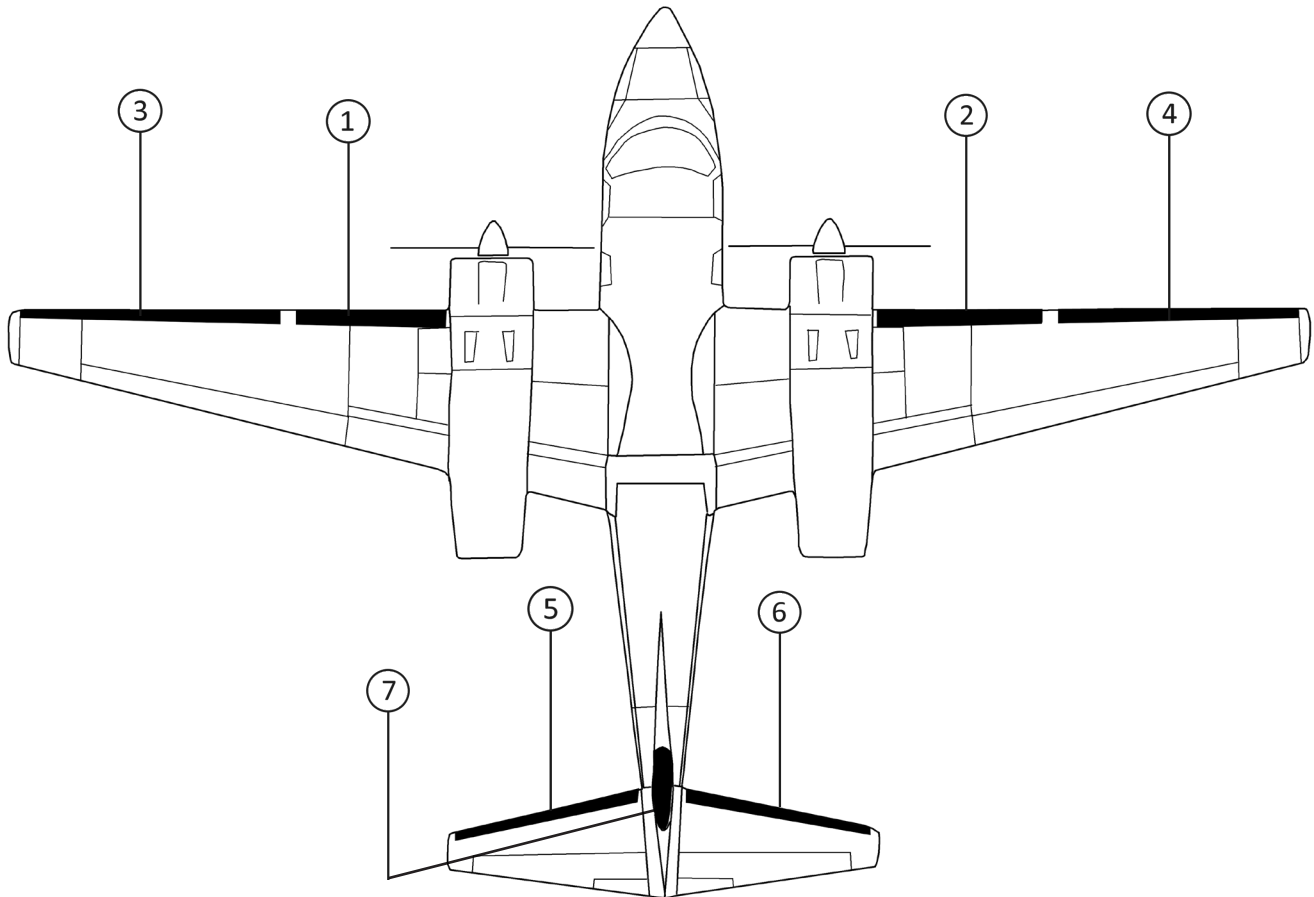


TWIN COMMANDER 680F(P) (WITHOUT LIFT TRANSDUCER)

TWIN COMMANDER 680F(P) (WITH LIFT TRANSDUCER)

STANDARD DE-ICE BOOTS

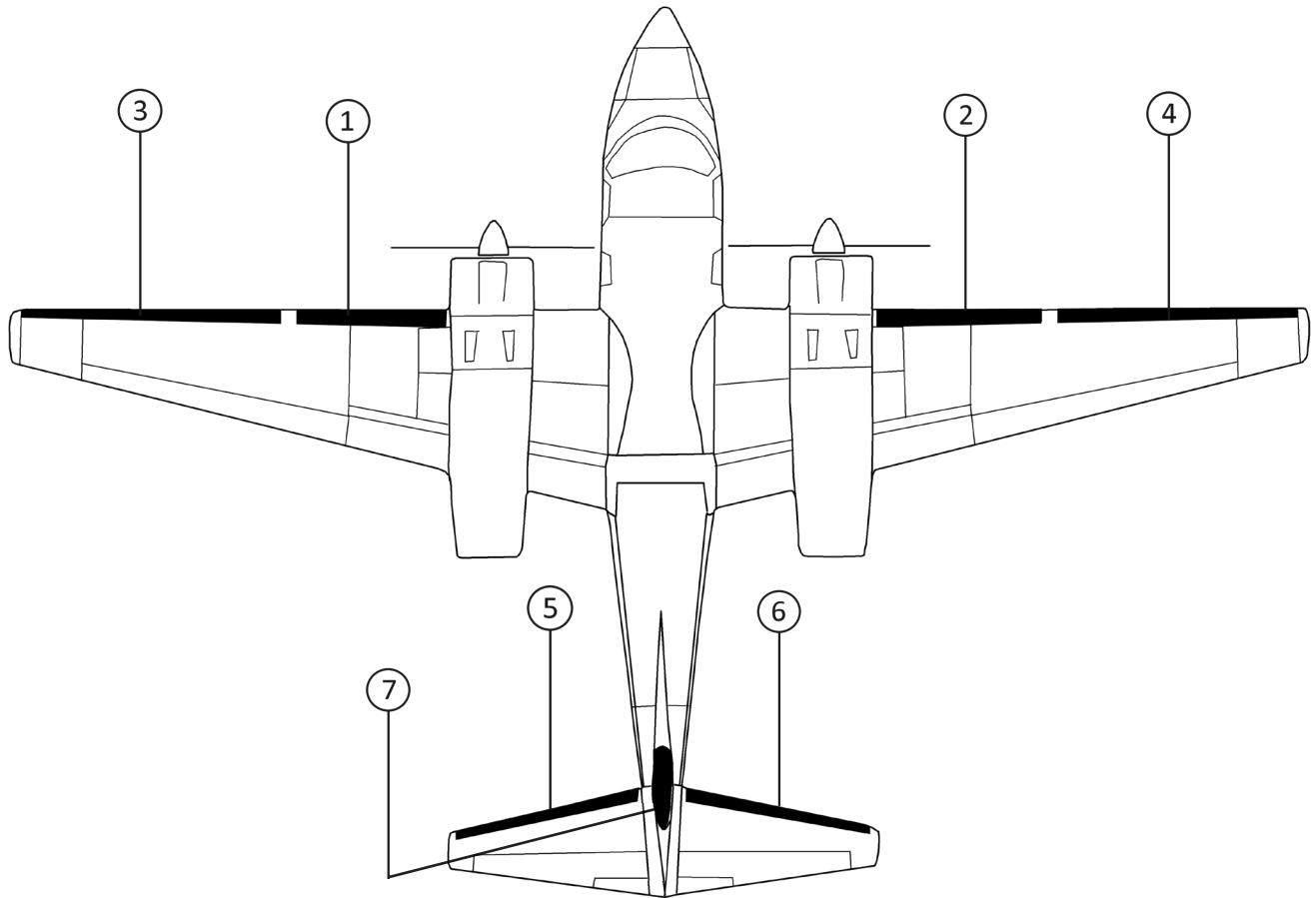
POSITION ID	GOODRICH PART NUMBER	AIRCRAFT OEM P/N	DESCRIPTION	QTY PER AIRCRAFT	WT
1	23S-2015-13-1		NACELLE-BREAK LH DE-ICE BOOT (ALLOWS FOR LIFT TRANSDUCER)	1	2.4
2	23S-2015-12-2		NACELLE-BREAK RH DE-ICE BOOT	1	2.4
3	23S-2015-9-1		BREAK-TIP LH DE-ICE BOOT (ALLOWS FOR LIFT TRANSDUCER)	1	3.5
4	23S-2015-9-2		BREAK-TIP RH DE-ICE BOOT	1	3.5
5	23S-2015-3-1		HORIZONTAL STABILIZER LH DE-ICE BOOT	1	2.4
6	23S-2015-3-2		HORIZONTAL STABILIZER RH DE-ICE BOOT	1	2.4
7	23S-2015-7-1		VERTICAL STABILIZER DE-ICE BOOT	1	2.4



TWIN COMMANDER 680F(P) (WITH LIFT TRANSDUCER)

TWIN COMMANDER 680FL (GRAND COMMANDER) (WITHOUT LIFT TRANSDUCER)
STANDARD DE-ICE BOOTS

POSITION ID	GOODRICH PART NUMBER	AIRCRAFT OEM P/N	DESCRIPTION	QTY PER AIRCRAFT	WT
1	23S-2015-12-1		NACELLE-BREAK LH DE-ICE BOOT	1	2.5
2	23S-2015-12-2		NACELLE-BREAK RH DE-ICE BOOT	1	2.4
3	23S-2015-8-1		BREAK-TIP LH DE-ICE BOOT	1	3.5
4	23S-2015-9-2		BREAK-TIP RH DE-ICE BOOT	1	3.5
5	23S-2015-14-1		HORIZONTAL STABILIZER LH DE-ICE BOOT	1	2.4
6	23S-2015-14-2		HORIZONTAL STABILIZER RH DE-ICE BOOT	1	2.4
7	23S-2015-7-1		VERTICAL STABILIZER DE-ICE BOOT	1	2.4

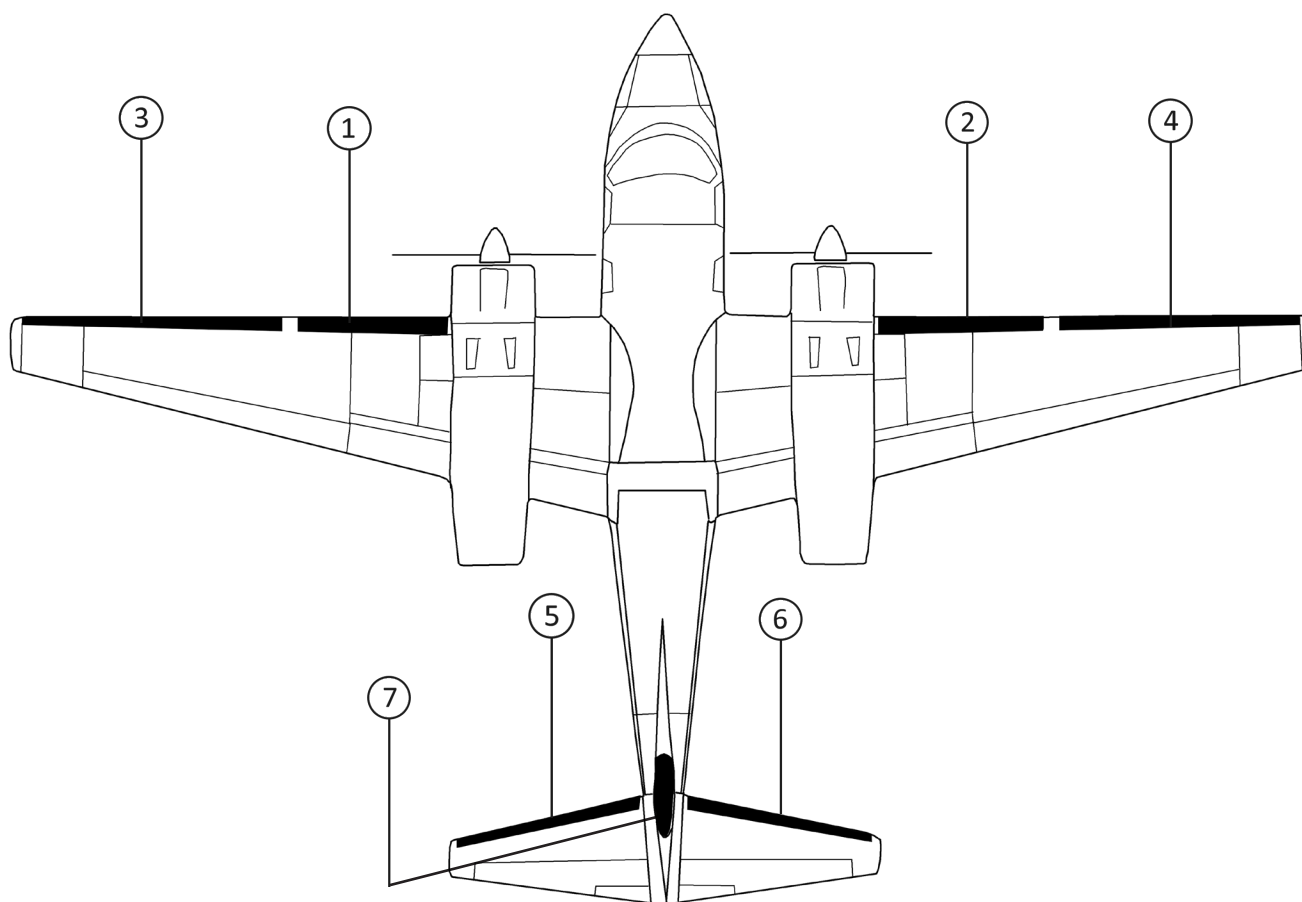


TWIN COMMANDER 680FL (GRAND COMMANDER) (WITHOUT LIFT TRANSDUCER)

TWIN COMMANDER 680FL (GRAND COMMANDER) (WITH LIFT TRANSDUCER)

STANDARD DE-ICE BOOTS

POSITION ID	GOODRICH PART NUMBER	AIRCRAFT OEM P/N	DESCRIPTION	QTY PER AIRCRAFT	WT
1	23S-2015-13-1		NACELLE-BREAK LH DE-ICE BOOT (ALLOWS FOR LIFT TRANSDUCER)	1	2.4
2	23S-2015-12-2		NACELLE-BREAK RH DE-ICE BOOT	1	2.4
3	23S-2015-9-1		BREAK-TIP LH DE-ICE BOOT (ALLOWS FOR LIFT TRANSDUCER)	1	3.5
4	23S-2015-9-2		BREAK-TIP RH DE-ICE BOOT	1	3.5
5	23S-2015-14-1		HORIZONTAL STABILIZER LH DE-ICE BOOT	1	2.4
6	23S-2015-14-2		HORIZONTAL STABILIZER RH DE-ICE BOOT	1	2.4
7	23S-2015-7-1		VERTICAL STABILIZER DE-ICE BOOT	1	2.4

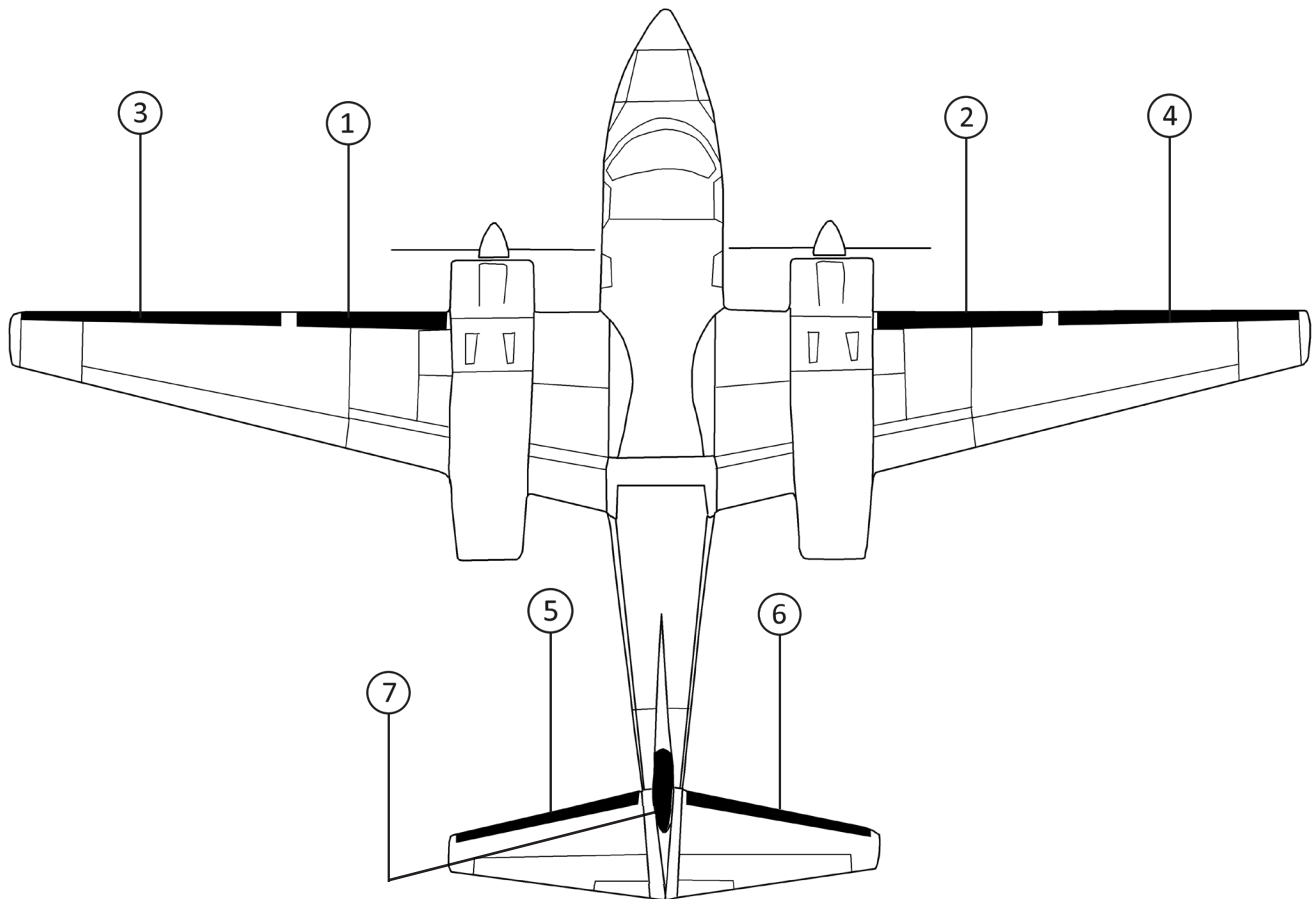


TWIN COMMANDER 680FL (GRAND COMMANDER) (WITH LIFT TRANSDUCER)

TWIN COMMANDER 680FL(P) (GRAND COMMANDER) (WITHOUT LIFT TRANSDUCER)

STANDARD DE-ICE BOOTS

POSITION ID	GOODRICH PART NUMBER	AIRCRAFT OEM P/N	DESCRIPTION	QTY PER AIRCRAFT	WT
1	23S-2015-12-1		NACELLE-BREAK LH DE-ICE BOOT	1	2.5
2	23S-2015-12-2		NACELLE-BREAK RH DE-ICE BOOT	1	2.4
3	23S-2015-8-1		BREAK-TIP LH DE-ICE BOOT	1	3.5
4	23S-2015-9-2		BREAK-TIP RH DE-ICE BOOT	1	3.5
5	23S-2015-14-1		HORIZONTAL STABILIZER LH DE-ICE BOOT	1	2.4
6	23S-2015-14-2		HORIZONTAL STABILIZER RH DE-ICE BOOT	1	2.4
7	23S-2015-7-1		VERTICAL STABILIZER DE-ICE BOOT	1	2.4

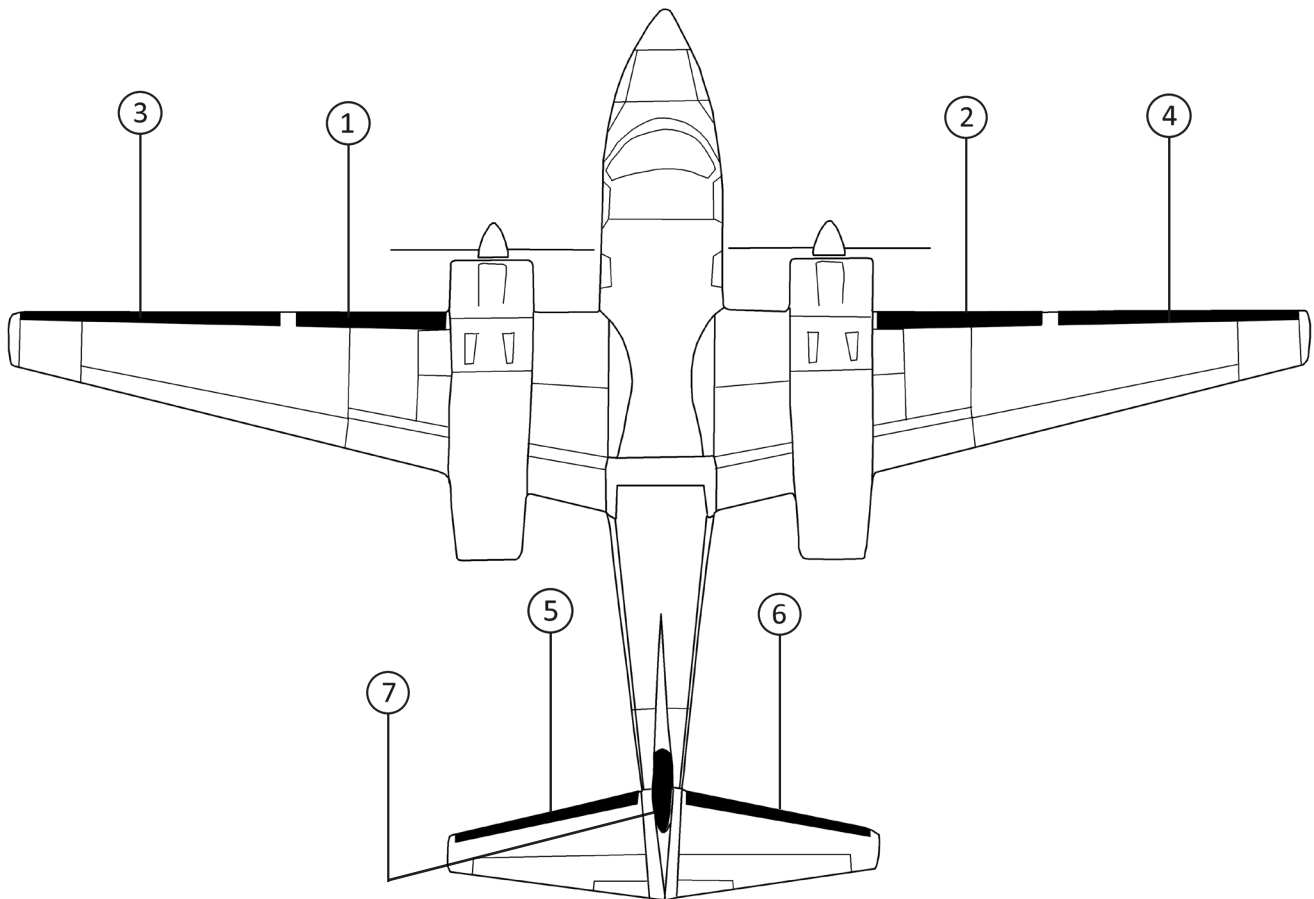


TWIN COMMANDER 680FL(P) (GRAND COMMANDER) (WITHOUT LIFT TRANSDUCER)

TWIN COMMANDER 680FL(P) (GRAND COMMANDER) (WITH LIFT TRANSDUCER)

STANDARD DE-ICE BOOTS

POSITION ID	GOODRICH PART NUMBER	AIRCRAFT OEM P/N	DESCRIPTION	QTY PER AIRCRAFT	WT
1	23S-2015-13-1		NACELLE-BREAK LH DE-ICE BOOT (ALLOWS FOR LIFT TRANSDUCER)	1	2.4
2	23S-2015-12-2		NACELLE-BREAK RH DE-ICE BOOT	1	2.4
3	23S-2015-9-1		BREAK-TIP LH DE-ICE BOOT (ALLOWS FOR LIFT TRANSDUCER)	1	3.5
4	23S-2015-9-2		BREAK-TIP RH DE-ICE BOOT	1	3.5
5	23S-2015-14-1		HORIZONTAL STABILIZER LH DE-ICE BOOT	1	2.4
6	23S-2015-14-2		HORIZONTAL STABILIZER RH DE-ICE BOOT	1	2.4
7	23S-2015-7-1		VERTICAL STABILIZER DE-ICE BOOT	1	2.4

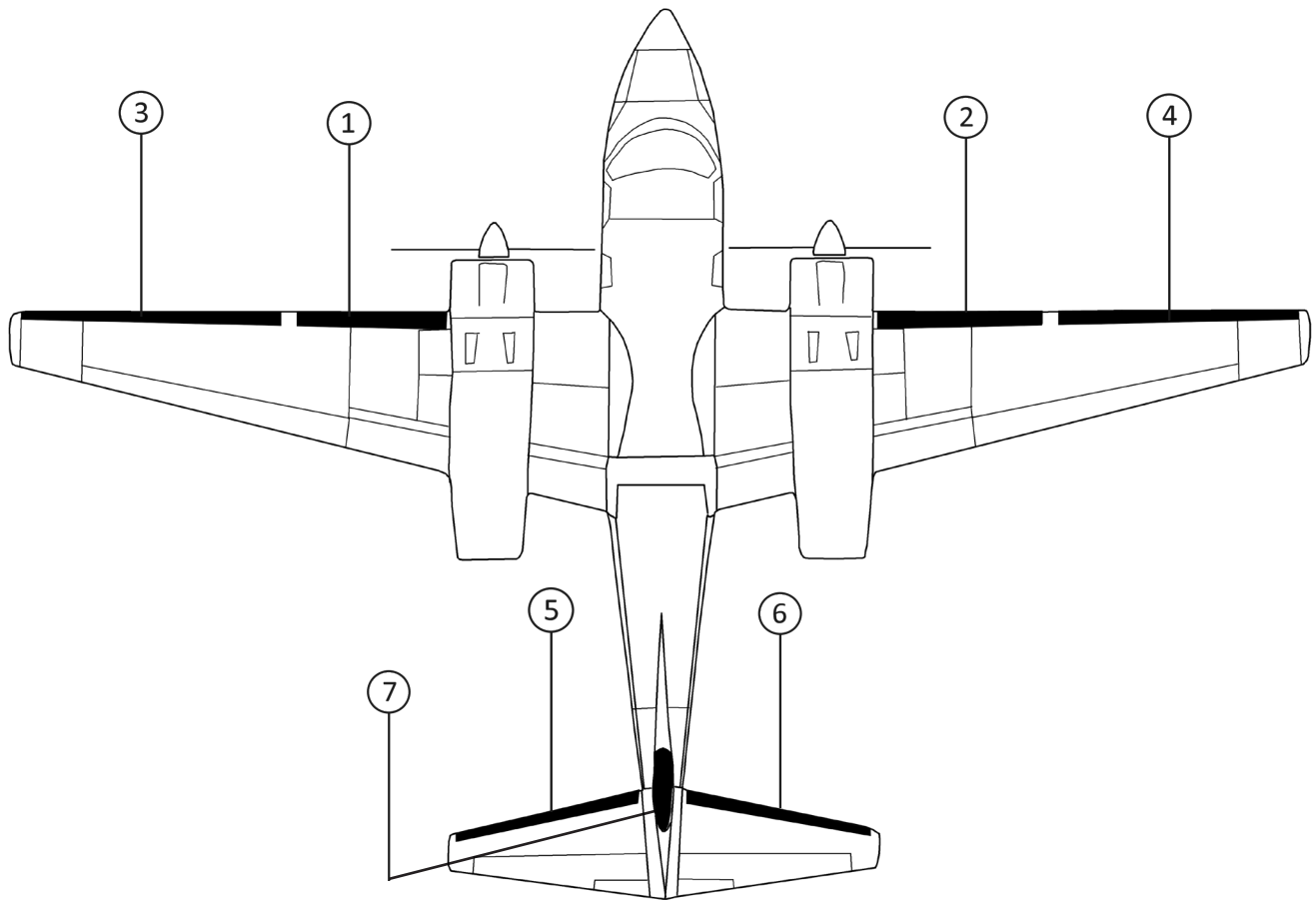


TWIN COMMANDER 680FL(P) (GRAND COMMANDER) (WITH LIFT TRANSDUCER)

TWIN COMMANDER 680T (TURBO COMMANDER) (WITHOUT LIFT TRANSDUCER)

STANDARD DE-ICE BOOTS

POSITION ID	GOODRICH PART NUMBER	AIRCRAFT OEM P/N	DESCRIPTION	QTY PER AIRCRAFT	WT
1	23S-2015-12-1		NACELLE-BREAK LH DE-ICE BOOT	1	2.5
2	23S-2015-12-2		NACELLE-BREAK RH DE-ICE BOOT	1	2.4
3	23S-2015-2-1		BREAK-TIP LH DE-ICE BOOT	1	2.8
4	23S-2015-2-2		BREAK-TIP RH DE-ICE BOOT	1	2.7
5	23S-2015-14-1		HORIZONTAL STABILIZER LH DE-ICE BOOT	1	2.4
6	23S-2015-14-2		HORIZONTAL STABILIZER RH DE-ICE BOOT	1	2.4
7	23S-2015-7-1		VERTICAL STABILIZER DE-ICE BOOT	1	2.4

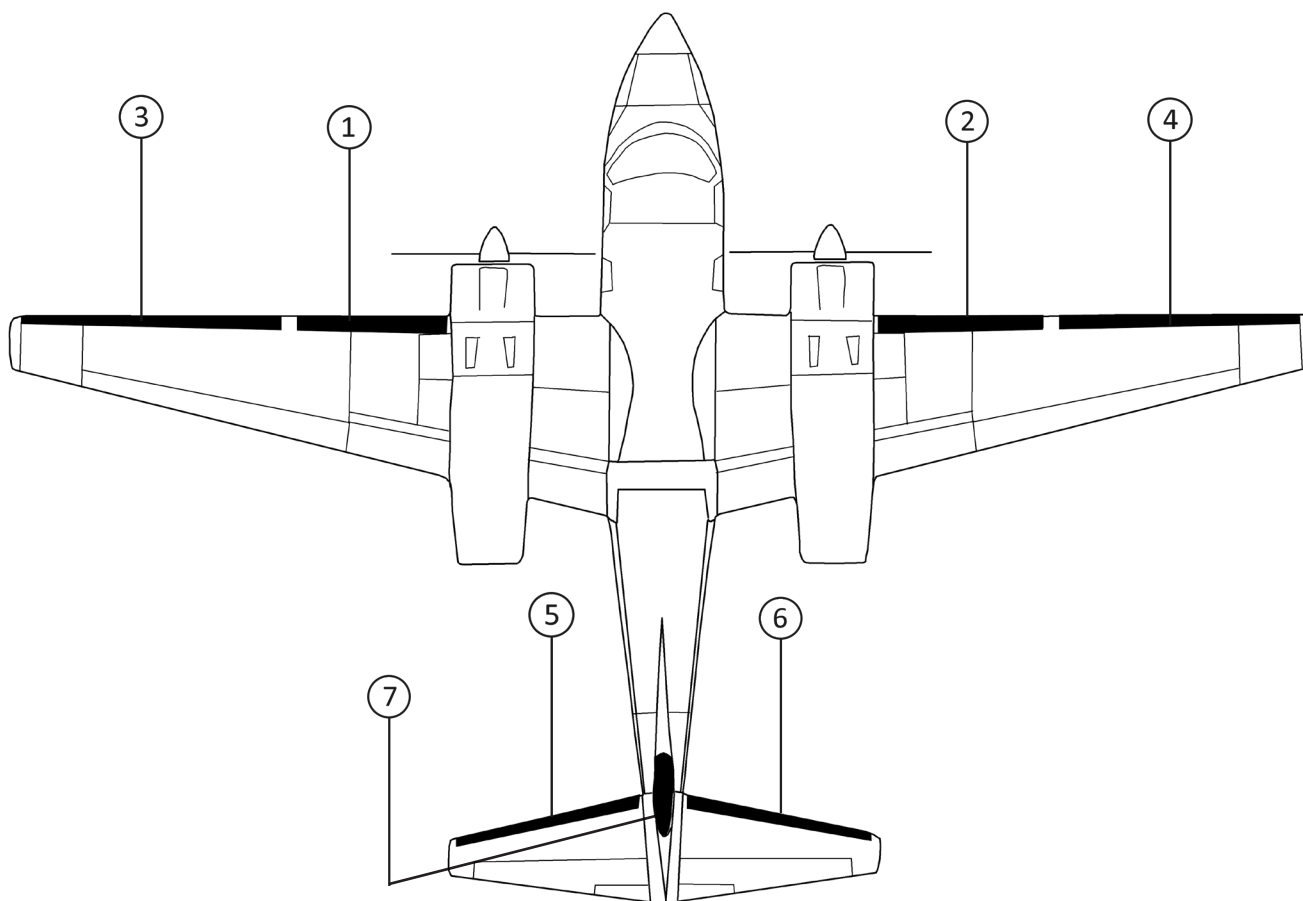


TWIN COMMANDER 680T (TURBO COMMANDER) (WITHOUT LIFT TRANSDUCER)

TWIN COMMANDER 680T (TURBO COMMANDER) (WITH LIFT TRANSDUCER)

STANDARD DE-ICE BOOTS

POSITION ID	GOODRICH PART NUMBER	AIRCRAFT OEM P/N	DESCRIPTION	QTY PER AIRCRAFT	WT
1	23S-2015-13-1		NACELLE-BREAK LH DE-ICE BOOT (ALLOWS FOR LIFT TRANSDUCER)	1	2.4
2	23S-2015-12-2		NACELLE-BREAK RH DE-ICE BOOT	1	2.4
3	23S-2015-9-1		BREAK-TIP LH DE-ICE BOOT (ALLOWS FOR LIFT TRANSDUCER)	1	3.5
4	23S-2015-2-2		BREAK-TIP RH DE-ICE BOOT	1	2.7
5	23S-2015-14-1		HORIZONTAL STABILIZER LH DE-ICE BOOT	1	2.4
6	23S-2015-14-2		HORIZONTAL STABILIZER RH DE-ICE BOOT	1	2.4
7	23S-2015-7-1		VERTICAL STABILIZER DE-ICE BOOT	1	2.4

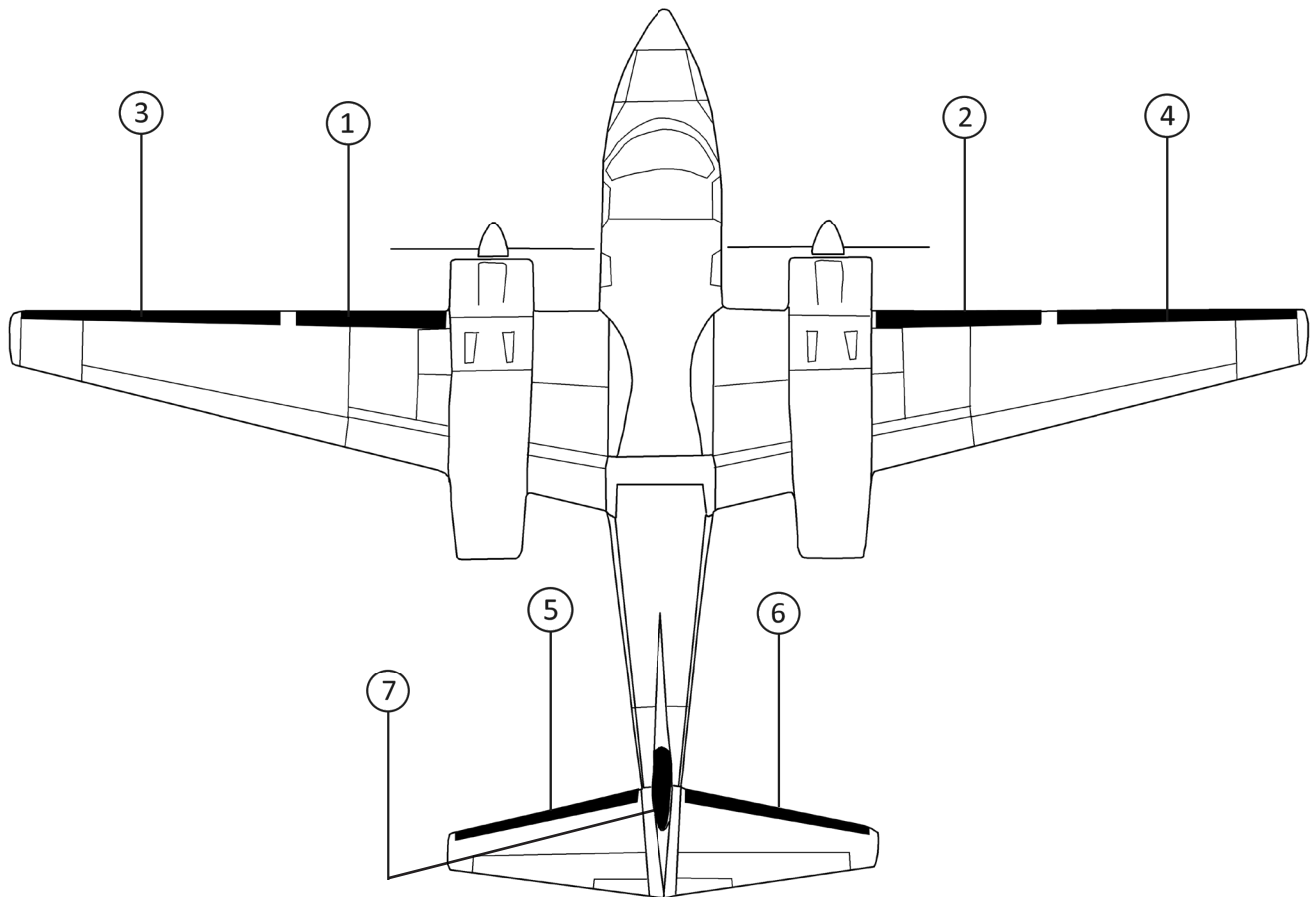


TWIN COMMANDER 680T (TURBO COMMANDER) (WITH LIFT TRANSDUCER)

TWIN COMMANDER 680V (TURBO COMMANDER) (WITHOUT LIFT TRANSDUCER)

STANDARD DE-ICE BOOTS

POSITION ID	GOODRICH PART NUMBER	AIRCRAFT OEM P/N	DESCRIPTION	QTY PER AIRCRAFT	WT
1	23S-2015-12-1		NACELLE-BREAK LH DE-ICE BOOT	1	2.5
2	23S-2015-12-2		NACELLE-BREAK RH DE-ICE BOOT	1	2.4
3	23S-2015-2-1		BREAK-TIP LH DE-ICE BOOT	1	2.8
4	23S-2015-2-2		BREAK-TIP RH DE-ICE BOOT	1	2.7
5	23S-2015-14-1		HORIZONTAL STABILIZER LH DE-ICE BOOT	1	2.4
6	23S-2015-14-2		HORIZONTAL STABILIZER RH DE-ICE BOOT	1	2.4
7	23S-2015-7-1		VERTICAL STABILIZER DE-ICE BOOT	1	2.4

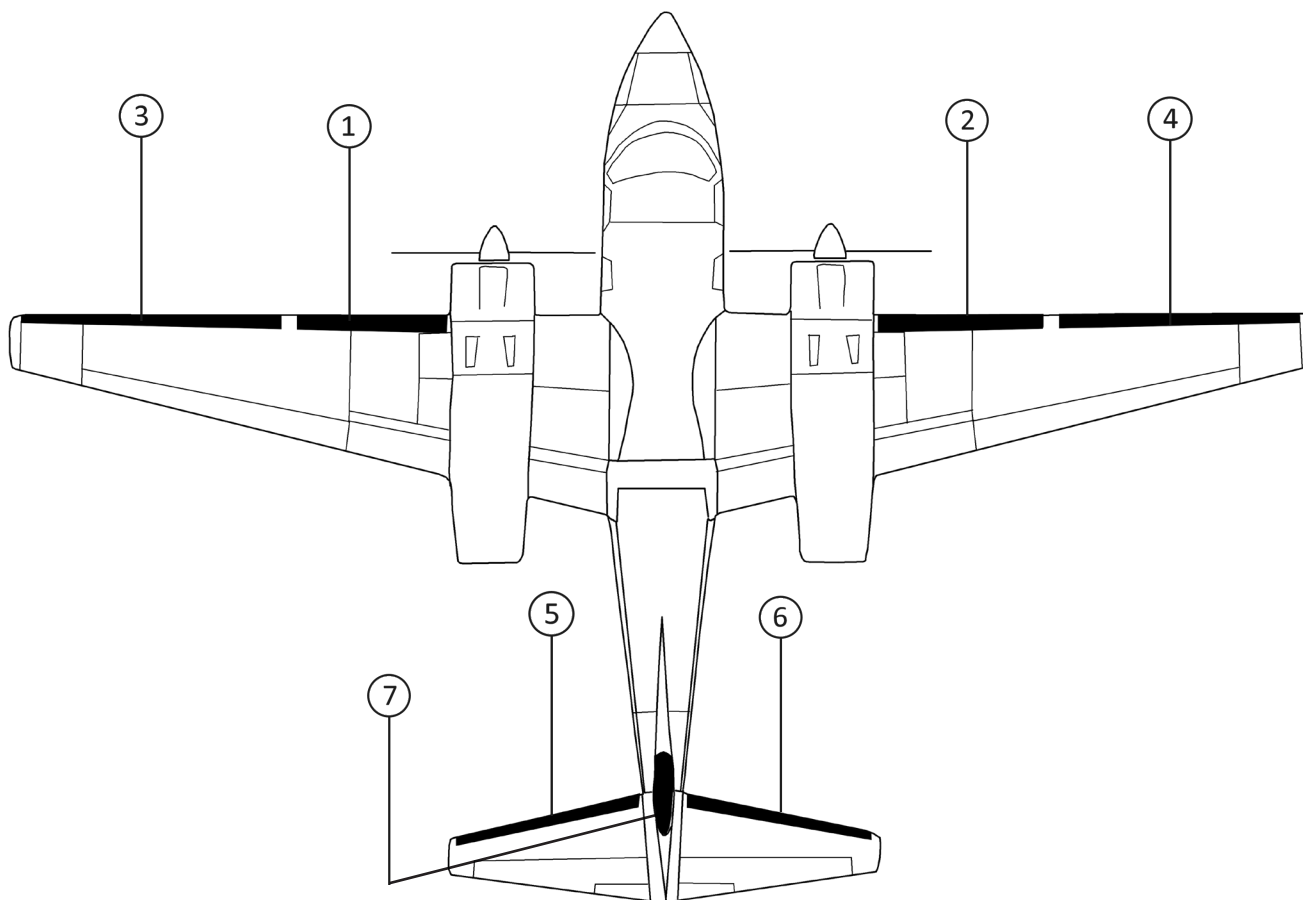


TWIN COMMANDER 680V (TURBO COMMANDER) (WITHOUT LIFT TRANSDUCER)

TWIN COMMANDER 680V (TURBO COMMANDER) (WITH LIFT TRANSDUCER)

STANDARD DE-ICE BOOTS

POSITION ID	GOODRICH PART NUMBER	AIRCRAFT OEM P/N	DESCRIPTION	QTY PER AIRCRAFT	WT
1	23S-2015-13-1		NACELLE-BREAK LH DE-ICE BOOT (ALLOWS FOR LIFT TRANSDUCER)	1	2.4
2	23S-2015-12-2		NACELLE-BREAK RH DE-ICE BOOT	1	2.4
3	23S-2015-9-1		BREAK-TIP LH DE-ICE BOOT (ALLOWS FOR LIFT TRANSDUCER)	1	3.5
4	23S-2015-2-2		BREAK-TIP RH DE-ICE BOOT	1	2.7
5	23S-2015-14-1		HORIZONTAL STABILIZER LH DE-ICE BOOT	1	2.4
6	23S-2015-14-2		HORIZONTAL STABILIZER RH DE-ICE BOOT	1	2.4
7	23S-2015-7-1		VERTICAL STABILIZER DE-ICE BOOT	1	2.4

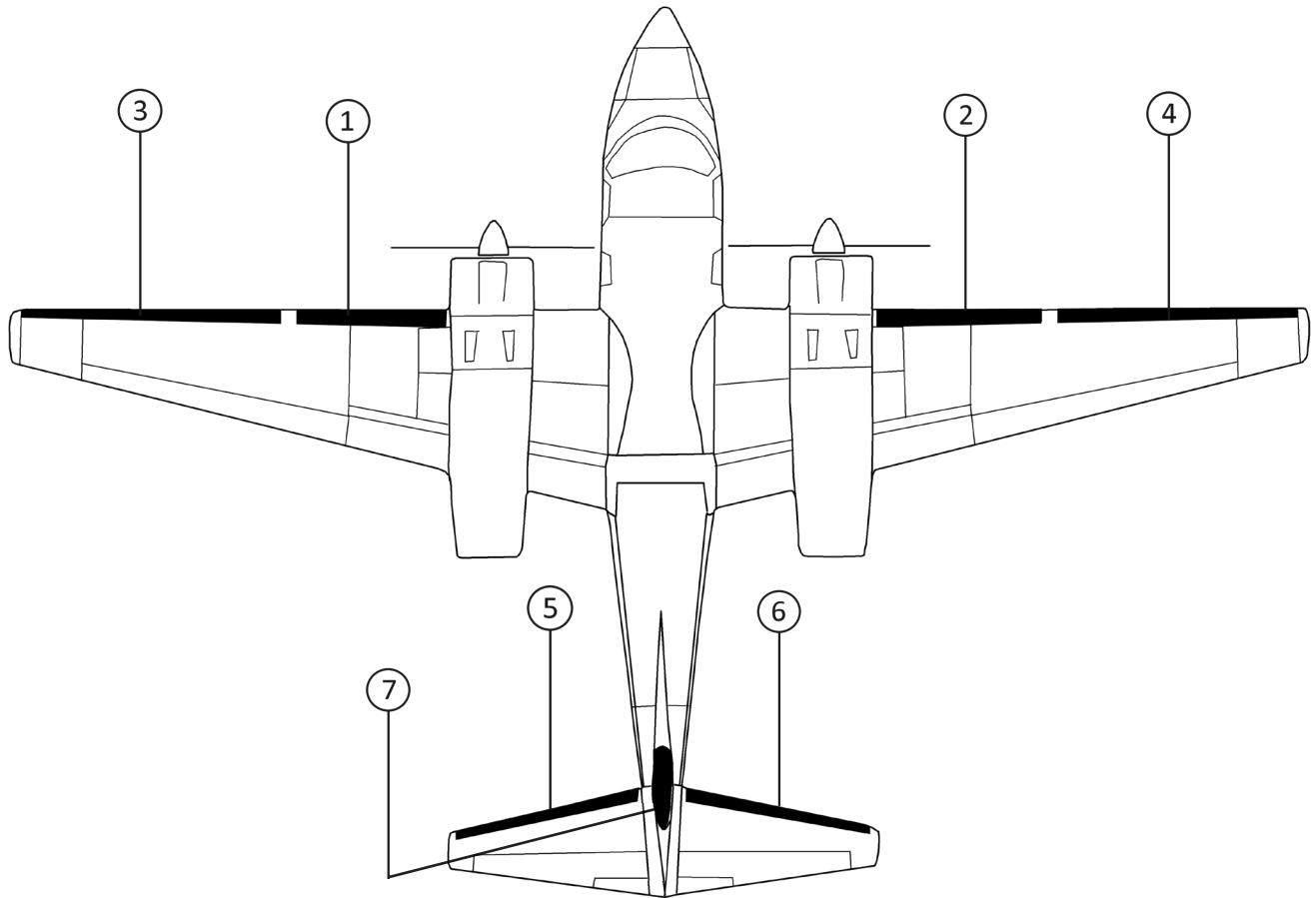


TWIN COMMANDER 680V (TURBO COMMANDER) (WITH LIFT TRANSDUCER)

TWIN COMMANDER 680W (TURBO II COMMANDER) (WITHOUT LIFT TRANSDUCER)

STANDARD DE-ICE BOOTS

POSITION ID	GOODRICH PART NUMBER	AIRCRAFT OEM P/N	DESCRIPTION	QTY PER AIRCRAFT	WT
1	23S-2015-12-1		NACELLE-BREAK LH DE-ICE BOOT	1	2.5
2	23S-2015-12-2		NACELLE-BREAK RH DE-ICE BOOT	1	2.4
3	23S-2015-2-1		BREAK-TIP LH DE-ICE BOOT	1	2.8
4	23S-2015-2-2		BREAK-TIP RH DE-ICE BOOT	1	2.7
5	23S-2015-14-1		HORIZONTAL STABILIZER LH DE-ICE BOOT	1	2.4
6	23S-2015-14-2		HORIZONTAL STABILIZER RH DE-ICE BOOT	1	2.4
7	23S-2015-7-1		VERTICAL STABILIZER DE-ICE BOOT	1	2.4

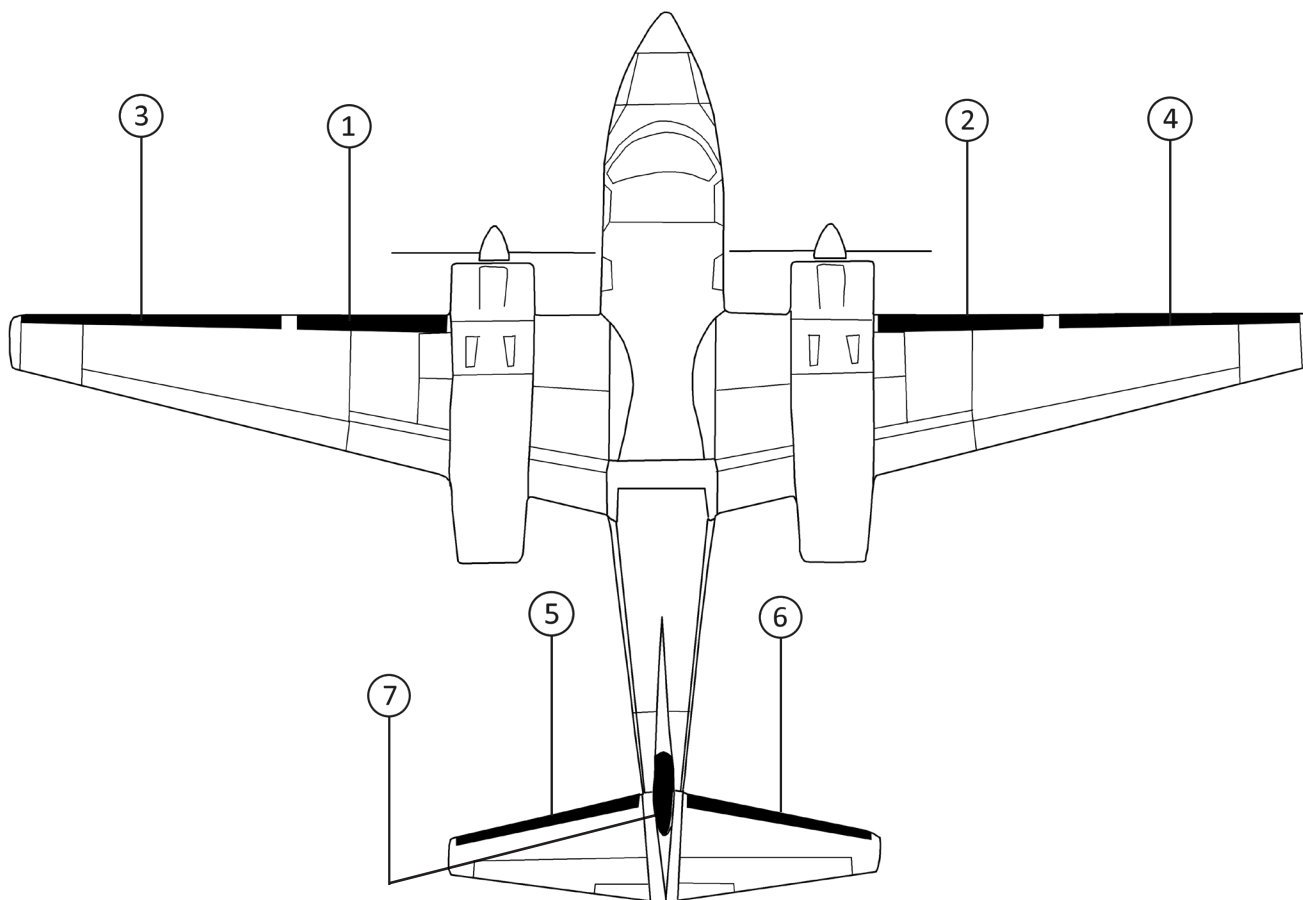


TWIN COMMANDER 680W (TURBO II COMMANDER) (WITHOUT LIFT TRANSDUCER)

TWIN COMMANDER 680W (TURBO II COMMANDER) (WITH LIFT TRANSDUCER)

STANDARD DE-ICE BOOTS

POSITION ID	GOODRICH PART NUMBER	AIRCRAFT OEM P/N	DESCRIPTION	QTY PER AIRCRAFT	WT
1	23S-2015-13-1		NACELLE-BREAK LH DE-ICE BOOT (ALLOWS FOR LIFT TRANSDUCER)	1	2.4
2	23S-2015-12-2		NACELLE-BREAK RH DE-ICE BOOT	1	2.4
3	23S-2015-9-1		BREAK-TIP LH DE-ICE BOOT (ALLOWS FOR LIFT TRANSDUCER)	1	3.5
4	23S-2015-2-2		BREAK-TIP RH DE-ICE BOOT	1	2.7
5	23S-2015-14-1		HORIZONTAL STABILIZER LH DE-ICE BOOT	1	2.4
6	23S-2015-14-2		HORIZONTAL STABILIZER RH DE-ICE BOOT	1	2.4
7	23S-2015-7-1		VERTICAL STABILIZER DE-ICE BOOT	1	2.4

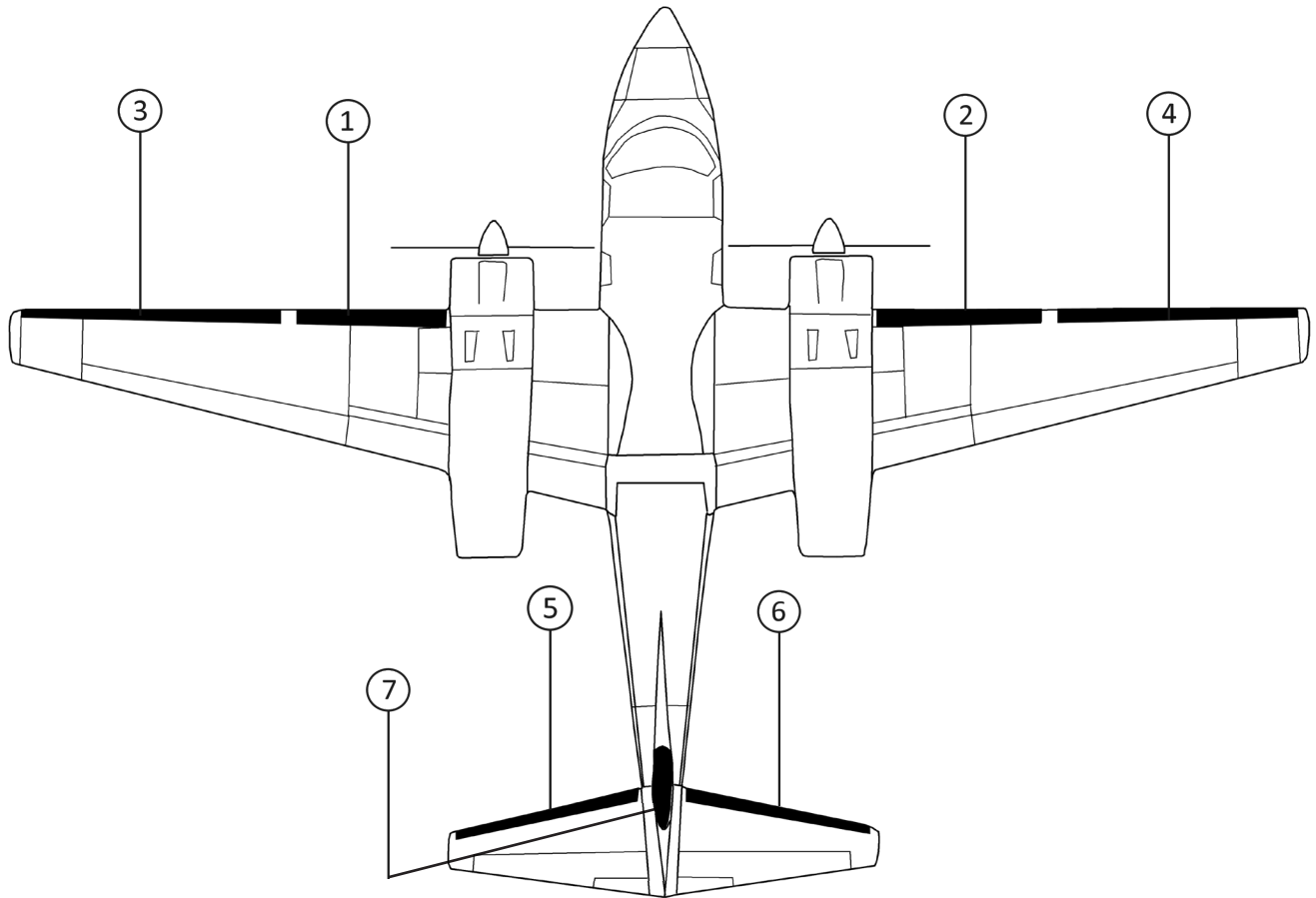


TWIN COMMANDER 680W (TURBO II COMMANDER) (WITH LIFT TRANSDUCER)

TWIN COMMANDER 681 (HAWK COMMANDER) (WITHOUT LIFT TRANSDUCER)

STANDARD DE-ICE BOOTS

POSITION ID	GOODRICH PART NUMBER	AIRCRAFT OEM P/N	DESCRIPTION	QTY PER AIRCRAFT	WT
1	23S-2015-12-1		NACELLE-BREAK LH DE-ICE BOOT	1	2.5
2	23S-2015-12-2		NACELLE-BREAK RH DE-ICE BOOT	1	2.4
3	23S-2015-2-1		BREAK-TIP LH DE-ICE BOOT	1	2.8
4	23S-2015-2-2		BREAK-TIP RH DE-ICE BOOT	1	2.7
5	23S-2015-14-1		HORIZONTAL STABILIZER LH DE-ICE BOOT	1	2.4
6	23S-2015-14-2		HORIZONTAL STABILIZER RH DE-ICE BOOT	1	2.4
7	23S-2015-7-1		VERTICAL STABILIZER DE-ICE BOOT	1	2.4

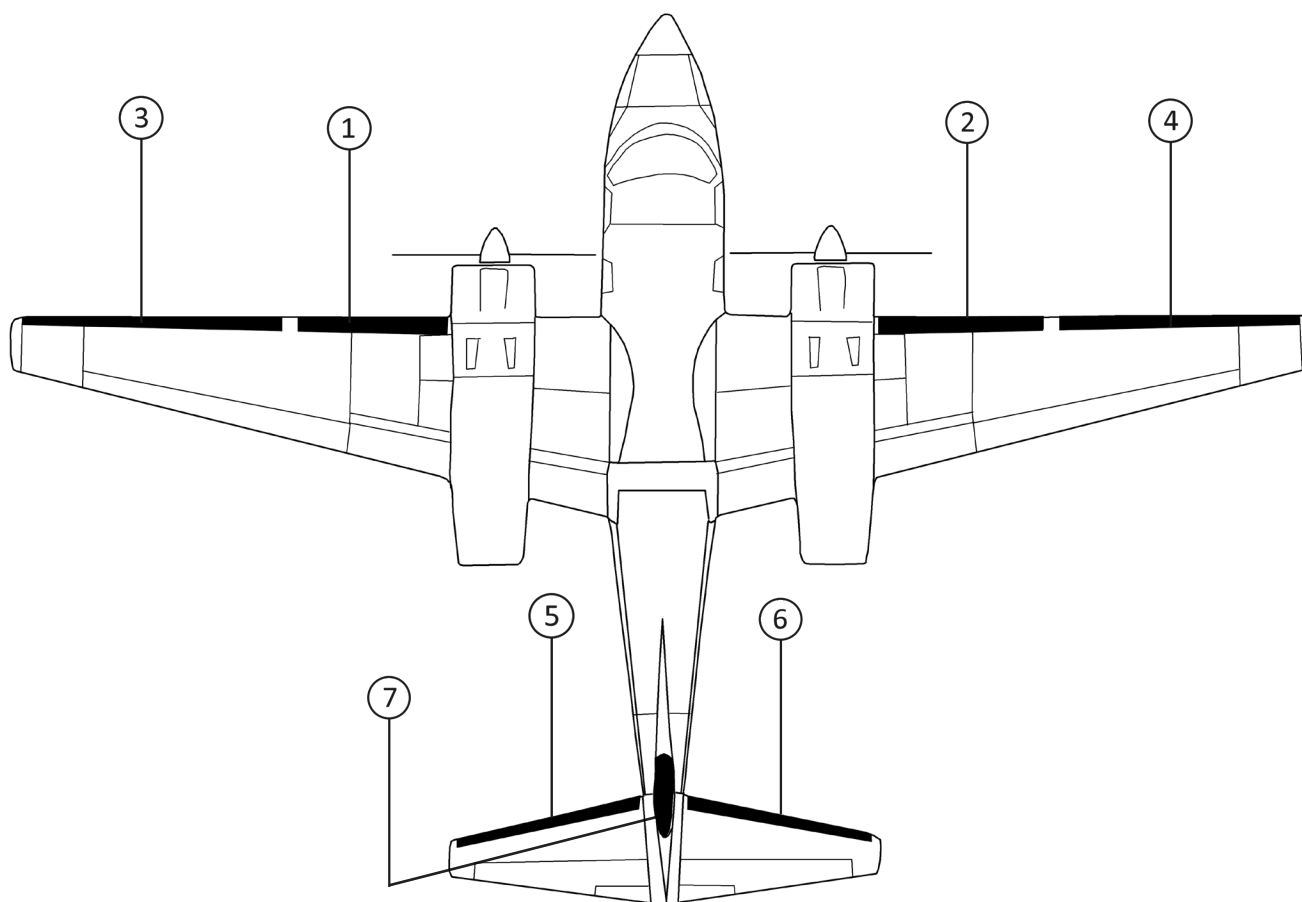


TWIN COMMANDER 681 (HAWK COMMANDER) (WITHOUT LIFT TRANSDUCER)

TWIN COMMANDER 681 (HAWK COMMANDER) (WITH LIFT TRANSDUCER)

STANDARD DE-ICE BOOTS

POSITION ID	GOODRICH PART NUMBER	AIRCRAFT OEM P/N	DESCRIPTION	QTY PER AIRCRAFT	WT
1	23S-2015-13-1		NACELLE-BREAK LH DE-ICE BOOT (ALLOWS FOR LIFT TRANSDUCER)	1	2.4
2	23S-2015-12-2		NACELLE-BREAK RH DE-ICE BOOT	1	2.4
3	23S-2015-9-1		BREAK-TIP LH DE-ICE BOOT (ALLOWS FOR LIFT TRANSDUCER)	1	3.5
4	23S-2015-2-2		BREAK-TIP RH DE-ICE BOOT	1	2.7
5	23S-2015-14-1		HORIZONTAL STABILIZER LH DE-ICE BOOT	1	2.4
6	23S-2015-14-2		HORIZONTAL STABILIZER RH DE-ICE BOOT	1	2.4
7	23S-2015-7-1		VERTICAL STABILIZER DE-ICE BOOT	1	2.4



TWIN COMMANDER 681 (HAWK COMMANDER) (WITH LIFT TRANSDUCER)

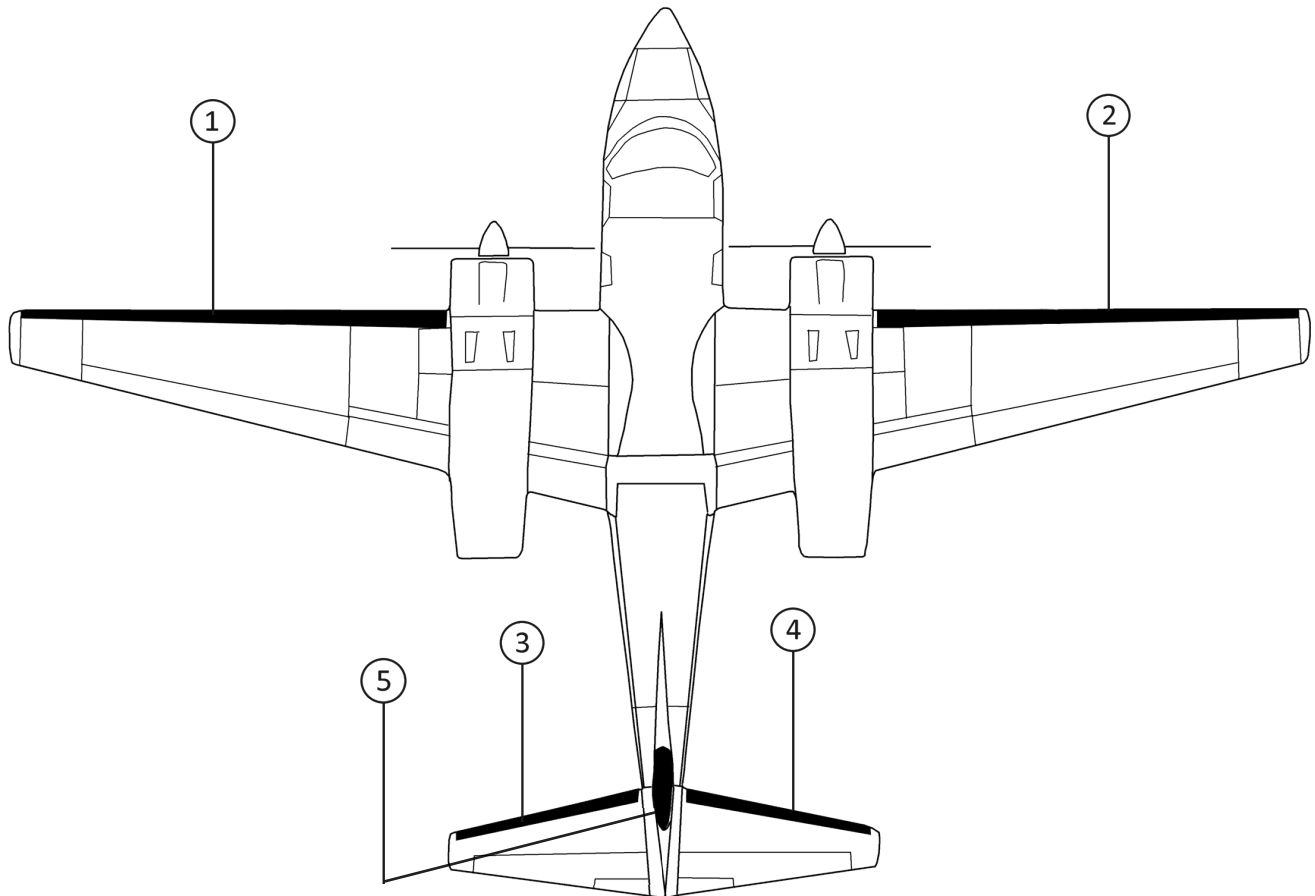
TWIN COMMANDER 685 (COMMANDER)

STANDARD DE-ICE BOOTS

POSITION ID	GOODRICH PART NUMBER	AIRCRAFT OEM P/N	DESCRIPTION	QTY PER AIRCRAFT	WT
1	25S-7D5015-01		NACELLE-TIP LH DE-ICE BOOT	1	4.2
2	25S-7D5015-02		NACELLE-TIP RH DE-ICE BOOT	1	4.2
3	25S-7D5015-03		HORIZONTAL STABILIZER LH DE-ICE BOOT	1	2.6
4	25S-7D5015-04		HORIZONTAL STABILIZER RH DE-ICE BOOT	1	2.6
5	25S-7D5015-05		VERTICAL STABILIZER DE-ICE BOOT	1	1.7

FASTboot® DE-ICE BOOTS

POSITION ID	GOODRICH PART NUMBER	AIRCRAFT OEM P/N	DESCRIPTION	QTY PER AIRCRAFT	WT
1	P25S-7D5015-01		FASTBOOT® NACELLE-TIP LH DE-ICE BOOT	1	4.2
2	P25S-7D5015-02		FASTBOOT® NACELLE-TIP RH DE-ICE BOOT	1	4.2
3	P25S-7D5015-03		FASTBOOT® HORIZONTAL STABILIZER LH DE-ICE BOOT	1	2.6
4	P25S-7D5015-04		FASTBOOT® HORIZONTAL STABILIZER RH DE-ICE BOOT	1	2.6
5	P25S-7D5015-05		FASTBOOT® VERTICAL STABILIZER DE-ICE BOOT	1	1.7


TWIN COMMANDER 685 (COMMANDER)

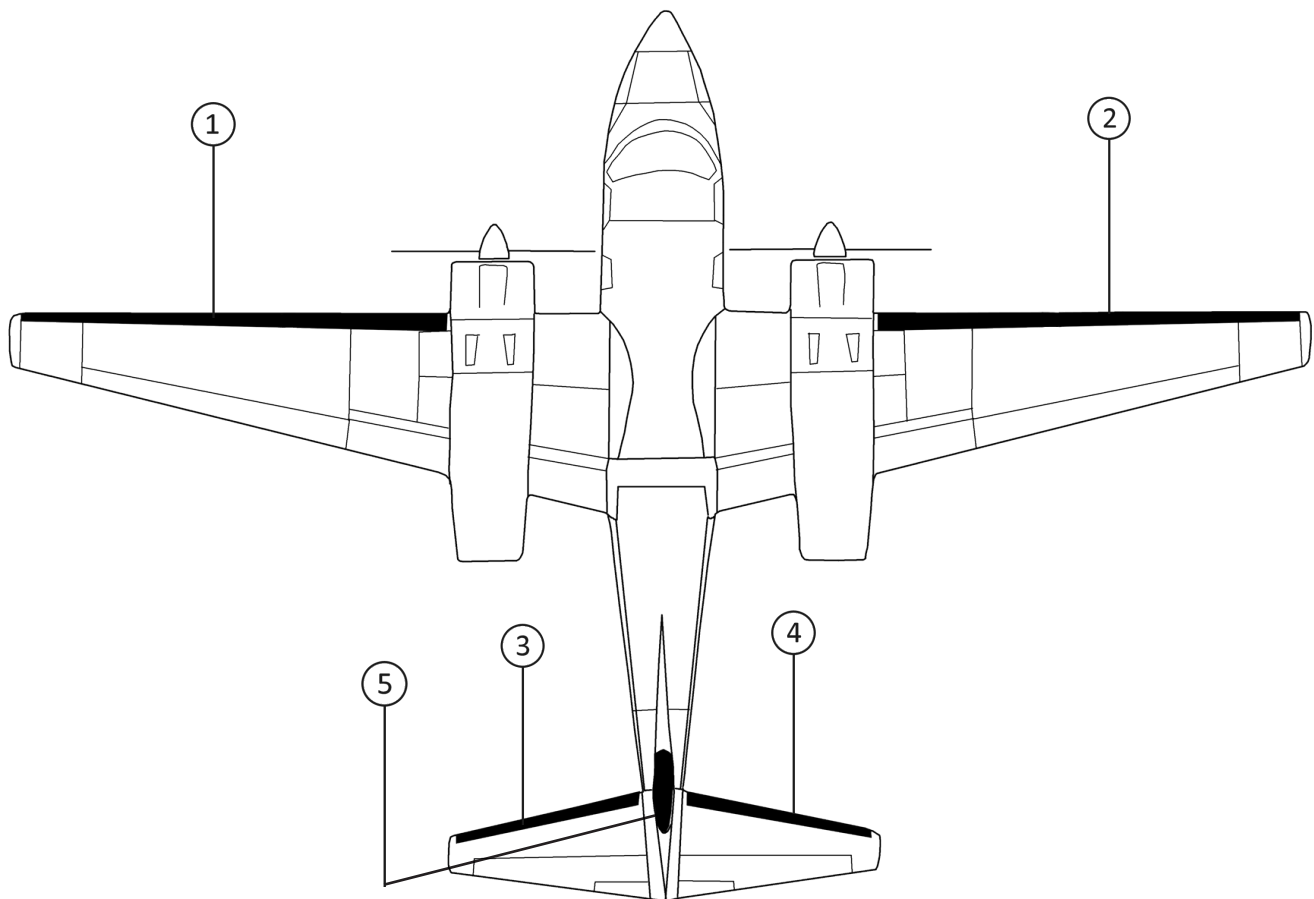
TWIN COMMANDER 690

STANDARD DE-ICE BOOTS

POSITION ID	GOODRICH PART NUMBER	AIRCRAFT OEM P/N	DESCRIPTION	QTY PER AIRCRAFT	WT
1	25S-7D5015-01		NACELLE-TIP LH DE-ICE BOOT	1	4.2
2	25S-7D5015-02		NACELLE-TIP RH DE-ICE BOOT	1	4.2
3	25S-7D5015-03		HORIZONTAL STABILIZER LH DE-ICE BOOT	1	2.6
4	25S-7D5015-04		HORIZONTAL STABILIZER RH DE-ICE BOOT	1	2.6
5	25S-7D5015-05		VERTICAL STABILIZER DE-ICE BOOT	1	1.7

FASTboot® DE-ICE BOOTS

POSITION ID	GOODRICH PART NUMBER	AIRCRAFT OEM P/N	DESCRIPTION	QTY PER AIRCRAFT	WT
1	P25S-7D5015-01		FASTBOOT® NACELLE-TIP LH DE-ICE BOOT	1	4.2
2	P25S-7D5015-02		FASTBOOT® NACELLE-TIP RH DE-ICE BOOT	1	4.2
3	P25S-7D5015-03		FASTBOOT® HORIZONTAL STABILIZER LH DE-ICE BOOT	1	2.6
4	P25S-7D5015-04		FASTBOOT® HORIZONTAL STABILIZER RH DE-ICE BOOT	1	2.6
5	P25S-7D5015-05		FASTBOOT® VERTICAL STABILIZER DE-ICE BOOT	1	1.7



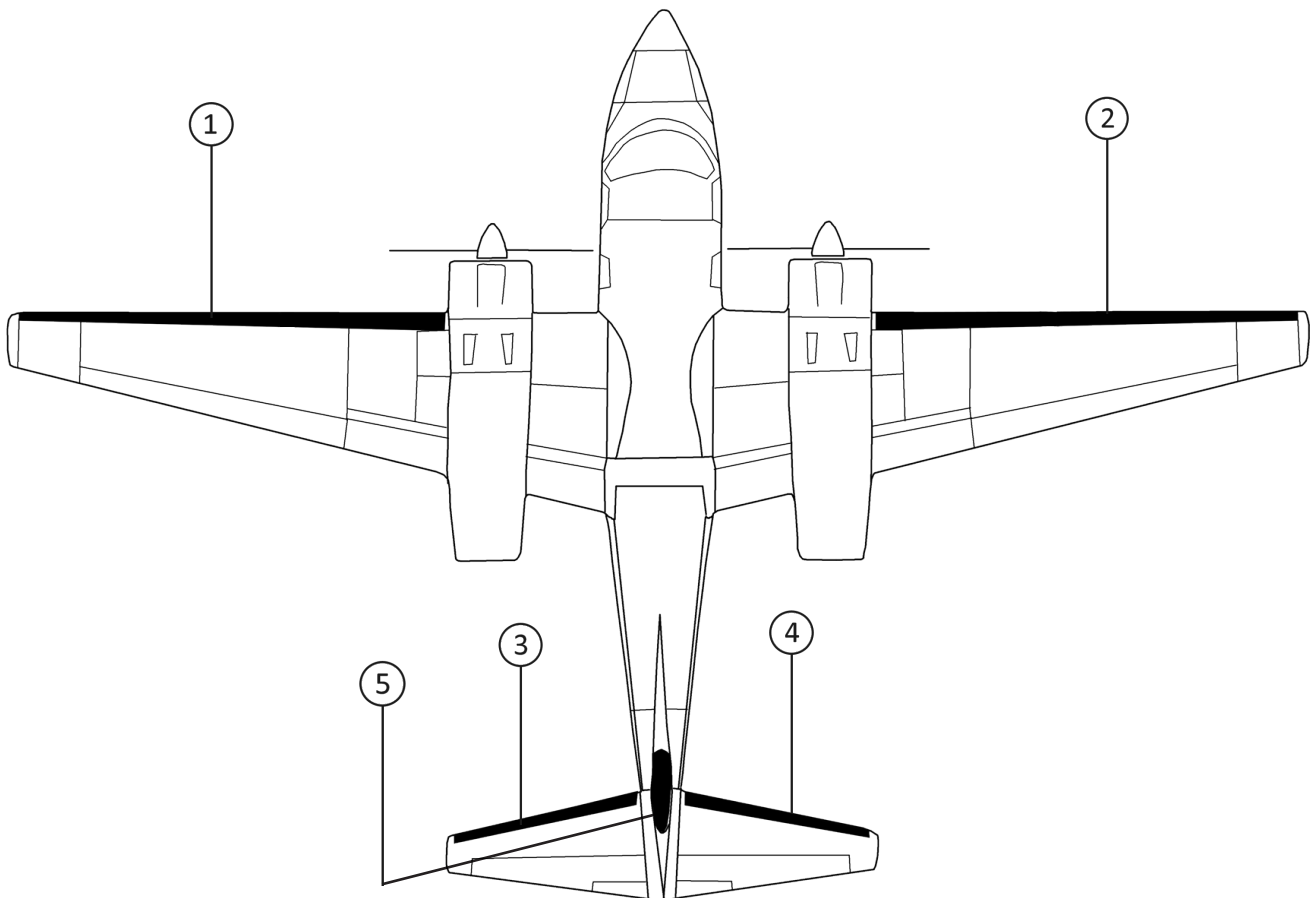
TWIN COMMANDER 690

TWIN COMMANDER 690A
STANDARD DE-ICE BOOTS

POSITION ID	GOODRICH PART NUMBER	AIRCRAFT OEM P/N	DESCRIPTION	QTY PER AIRCRAFT	WT
1	25S-7D5015-01		NACELLE-TIP LH DE-ICE BOOT	1	4.2
2	25S-7D5015-02		NACELLE-TIP RH DE-ICE BOOT	1	4.2
3	25S-7D5015-03		HORIZONTAL STABILIZER LH DE-ICE BOOT	1	2.6
4	25S-7D5015-04		HORIZONTAL STABILIZER RH DE-ICE BOOT	1	2.6
5	25S-7D5015-05		VERTICAL STABILIZER DE-ICE BOOT	1	1.7

FASTboot® DE-ICE BOOTS

POSITION ID	GOODRICH PART NUMBER	AIRCRAFT OEM P/N	DESCRIPTION	QTY PER AIRCRAFT	WT
1	P25S-7D5015-01		FASTBOOT® NACELLE-TIP LH DE-ICE BOOT	1	4.2
2	P25S-7D5015-02		FASTBOOT® NACELLE-TIP RH DE-ICE BOOT	1	4.2
3	P25S-7D5015-03		FASTBOOT® HORIZONTAL STABILIZER LH DE-ICE BOOT	1	2.6
4	P25S-7D5015-04		FASTBOOT® HORIZONTAL STABILIZER RH DE-ICE BOOT	1	2.6
5	P25S-7D5015-05		FASTBOOT® VERTICAL STABILIZER DE-ICE BOOT	1	1.7


TWIN COMMANDER 690A

TWIN COMMANDER 690B

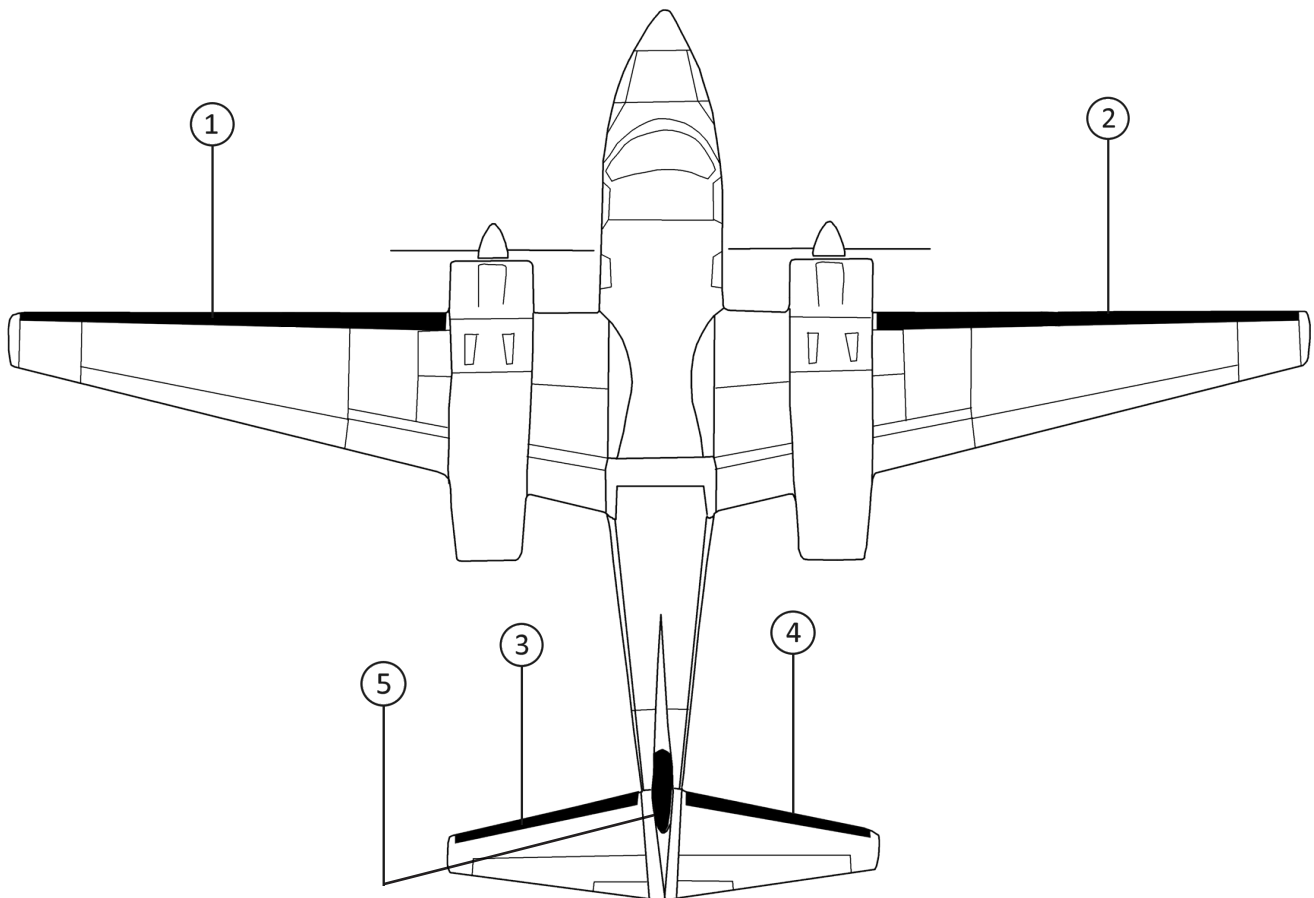
TWIN COMMANDER 690B

STANDARD DE-ICE BOOTS

POSITION ID	GOODRICH PART NUMBER	AIRCRAFT OEM P/N	DESCRIPTION	QTY PER AIRCRAFT	WT
1	25S-7D5015-01		NACELLE-TIP LH DE-ICE BOOT	1	4.2
2	25S-7D5015-02		NACELLE-TIP RH DE-ICE BOOT	1	4.2
3	25S-7D5015-03		HORIZONTAL STABILIZER LH DE-ICE BOOT	1	2.6
4	25S-7D5015-04		HORIZONTAL STABILIZER RH DE-ICE BOOT	1	2.6
5	25S-7D5015-05		VERTICAL STABILIZER DE-ICE BOOT	1	1.7

FASTboot® DE-ICE BOOTS

POSITION ID	GOODRICH PART NUMBER	AIRCRAFT OEM P/N	DESCRIPTION	QTY PER AIRCRAFT	WT
1	P25S-7D5015-01		FASTBOOT® NACELLE-TIP LH DE-ICE BOOT	1	4.2
2	P25S-7D5015-02		FASTBOOT® NACELLE-TIP RH DE-ICE BOOT	1	4.2
3	P25S-7D5015-03		FASTBOOT® HORIZONTAL STABILIZER LH DE-ICE BOOT	1	2.6
4	P25S-7D5015-04		FASTBOOT® HORIZONTAL STABILIZER RH DE-ICE BOOT	1	2.6
5	P25S-7D5015-05		FASTBOOT® VERTICAL STABILIZER DE-ICE BOOT	1	1.7



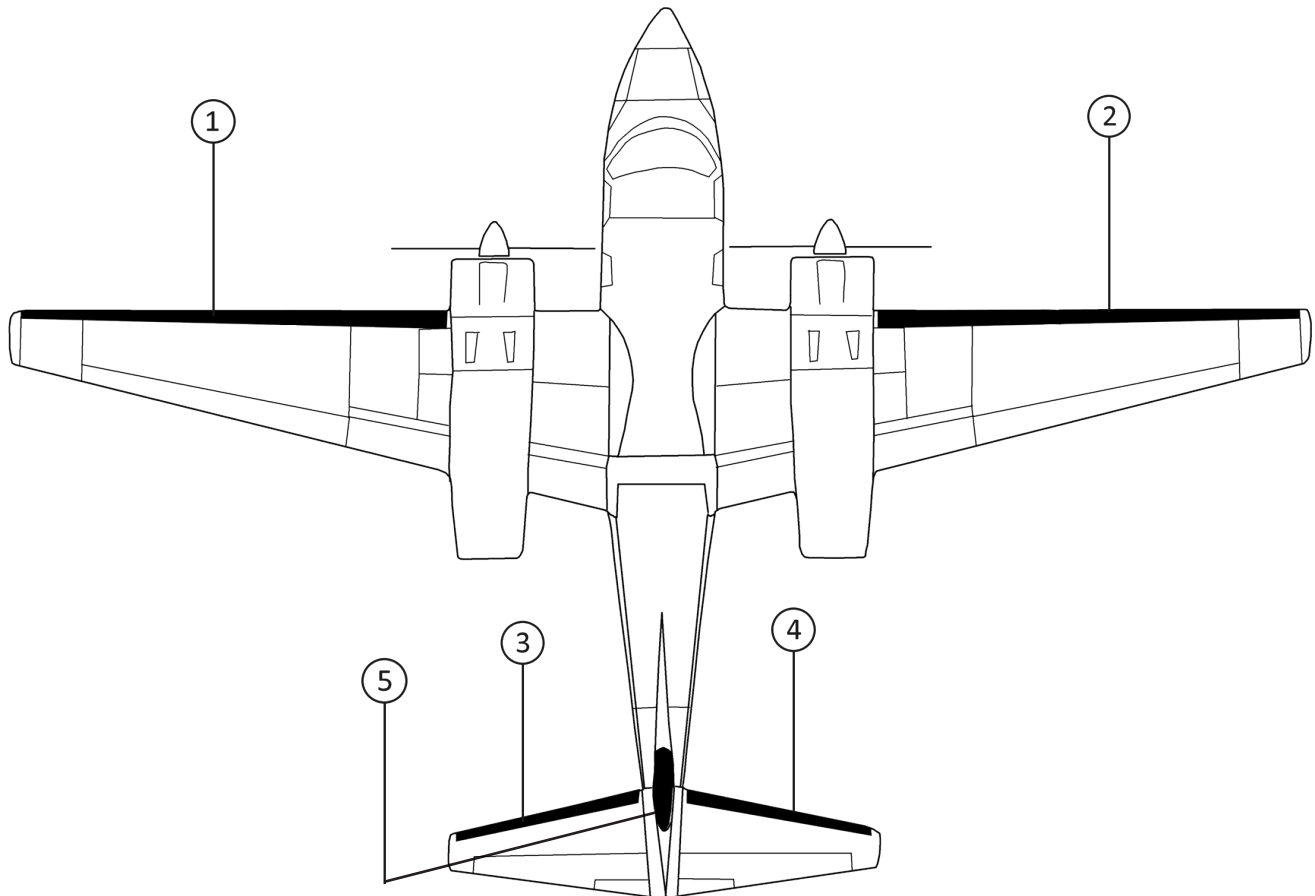
TWIN COMMANDER 690C (JETPROP 840) S/N 11601 THRU 11718

STANDARD DE-ICE BOOTS

POSITION ID	GOODRICH PART NUMBER	AIRCRAFT OEM P/N	DESCRIPTION	QTY PER AIRCRAFT	WT
1	25S-7D5015-07		NACELLE-TIP LH DE-ICE BOOT	1	5.0
2	25S-7D5015-08		NACELLE-TIP RH DE-ICE BOOT	1	5.0
3	25S-7D5015-03		HORIZONTAL STABILIZER LH DE-ICE BOOT	1	2.6
4	25S-7D5015-04		HORIZONTAL STABILIZER RH DE-ICE BOOT	1	2.6
5	25S-7D5015-05		VERTICAL STABILIZER DE-ICE BOOT	1	1.7

FASTboot® DE-ICE BOOTS

POSITION ID	GOODRICH PART NUMBER	AIRCRAFT OEM P/N	DESCRIPTION	QTY PER AIRCRAFT	WT
1	P25S-7D5015-07		FASTBOOT® NACELLE-TIP LH DE-ICE BOOT	1	5.0
2	P25S-7D5015-08		FASTBOOT® NACELLE-TIP RH DE-ICE BOOT	1	5.0
3	P25S-7D5015-03		FASTBOOT® HORIZONTAL STABILIZER LH DE-ICE BOOT	1	2.6
4	P25S-7D5015-04		FASTBOOT® HORIZONTAL STABILIZER RH DE-ICE BOOT	1	2.6
5	P25S-7D5015-05		FASTBOOT® VERTICAL STABILIZER DE-ICE BOOT	1	1.7



TWIN COMMANDER 690C (JETPROP 840) S/N 11601 THRU 11718

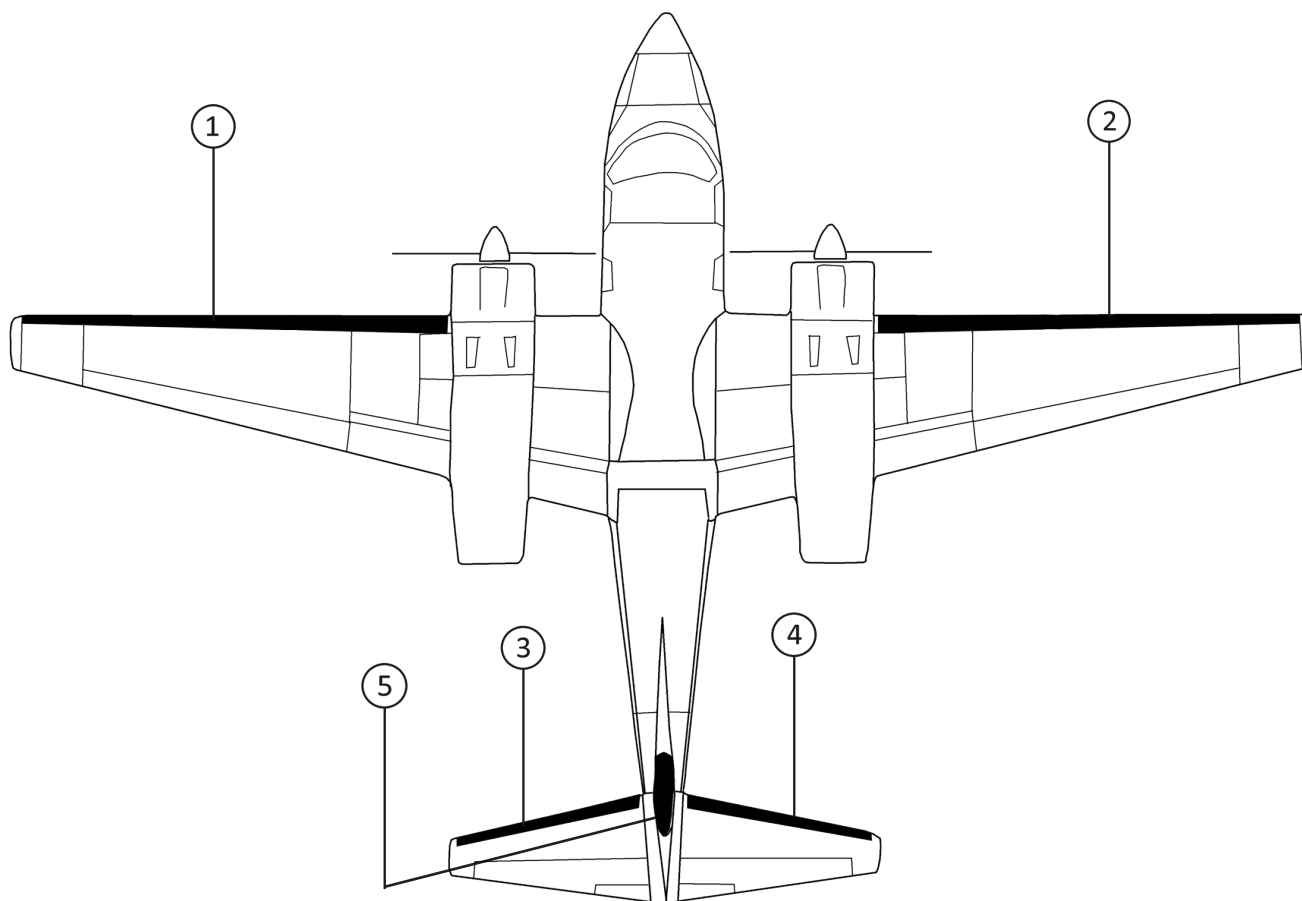
TWIN COMMANDER 690C (JETPROP 840) S/N 11719 THRU 11999

STANDARD DE-ICE BOOTS

POSITION ID	GOODRICH PART NUMBER	AIRCRAFT OEM P/N	DESCRIPTION	QTY PER AIRCRAFT	WT
1	25S-7D5015-07		NACELLE-TIP LH DE-ICE BOOT	1	5.0
2	25S-7D5015-08		NACELLE-TIP RH DE-ICE BOOT	1	5.0
3	25S-7D5015-03		HORIZONTAL STABILIZER LH DE-ICE BOOT	1	2.6
4	25S-7D5015-04		HORIZONTAL STABILIZER RH DE-ICE BOOT	1	2.6
5	25S-7D5015-21		VERTICAL STABILIZER DE-ICE BOOT	1	1.9

FASTboot® DE-ICE BOOTS

POSITION ID	GOODRICH PART NUMBER	AIRCRAFT OEM P/N	DESCRIPTION	QTY PER AIRCRAFT	WT
1	P25S-7D5015-07		FASTBOOT® NACELLE-TIP LH DE-ICE BOOT	1	5.0
2	P25S-7D5015-08		FASTBOOT® NACELLE-TIP RH DE-ICE BOOT	1	5.0
3	P25S-7D5015-03		FASTBOOT® HORIZONTAL STABILIZER LH DE-ICE BOOT	1	2.6
4	P25S-7D5015-04		FASTBOOT® HORIZONTAL STABILIZER RH DE-ICE BOOT	1	2.6
5	P25S-7D5015-21		FASTBOOT® VERTICAL STABILIZER DE-ICE BOOT	1	1.9



TWIN COMMANDER 690C (JETPROP 840) S/N 11719 THRU 11999

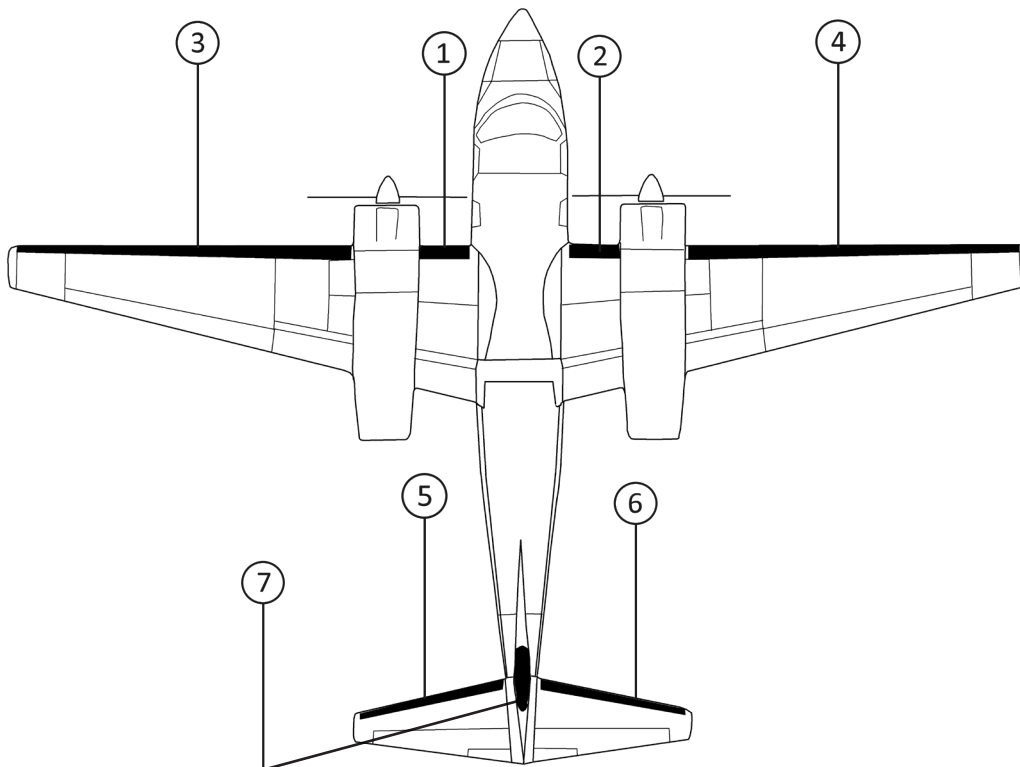
TWIN COMMANDER 690D (JETPROP 900)

STANDARD DE-ICE BOOTS

POSITION ID	GOODRICH PART NUMBER	AIRCRAFT OEM P/N	DESCRIPTION	QTY PER AIRCRAFT	WT
1	25S-7D5015-13		FUSELAGE-NACELLE LH DE-ICE BOOT	1	1.8
2	25S-7D5015-14		FUSELAGE-NACELLE RH DE-ICE BOOT	1	1.8
3	25S-7D5015-15		NACELLE-TIP LH DE-ICE BOOT	1	6.2
4	25S-7D5015-16		NACELLE-TIP RH DE-ICE BOOT	1	6.2
5	25S-7D5015-03		HORIZONTAL STABILIZER LH DE-ICE BOOT	1	2.6
6	25S-7D5015-04		HORIZONTAL STABILIZER RH DE-ICE BOOT	1	2.6
7	25S-7D5015-21		VERTICAL STABILIZER DE-ICE BOOT	1	1.9

FASTboot® DE-ICE BOOTS

POSITION ID	GOODRICH PART NUMBER	AIRCRAFT OEM P/N	DESCRIPTION	QTY PER AIRCRAFT	WT
1	P25S-7D5015-13		FASTBOOT® FUSELAGE-NACELLE LH DE-ICE BOOT	1	1.8
2	P25S-7D5015-14		FASTBOOT® FUSELAGE-NACELLE RH DE-ICE BOOT	1	1.8
3	P25S-7D5015-15		FASTBOOT® NACELLE-TIP LH DE-ICE BOOT	1	6.2
4	P25S-7D5015-16		FASTBOOT® NACELLE-TIP RH DE-ICE BOOT	1	6.2
5	P25S-7D5015-03		FASTBOOT® HORIZONTAL STABILIZER LH DE-ICE BOOT	1	2.6
6	P25S-7D5015-04		FASTBOOT® HORIZONTAL STABILIZER RH DE-ICE BOOT	1	2.6
7	P25S-7D5015-21		FASTBOOT® VERTICAL STABILIZER DE-ICE BOOT	1	1.9


TWIN COMMANDER 690D (JETPROP 900)

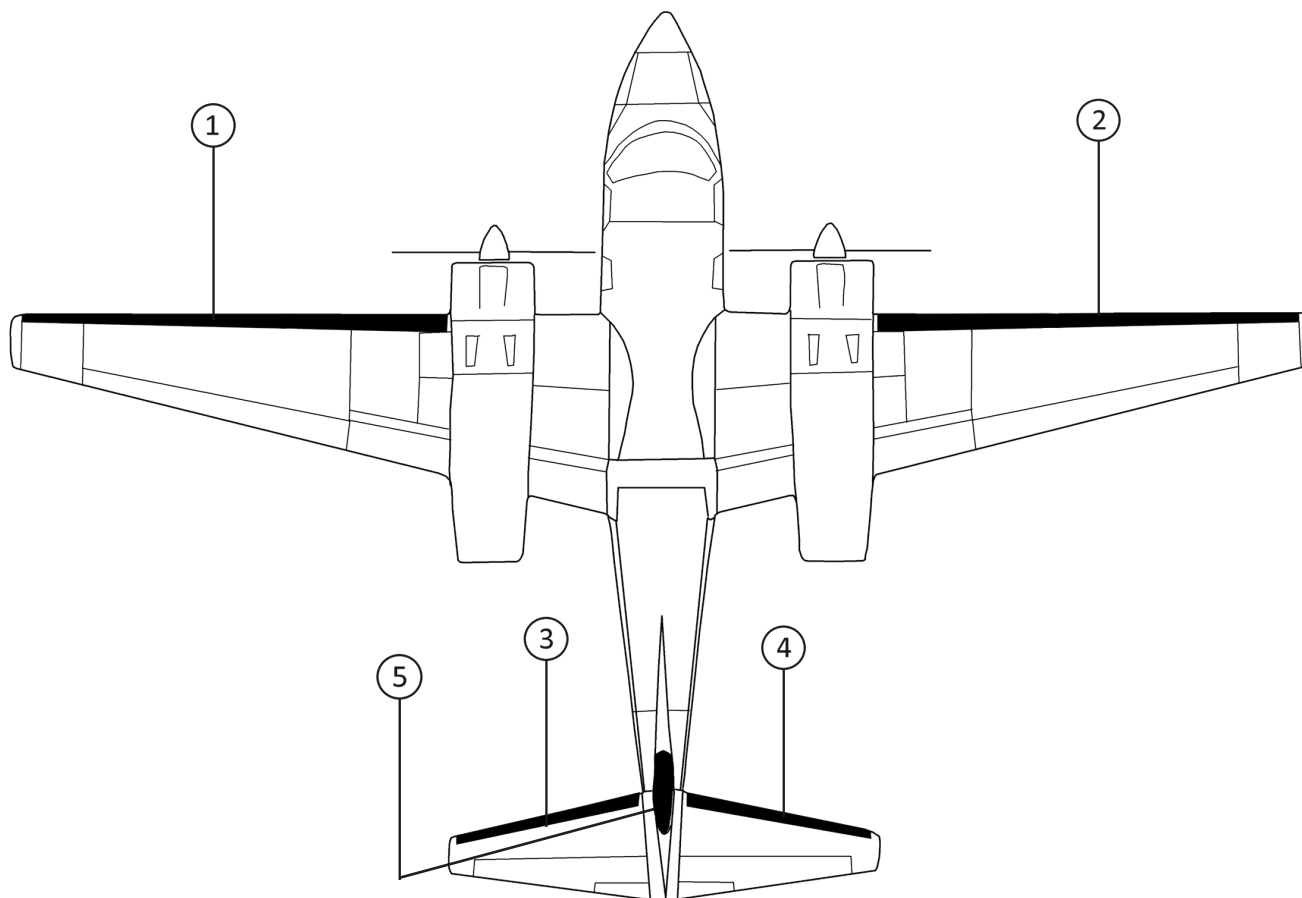
TWIN COMMANDER 695 (JETPROP 980) S/N 95000 THRU 95086

STANDARD DE-ICE BOOTS

POSITION ID	GOODRICH PART NUMBER	AIRCRAFT OEM P/N	DESCRIPTION	QTY PER AIRCRAFT	WT
1	25S-7D5015-07		NACELLE-TIP LH DE-ICE BOOT	1	5.0
2	25S-7D5015-08		NACELLE-TIP RH DE-ICE BOOT	1	5.0
3	25S-7D5015-03		HORIZONTAL STABILIZER LH DE-ICE BOOT	1	2.6
4	25S-7D5015-04		HORIZONTAL STABILIZER RH DE-ICE BOOT	1	2.6
5	25S-7D5015-05		VERTICAL STABILIZER DE-ICE BOOT	1	1.7

FASTboot® DE-ICE BOOTS

POSITION ID	GOODRICH PART NUMBER	AIRCRAFT OEM P/N	DESCRIPTION	QTY PER AIRCRAFT	WT
1	P25S-7D5015-07		FASTBOOT® NACELLE-TIP LH DE-ICE BOOT	1	5.0
2	P25S-7D5015-08		FASTBOOT® NACELLE-TIP RH DE-ICE BOOT	1	5.0
3	P25S-7D5015-03		FASTBOOT® HORIZONTAL STABILIZER LH DE-ICE BOOT	1	2.6
4	P25S-7D5015-04		FASTBOOT® HORIZONTAL STABILIZER RH DE-ICE BOOT	1	2.6
5	P25S-7D5015-05		FASTBOOT® VERTICAL STABILIZER DE-ICE BOOT	1	1.7



TWIN COMMANDER 695 (JETPROP 980) S/N 95000 THRU 95086

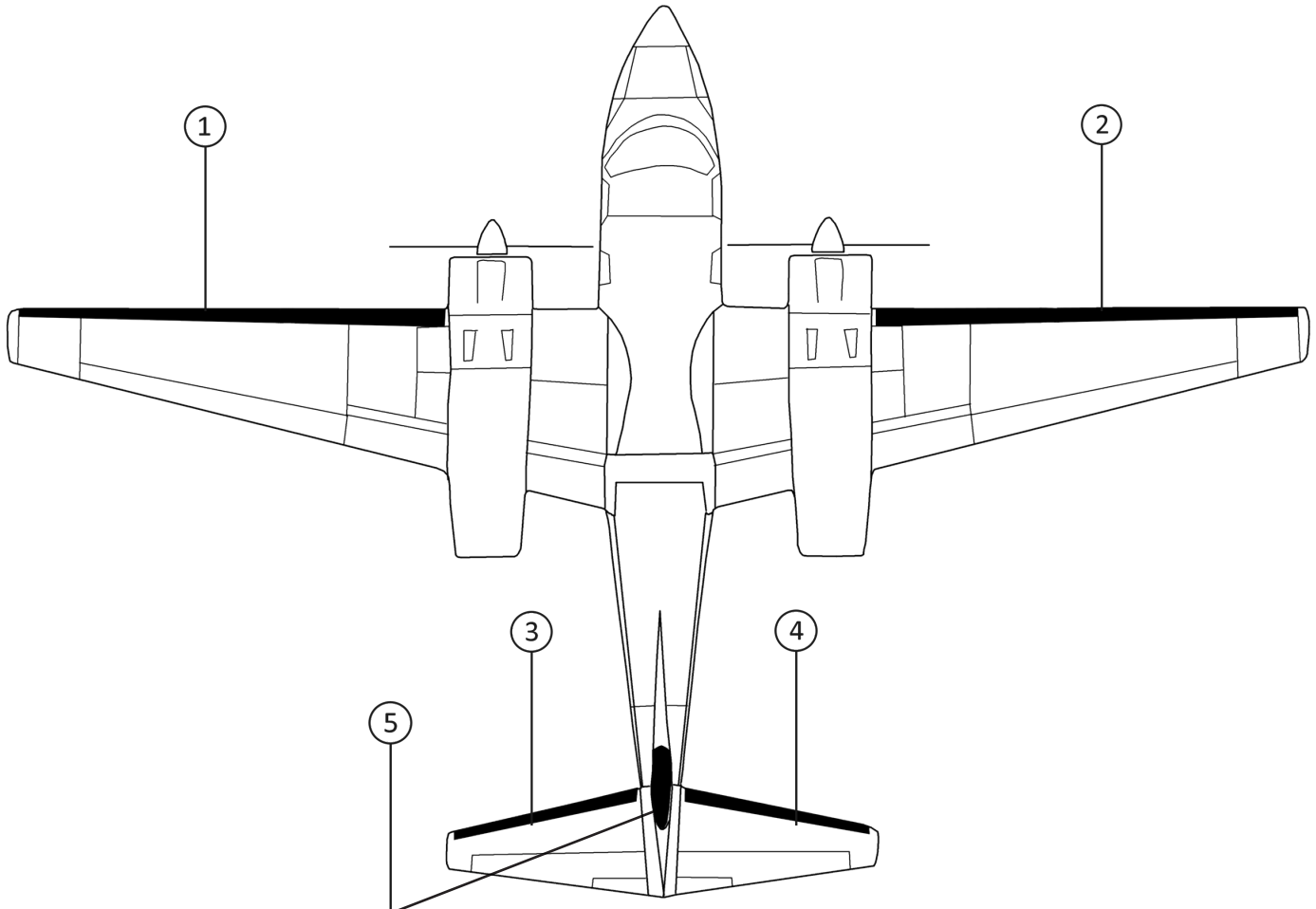
TWIN COMMANDER 695 (JETPROP 980) S/N 95087 THRU 95999

STANDARD DE-ICE BOOTS

POSITION ID	GOODRICH PART NUMBER	AIRCRAFT OEM P/N	DESCRIPTION	QTY PER AIRCRAFT	WT
1	25S-7D5015-07		NACELLE-TIP LH DE-ICE BOOT	1	5.0
2	25S-7D5015-08		NACELLE-TIP RH DE-ICE BOOT	1	5.0
3	25S-7D5015-03		HORIZONTAL STABILIZER LH DE-ICE BOOT	1	2.6
4	25S-7D5015-04		HORIZONTAL STABILIZER RH DE-ICE BOOT	1	2.6
5	25S-7D5015-21		VERTICAL STABILIZER DE-ICE BOOT	1	1.9

FASTboot® DE-ICE BOOTS

POSITION ID	GOODRICH PART NUMBER	AIRCRAFT OEM P/N	DESCRIPTION	QTY PER AIRCRAFT	WT
1	P25S-7D5015-07		FASTBOOT® NACELLE-TIP LH DE-ICE BOOT	1	5.0
2	P25S-7D5015-08		FASTBOOT® NACELLE-TIP RH DE-ICE BOOT	1	5.0
3	P25S-7D5015-03		FASTBOOT® HORIZONTAL STABILIZER LH DE-ICE BOOT	1	2.6
4	P25S-7D5015-04		FASTBOOT® HORIZONTAL STABILIZER RH DE-ICE BOOT	1	2.6
5	P25S-7D5015-21		FASTBOOT® VERTICAL STABILIZER DE-ICE BOOT	1	1.9



TWIN COMMANDER 695 (JETPROP 980) S/N 95087 THRU 95999

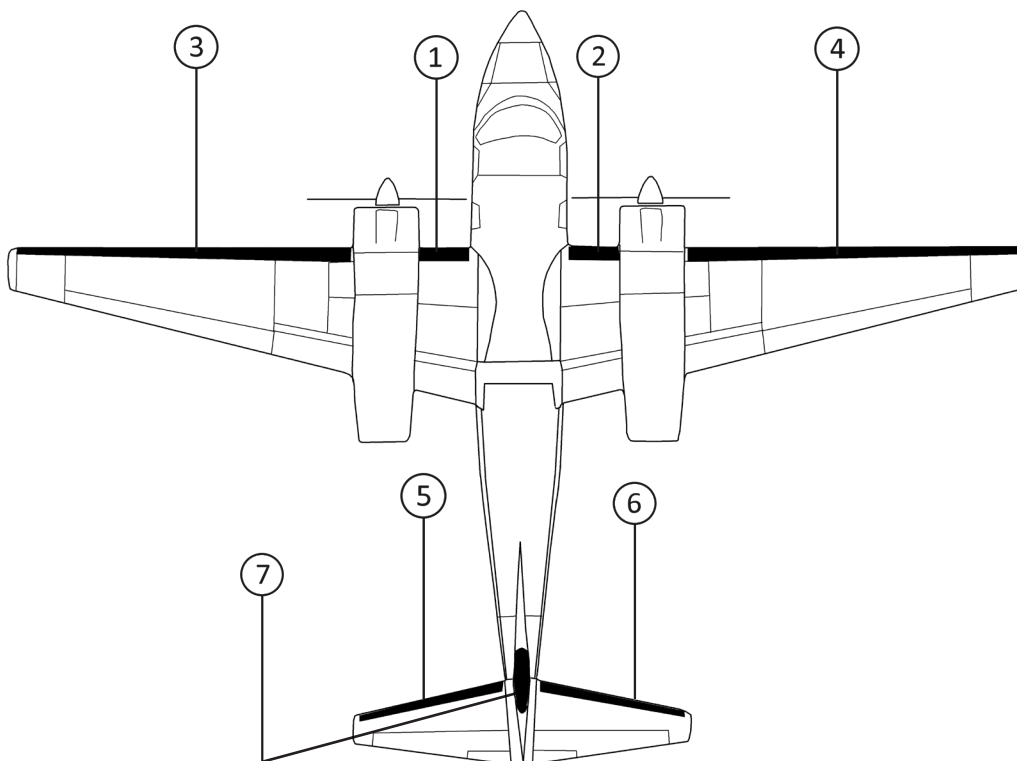
TWIN COMMANDER 695A (JETPROP 1000) S/N THRU 96014

STANDARD DE-ICE BOOTS

POSITION ID	GOODRICH PART NUMBER	AIRCRAFT OEM P/N	DESCRIPTION	QTY PER AIRCRAFT	WT
1	25S-7D5015-13		FUSELAGE-NACELLE LH DE-ICE BOOT	1	1.8
2	25S-7D5015-14		FUSELAGE-NACELLE RH DE-ICE BOOT	1	1.8
3	25S-7D5015-15		NACELLE-TIP LH DE-ICE BOOT	1	6.2
4	25S-7D5015-16		NACELLE-TIP RH DE-ICE BOOT	1	6.2
5	25S-7D5015-03		HORIZONTAL STABILIZER LH DE-ICE BOOT	1	2.6
6	25S-7D5015-04		HORIZONTAL STABILIZER RH DE-ICE BOOT	1	2.6
7	25S-7D5015-17		VERTICAL STABILIZER DE-ICE BOOT	1	1.9

FASTboot® DE-ICE BOOTS

POSITION ID	GOODRICH PART NUMBER	AIRCRAFT OEM P/N	DESCRIPTION	QTY PER AIRCRAFT	WT
1	P25S-7D5015-13		FASTBOOT® FUSELAGE-NACELLE LH DE-ICE BOOT	1	1.8
2	P25S-7D5015-14		FASTBOOT® FUSELAGE-NACELLE RH DE-ICE BOOT	1	1.8
3	P25S-7D5015-15		FASTBOOT® NACELLE-TIP LH DE-ICE BOOT	1	6.2
4	P25S-7D5015-16		FASTBOOT® NACELLE-TIP RH DE-ICE BOOT	1	6.2
5	P25S-7D5015-03		FASTBOOT® HORIZONTAL STABILIZER LH DE-ICE BOOT	1	2.6
6	P25S-7D5015-04		FASTBOOT® HORIZONTAL STABILIZER RH DE-ICE BOOT	1	2.6
7	P25S-7D5015-17		FASTBOOT® VERTICAL STABILIZER DE-ICE BOOT	1	1.9



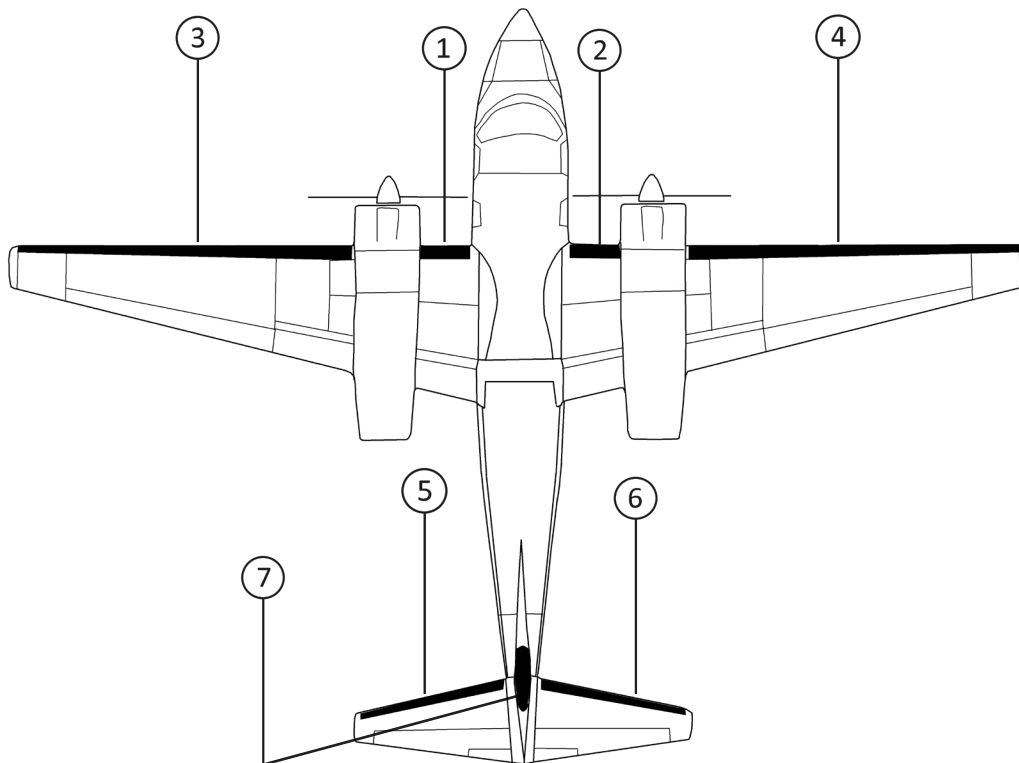
TWIN COMMANDER 695A (JETPROP 1000) S/N THRU 96014

TWIN COMMANDER 695A (JETPROP 1000) S/N 96015 UP
STANDARD DE-ICE BOOTS

POSITION ID	GOODRICH PART NUMBER	AIRCRAFT OEM P/N	DESCRIPTION	QTY PER AIRCRAFT	WT
1	25S-7D5015-13		FUSELAGE-NACELLE LH DE-ICE BOOT	1	1.8
2	25S-7D5015-14		FUSELAGE-NACELLE RH DE-ICE BOOT	1	1.8
3	25S-7D5015-15		NACELLE-TIP LH DE-ICE BOOT	1	6.2
4	25S-7D5015-16		NACELLE-TIP RH DE-ICE BOOT	1	6.2
5	25S-7D5015-03		HORIZONTAL STABILIZER LH DE-ICE BOOT	1	2.6
6	25S-7D5015-04		HORIZONTAL STABILIZER RH DE-ICE BOOT	1	2.6
7	25S-7D5015-21		VERTICAL STABILIZER DE-ICE BOOT	1	1.9

FASTboot® DE-ICE BOOTS

POSITION ID	GOODRICH PART NUMBER	AIRCRAFT OEM P/N	DESCRIPTION	QTY PER AIRCRAFT	WT
1	P25S-7D5015-13		FASTBOOT® FUSELAGE-NACELLE LH DE-ICE BOOT	1	1.8
2	P25S-7D5015-14		FASTBOOT® FUSELAGE-NACELLE RH DE-ICE BOOT	1	1.8
3	P25S-7D5015-15		FASTBOOT® NACELLE-TIP LH DE-ICE BOOT	1	6.2
4	P25S-7D5015-16		FASTBOOT® NACELLE-TIP RH DE-ICE BOOT	1	6.2
5	P25S-7D5015-03		FASTBOOT® HORIZONTAL STABILIZER LH DE-ICE BOOT	1	2.6
6	P25S-7D5015-04		FASTBOOT® HORIZONTAL STABILIZER RH DE-ICE BOOT	1	2.6
7	P25S-7D5015-21		FASTBOOT® VERTICAL STABILIZER DE-ICE BOOT	1	1.9


TWIN COMMANDER 695A (JETPROP 1000) S/N 96015 UP

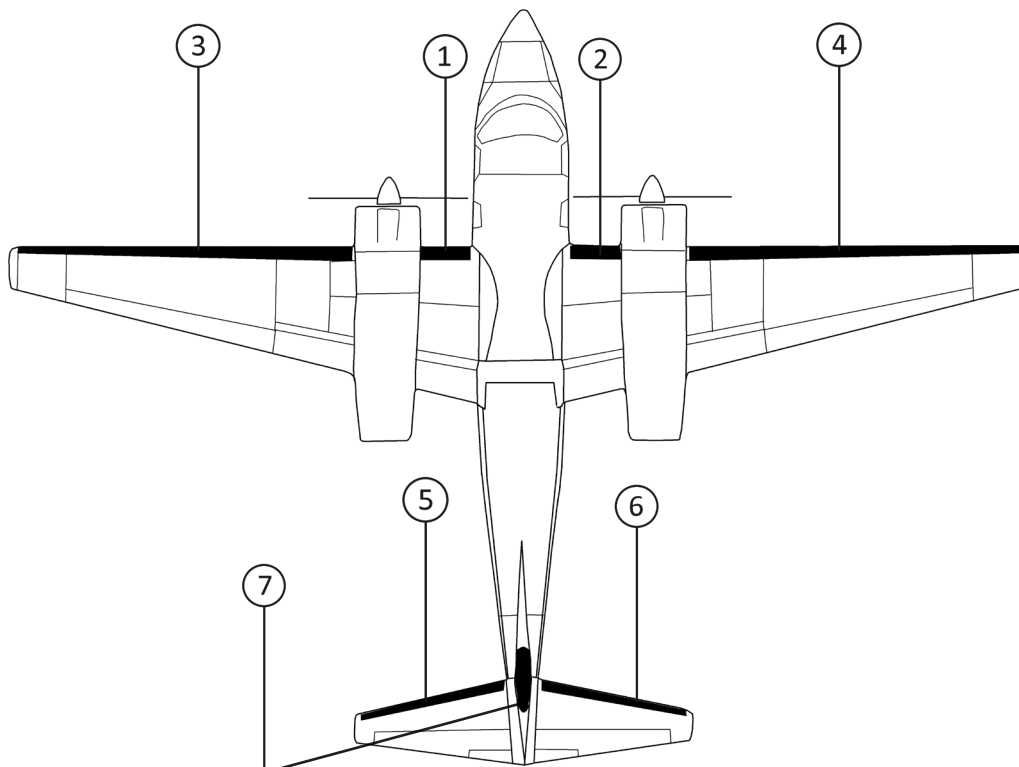
TWIN COMMANDER 695B (JETPROP 1000B) S/N 96017 THRU 96999

STANDARD DE-ICE BOOTS

POSITION ID	GOODRICH PART NUMBER	AIRCRAFT OEM P/N	DESCRIPTION	QTY PER AIRCRAFT	WT
1	25S-7D5015-13		FUSELAGE-NACELLE LH DE-ICE BOOT	1	1.8
2	25S-7D5015-14		FUSELAGE-NACELLE RH DE-ICE BOOT	1	1.8
3	25S-7D5015-15		NACELLE-TIP LH DE-ICE BOOT	1	6.2
4	25S-7D5015-16		NACELLE-TIP RH DE-ICE BOOT	1	6.2
5	25S-7D5015-03		HORIZONTAL STABILIZER LH DE-ICE BOOT	1	2.6
6	25S-7D5015-04		HORIZONTAL STABILIZER RH DE-ICE BOOT	1	2.6
7	25S-7D5015-21		VERTICAL STABILIZER DE-ICE BOOT	1	1.9

FASTboot® DE-ICE BOOTS

POSITION ID	GOODRICH PART NUMBER	AIRCRAFT OEM P/N	DESCRIPTION	QTY PER AIRCRAFT	WT
1	P25S-7D5015-13		FASTBOOT® FUSELAGE-NACELLE LH DE-ICE BOOT	1	1.8
2	P25S-7D5015-14		FASTBOOT® FUSELAGE-NACELLE RH DE-ICE BOOT	1	1.8
3	P25S-7D5015-15		FASTBOOT® NACELLE-TIP LH DE-ICE BOOT	1	6.2
4	P25S-7D5015-16		FASTBOOT® NACELLE-TIP RH DE-ICE BOOT	1	6.2
5	P25S-7D5015-03		FASTBOOT® HORIZONTAL STABILIZER LH DE-ICE BOOT	1	2.6
6	P25S-7D5015-04		FASTBOOT® HORIZONTAL STABILIZER RH DE-ICE BOOT	1	2.6
7	P25S-7D5015-21		FASTBOOT® VERTICAL STABILIZER DE-ICE BOOT	1	1.9



TWIN COMMANDER 695B (JETPROP 1000B) S/N 96017 THRU 96999

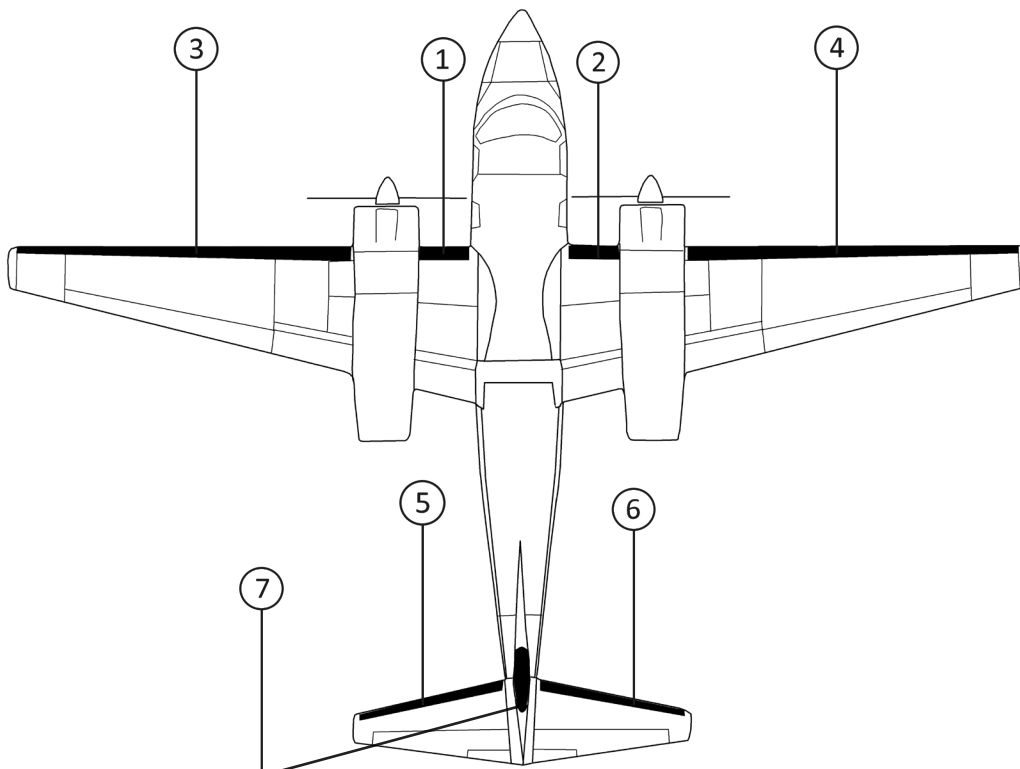
TWIN COMMANDER 695B (JETPROP 1000B) S/N 97000 UP

STANDARD DE-ICE BOOTS

POSITION ID	GOODRICH PART NUMBER	AIRCRAFT OEM P/N	DESCRIPTION	QTY PER AIRCRAFT	WT
1	25S-7D5015-13		FUSELAGE-NACELLE LH DE-ICE BOOT	1	1.8
2	25S-7D5015-14		FUSELAGE-NACELLE RH DE-ICE BOOT	1	1.8
3	25S-7D5015-15		NACELLE-TIP LH DE-ICE BOOT	1	6.2
4	25S-7D5015-16		NACELLE-TIP RH DE-ICE BOOT	1	6.2
5	25S-7D5015-03		HORIZONTAL STABILIZER LH DE-ICE BOOT	1	2.6
6	25S-7D5015-04		HORIZONTAL STABILIZER RH DE-ICE BOOT	1	2.6
7	25S-7D5015-21		VERTICAL STABILIZER DE-ICE BOOT	1	1.9

FASTboot® DE-ICE BOOTS

POSITION ID	GOODRICH PART NUMBER	AIRCRAFT OEM P/N	DESCRIPTION	QTY PER AIRCRAFT	WT
1	P25S-7D5015-13		FASTBOOT® FUSELAGE-NACELLE LH DE-ICE BOOT	1	1.8
2	P25S-7D5015-14		FASTBOOT® FUSELAGE-NACELLE RH DE-ICE BOOT	1	1.8
3	P25S-7D5015-15		FASTBOOT® NACELLE-TIP LH DE-ICE BOOT	1	6.2
4	P25S-7D5015-16		FASTBOOT® NACELLE-TIP RH DE-ICE BOOT	1	6.2
5	P25S-7D5015-03		FASTBOOT® HORIZONTAL STABILIZER LH DE-ICE BOOT	1	2.6
6	P25S-7D5015-04		FASTBOOT® HORIZONTAL STABILIZER RH DE-ICE BOOT	1	2.6
7	P25S-7D5015-21		FASTBOOT® VERTICAL STABILIZER DE-ICE BOOT	1	1.9

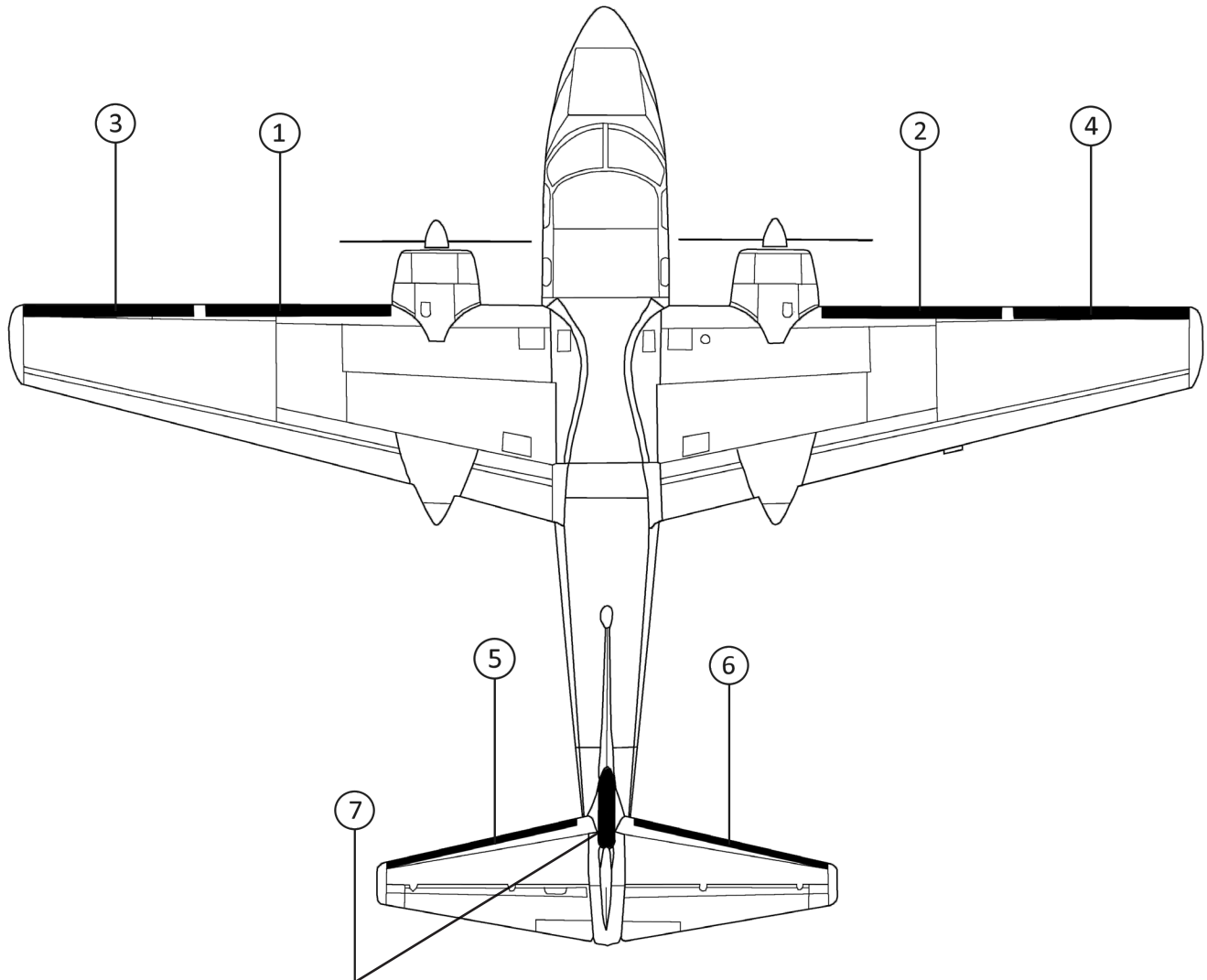


TWIN COMMANDER 695B (JETPROP 1000B) S/N 97000 UP

TWIN COMMANDER 720 (ALTICRUISER) (WITHOUT LIFT TRANSDUCER)

STANDARD DE-ICE BOOTS

POSITION ID	GOODRICH PART NUMBER	AIRCRAFT OEM P/N	DESCRIPTION	QTY PER AIRCRAFT	WT
1	23S-2015-1-1		NACELLE-BREAK LH DE-ICE BOOT	1	2.6
2	23S-2015-1-2		NACELLE-BREAK RH DE-ICE BOOT	1	2.5
3	23S-2015-8-1		BREAK-TIP LH DE-ICE BOOT	1	3.5
4	23S-2015-9-2		BREAK-TIP RH DE-ICE BOOT	1	3.5
5	23S-2015-3-1		HORIZONTAL STABILIZER LH DE-ICE BOOT	1	2.4
6	23S-2015-3-2		HORIZONTAL STABILIZER RH DE-ICE BOOT	1	2.4
7	23S-2015-7-1		VERTICAL STABILIZER DE-ICE BOOT	1	2.4



TWIN COMMANDER 720 (ALTICRUISER) (WITHOUT LIFT TRANSDUCER)

TWIN COMMANDER 720 (ALTICRUISER) (WITH LIFT TRANSDUCER)

STANDARD DE-ICE BOOTS

POSITION ID	GOODRICH PART NUMBER	AIRCRAFT OEM P/N	DESCRIPTION	QTY PER AIRCRAFT	WT
1	23S-2015-5-1		NACELLE-BREAK LH DE-ICE BOOT (ALLOWS FOR LIFT TRANSDUCER)	1	2.5
2	23S-2015-1-2		NACELLE-BREAK RH DE-ICE BOOT	1	2.5
3	23S-2015-9-1		BREAK-TIP LH DE-ICE BOOT (ALLOWS FOR LIFT TRANSDUCER)	1	3.5
4	23S-2015-9-2		BREAK-TIP RH DE-ICE BOOT	1	3.5
5	23S-2015-3-1		HORIZONTAL STABILIZER LH DE-ICE BOOT	1	2.4
6	23S-2015-3-2		HORIZONTAL STABILIZER RH DE-ICE BOOT	1	2.4
7	23S-2015-7-1		VERTICAL STABILIZER DE-ICE BOOT	1	2.4

TWIN COMMANDER 720 (ALTICRUISER) (WITH LIFT TRANSDUCER)

