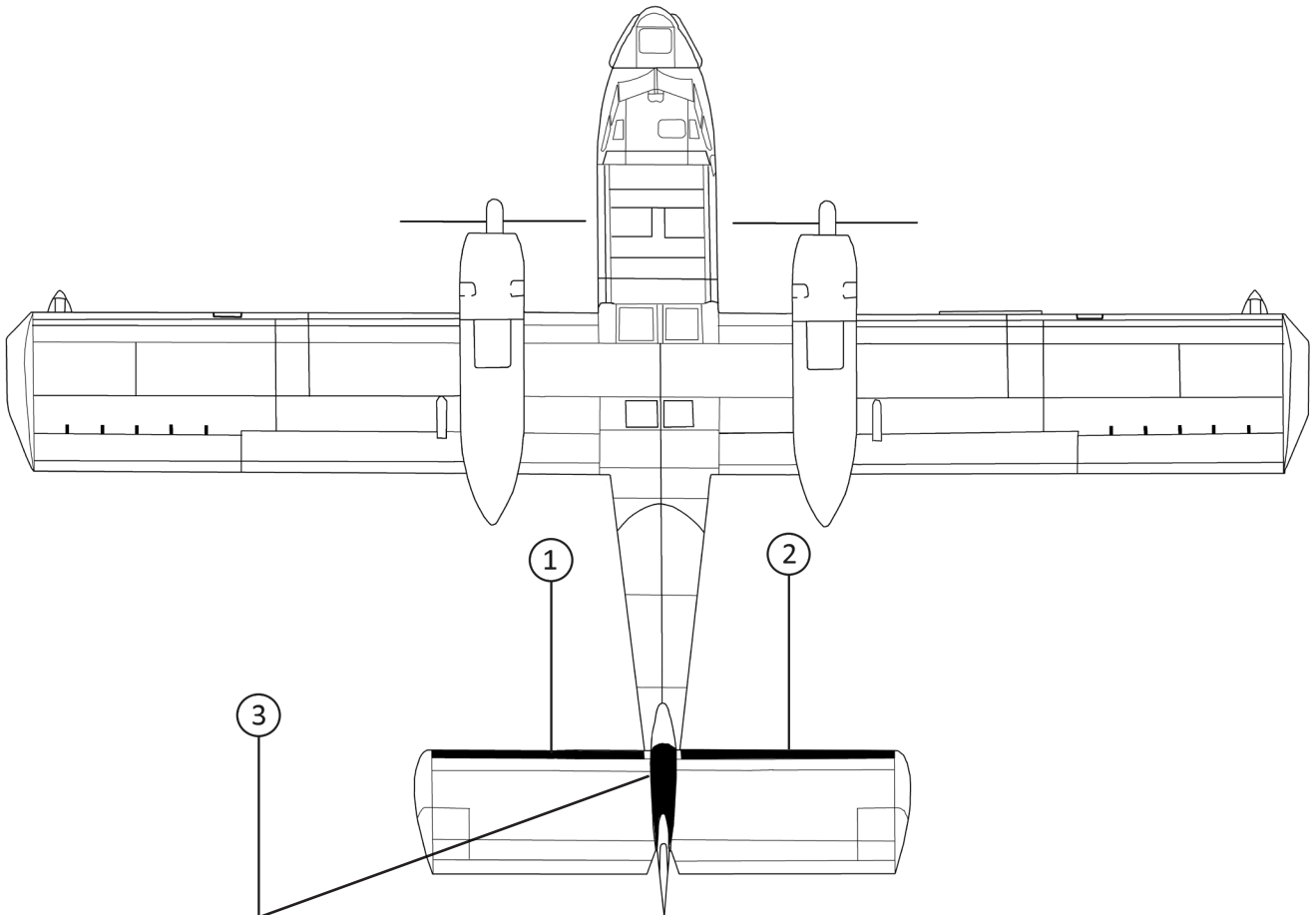


BOMBARDIER (DEHAVILLAND) CL-215-1A10 (CL-215) (SCOOPER)
STANDARD DE-ICE BOOTS

POSITION ID	GOODRICH PART NUMBER	AIRCRAFT OEM P/N	DESCRIPTION	QTY PER AIRCRAFT	WT
1	26S-5D5052-09		HORIZONTAL STABILIZER LH DE-ICE BOOT	1	9.0
2	26S-5D5052-10		HORIZONTAL STABILIZER RH DE-ICE BOOT	1	9.0
3	25S-5D5052-11		VERTICAL FIN DE-ICE BOOT	1	9.2

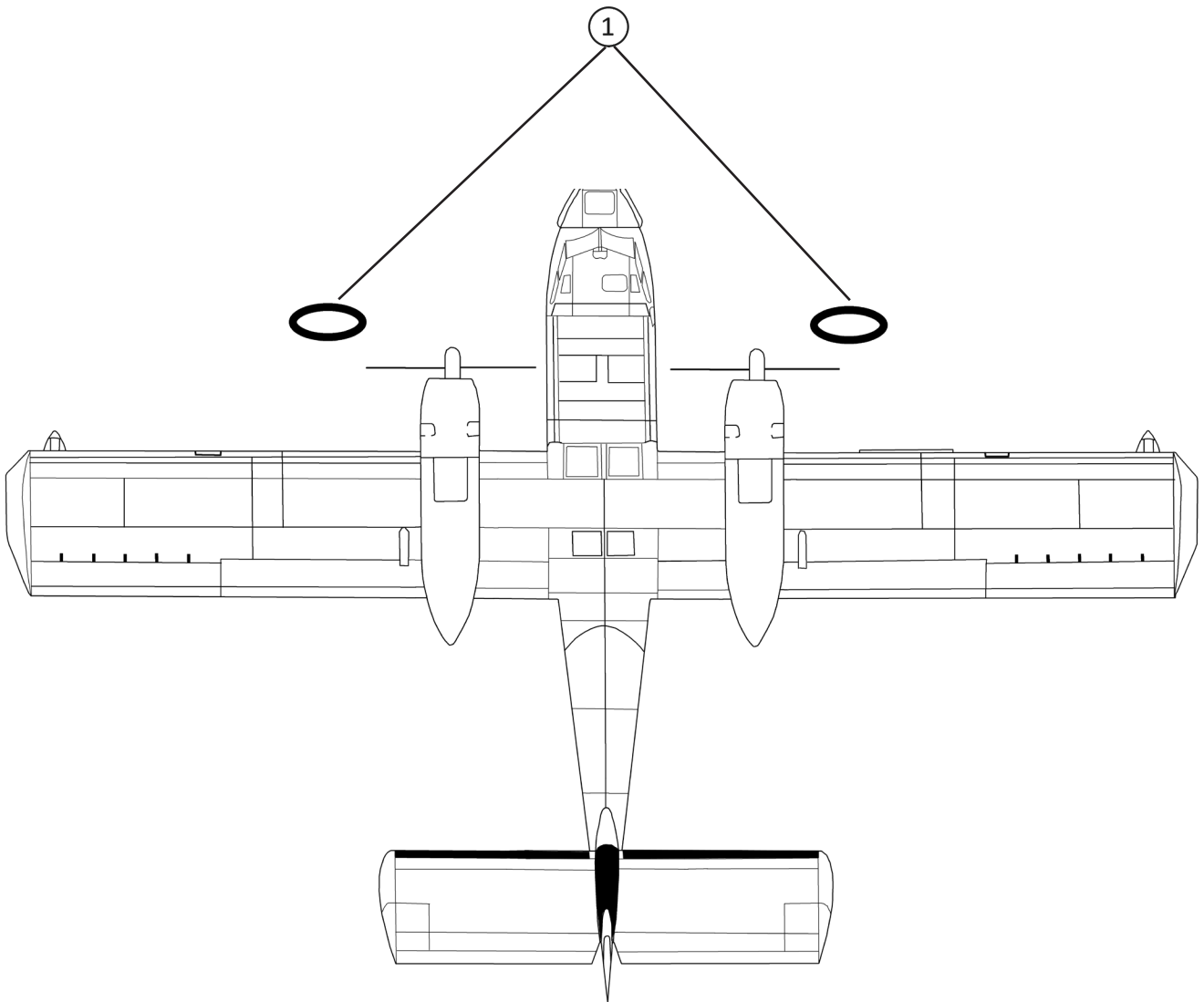


BOMBARDIER (DEHAVILLAND) CL-215-1A10 (CL-215) (SCOOPER)

BOMBARDIER (DEHAVILLAND) CL-215-6B11 (CL-215T) (SCOOPER)

STANDARD DE-ICE BOOTS

POSITION ID	GOODRICH PART NUMBER	AIRCRAFT OEM P/N	DESCRIPTION	QTY PER AIRCRAFT	WT
1	29S-7D5152-13	8SC0041	ENGINE AIR INTAKE DE-ICER	2	1.6

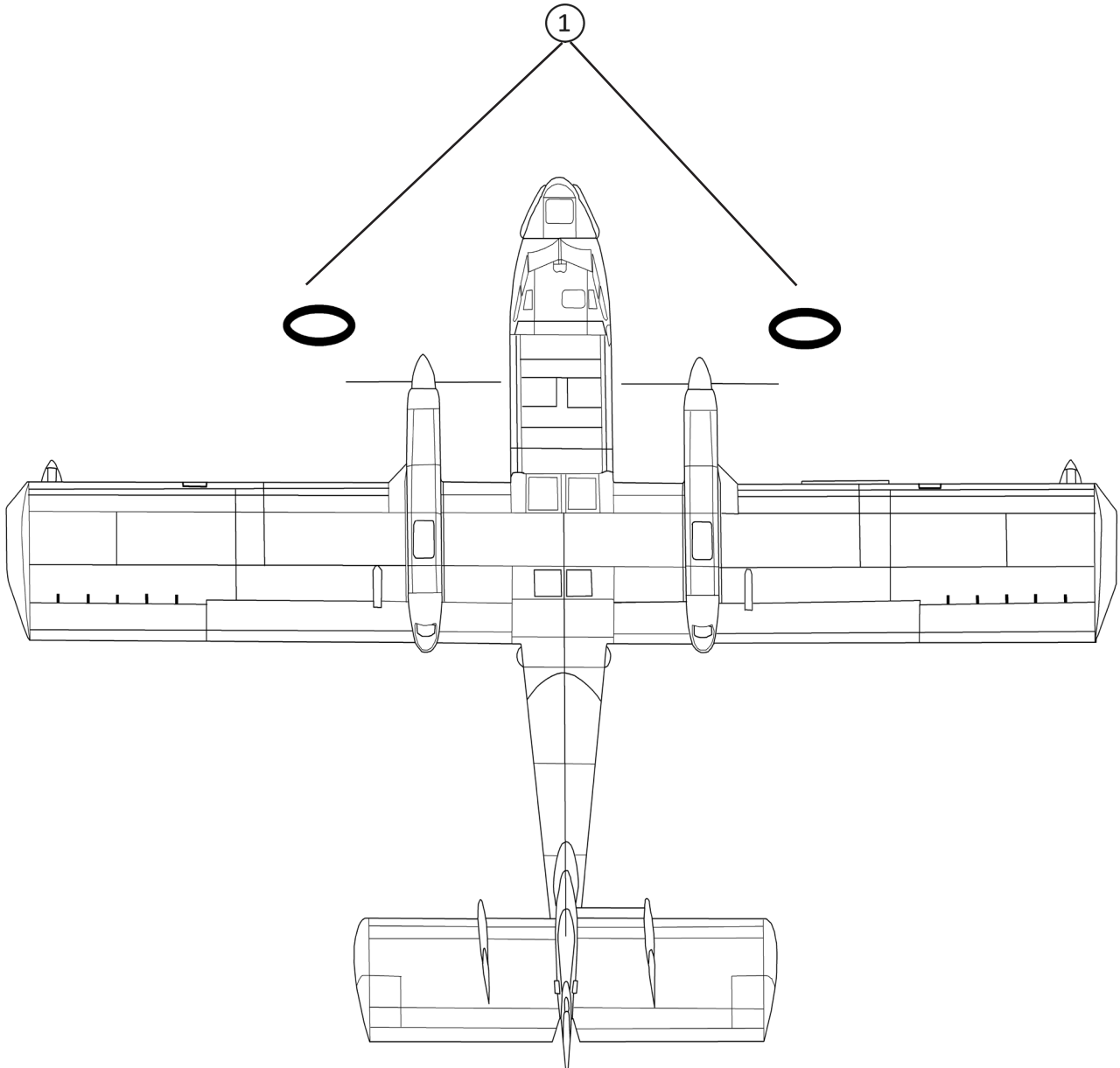


BOMBARDIER (DEHAVILLAND) CL-215-6B11 (CL-215T) (SCOOPER)

BOMBARDIER (DEHAVILLAND) CL-215-6B11 (CL-415) (SUPER SCOOPER)

STANDARD DE-ICE BOOTS

POSITION ID	GOODRICH PART NUMBER	AIRCRAFT OEM P/N	DESCRIPTION	QTY PER AIRCRAFT	WT
1	29S-7D5152-13	8SC0041	ENGINE AIR INTAKE DE-ICER	2	1.6



BOMBARDIER (DEHAVILLAND) CL-215-6B11 (CL-415) (SUPER SCOOPER)

BOMBARDIER (DEHAVILLAND) DHC-8-100 (PRE MOD)
STANDARD DE-ICE BOOTS

POSITION ID	GOODRICH PART NUMBER	AIRCRAFT OEM P/N	DESCRIPTION	QTY PER AIRCRAFT	WT
1	29S-7D5152-17	8SC0029-015	FUSELAGE-NACELLE LH DE-ICE BOOT	1	4.6
2	29S-7D5152-18	8SC0029-016	FUSELAGE-NACELLE RH DE-ICE BOOT	1	4.6
3	29S-7D5152-01	8SC0029-001	INBOARD WING LH DE-ICE BOOT	1	4.6
4	29S-7D5152-02	8SC0029-002	INBOARD WING RH DE-ICE BOOT	1	4.6
5	29S-7D5152-15	8SC0029-013	INBOARD CENTER WING LH DE-ICE BOOT	1	2.0
6	29S-7D5152-16	8SC0029-014	INBOARD CENTER WING RH DE-ICE BOOT	1	2.0
7	29S-7D5152-05	8SC0029-005	OUTBOARD CENTER WING LH DE-ICE BOOT	1	4.0
8	29S-7D5152-06	8SC0029-006	OUTBOARD CENTER WING RH DE-ICE BOOT	1	4.0
9	29S-7D5152-07	8SC0029-007	OUTBOARD WING LH DE-ICE BOOT	1	3.9
10	29S-7D5152-08	8SC0029-008	OUTBOARD WING RH DE-ICE BOOT	1	3.9
11	29S-7D5152-09	8SC0029-009	INBOARD HORIZONTAL STABILIZER LH DE-ICE BOOT	1	3.4
12	29S-7D5152-10	8SC0029-010	INBOARD HORIZONTAL STABILIZER RH DE-ICE BOOT	1	3.4
13	29S-7D5152-11	8SC0029-011	OUTBOARD HORIZONTAL STABILIZER LH DE-ICE BOOT	1	3.3
14	29S-7D5152-12	8SC0029-012	OUTBOARD HORIZONTAL STABILIZER RH DE-ICE BOOT	1	3.3
15	29S-7D5152-31*	8SC0041-001	ENGINE AIR INTAKE (ESTANE®) DE-ICE BOOT	2	1.6

OPTIONAL STANDARD DE-ICE BOOTS

POSITION ID	GOODRICH PART NUMBER	AIRCRAFT OEM P/N	DESCRIPTION	QTY PER AIRCRAFT	WT
1	29S-7D5152-27*	8SC0029-027	FUSELAGE-NACELLE LH (ESTANE®) DE-ICE BOOT	1	4.6
2	29S-7D5152-28*	8SC0029-028	FUSELAGE-NACELLE RH (ESTANE®) DE-ICE BOOT	1	4.6
3	29S-7D5152-29*	8SC0029-029	INBOARD WING LH (ESTANE®) DE-ICE BOOT	1	4.6
4	29S-7D5152-30*	8SC0029-030	INBOARD WING RH (ESTANE®) DE-ICE BOOT	1	4.6

*PART NUMBERS (P)29S-7D5152-27, -28, -29, -30 ARE SUITABLE REPLACEMENTS FOR (P)29S-7D5152-17, -18, -01, -02 RESPECTIVELY

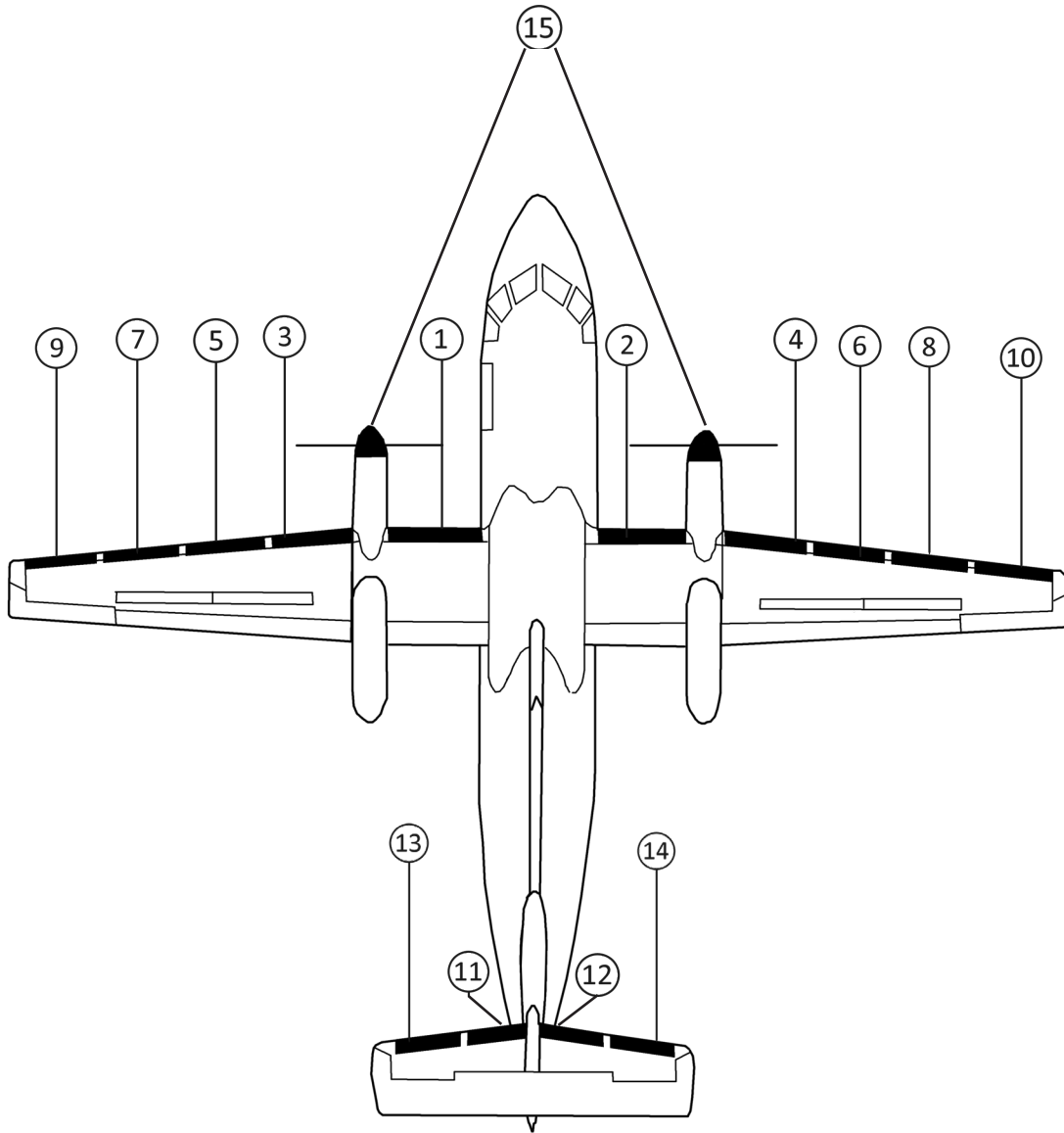
ESTANE® DE-ICERS HAVE A SURFACE PLY RESISTANT TO DIESTER TYPE ENGINE OIL

FASTboot® DE-ICE BOOTS

POSITION ID	GOODRICH PART NUMBER	AIRCRAFT OEM P/N	DESCRIPTION	QTY PER AIRCRAFT	WT
1	P29S-7D5152-17	C8SC0029-015	FASTBOOT® FUSELAGE-NACELLE LH DE-ICE BOOT	1	4.6

BOMBARDIER (DEHAVILLAND) DHC-8-100 (PRE MOD)

BOMBARDIER (DEHAVILLAND) DHC-8-100 (PRE MOD)



BOMBARDIER (DEHAVILLAND) DHC-8-100 (PRE MOD)

BOMBARDIER (DEHAVILLAND) DHC-8-100 (PRE MOD)
FASTboot® DE-ICE BOOTS (CONTINUED)

POSITION ID	GOODRICH PART NUMBER	AIRCRAFT OEM P/N	DESCRIPTION	QTY PER AIRCRAFT	WT
2	P29S-7D5152-18	C8SC0029-018	FASTBOOT® FUSELAGE-NACELLE RH DE-ICE BOOT	1	4.6
3	P29S-7D5152-01	C8SC0029-001	FASTBOOT® INBOARD WING LH DE-ICE BOOT	1	4.6
4	P29S-7D5152-02	C8SC0029-002	FASTBOOT® INBOARD WING RH DE-ICE BOOT	1	4.6
5	P29S-7D5152-15	C8SC0029-015	FASTBOOT® INBOARD CENTER WING LH DE-ICE BOOT	1	2.0
6	P29S-7D5152-16	C8SC0029-016	FASTBOOT® INBOARD CENTER WING RH DE-ICE BOOT	1	2.0
7	P29S-7D5152-05	C8SC0029-005	FASTBOOT® OUTBOARD CENTER WING LH DE-ICE BOOT	1	4.0
8	P29S-7D5152-06	C8SC0029-006	FASTBOOT® OUTBOARD CENTER WING RH DE-ICE BOOT	1	4.0
9	P29S-7D5152-07	C8SC0029-007	FASTBOOT® OUTBOARD WING LH DE-ICE BOOT	1	3.9
10	P29S-7D5152-08	C8SC0029-008	FASTBOOT® OUTBOARD WING RH DE-ICE BOOT	1	3.9
11	P29S-7D5152-09	C8SC0029-009	FASTBOOT® INBOARD STABILIZER LH DE-ICE BOOT	1	3.4
12	P29S-7D5152-10	C8SC0029-010	FASTBOOT® INBOARD STABILIZER RH DE-ICE BOOT	1	3.4
13	P29S-7D5152-11	C8SC0029-011	FASTBOOT® OUTBOARD STABILIZER LH DE-ICE BOOT	1	3.3
14	P29S-7D5152-12	C8SC0029-012	FASTBOOT® OUTBOARD STABILIZER LH DE-ICE BOOT	1	3.3

OPTIONAL FASTboot® DE-ICE BOOTS

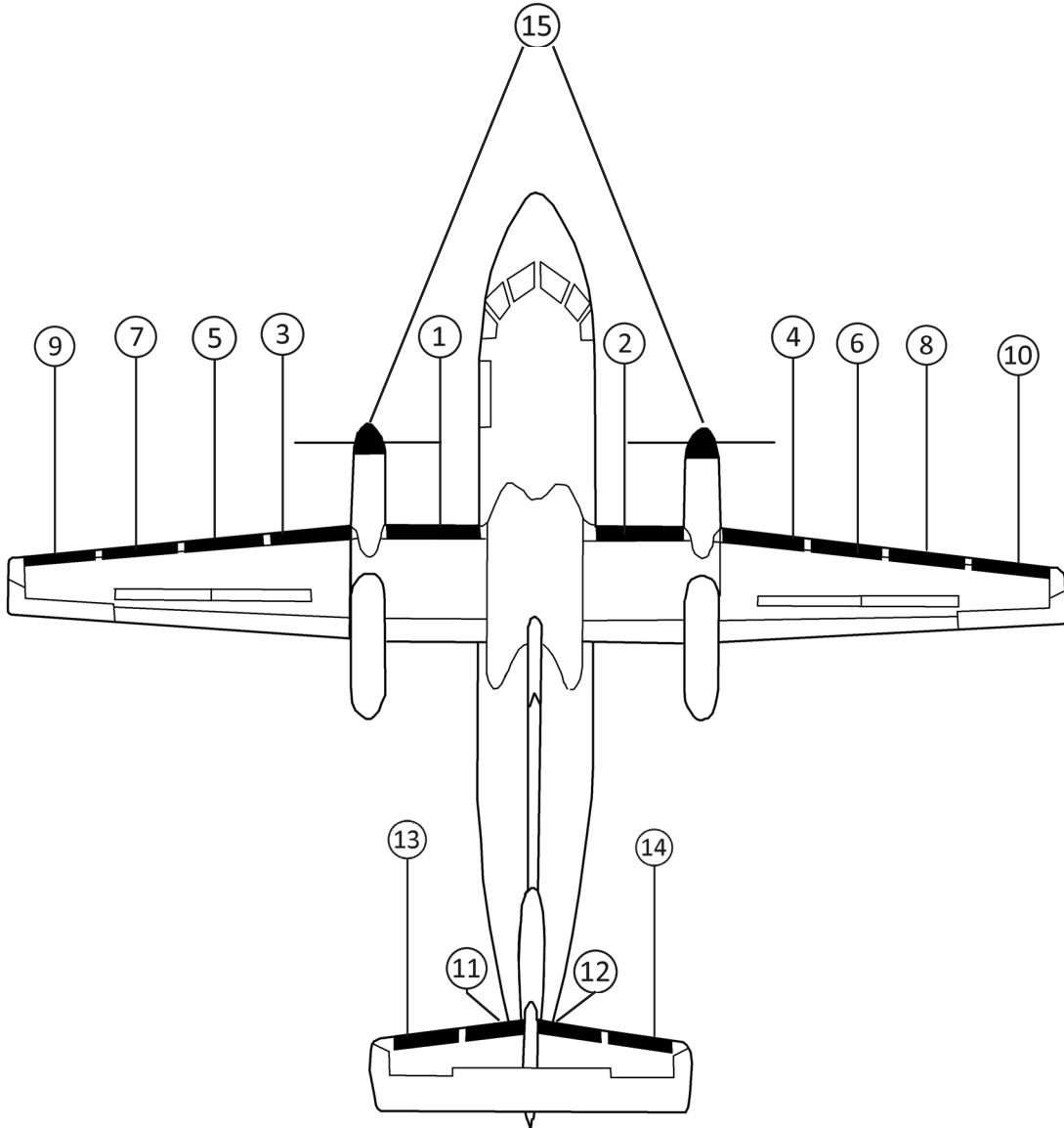
POSITION ID	GOODRICH PART NUMBER	AIRCRAFT OEM P/N	DESCRIPTION	QTY PER AIRCRAFT	WT
1	P29S-7D5152-27*	8SC0029-027	FASTBOOT® FUSELAGE-NACELLE LH (ESTANE®) DE-ICE BOOT	1	4.6
2	P29S-7D5152-28*	C8SC0029-028	FASTBOOT® FUSELAGE-NACELLE RH (ESTANE®) DE-ICE BOOT	1	4.6
3	P29S-7D5152-29*	C8SC0029-029	FASTBOOT® INBOARD WING LH ESTANE®) DE-ICE BOOT	1	4.6
4	P29S-7D5152-30*	C8SC0029-030	FASTBOOT® INBOARD WING RH ESTANE®) DE-ICE BOOT	1	4.6

*PART NUMBERS (P)29S-7D5152-27, -28, -29, -30 ARE SUITABLE REPLACEMENTS FOR (P)29S-7D5152-17, -18, -01, -02 RESPECTIVELY

ESTANE® DE-ICERS HAVE A SURFACE PLY RESISTANT TO DIESTER TYPE ENGINE OIL

BOMBARDIER (DEHAVILLAND) DHC-8-100 (PRE MOD)

BOMBARDIER (DEHAVILLAND) DHC-8-100 (PRE MOD)



BOMBARDIER (DEHAVILLAND) DHC-8-100 (PRE MOD)

BOMBARDIER (DEHAVILLAND) DHC-8-100 (POST MOD)
STANDARD DE-ICE BOOTS

POSITION ID	GOODRICH PART NUMBER	AIRCRAFT OEM P/N	DESCRIPTION	QTY PER AIRCRAFT	WT
1	29S-7D5152-17	8SC0029-015	FUSELAGE-NACELLE LH DE-ICE BOOT	1	4.6
2	29S-7D5152-18	8SC0029-016	FUSELAGE-NACELLE RH DE-ICE BOOT	1	4.6
3	29S-7D5152-21	8SC0029-021	INBOARD WING LH DE-ICE BOOT	1	4.6
3	29S-7D5152-35*	8SC0029-035	INBOARD WING LH (ESTANE®) DE-ICE BOOT	1	5.0
4	29S-7D5152-22	8SC0029-022	INBOARD WING RH DE-ICE BOOT	1	4.6
4	29S-7D5152-36*	8SC0029-036	INBOARD WING RH (ESTANE®) DE-ICE BOOT	11	5.0
5	29S-7D5152-37	8SC0029-037	INBOARD CENTER WING LH DE-ICE BOOT	1	2.0
6	29S-7D5152-38	8SC0029-038	INBOARD CENTER WING RH DE-ICE BOOT	1	2.0
7	29S-7D5152-41	8SC0029-041	OUTBOARD CENTER WING LH DE-ICE BOOT	1	4.0
8	29S-7D5152-42	8SC0029-042	OUTBOARD CENTER WING RH DE-ICE BOOT	1	4.0
9	29S-7D5152-43	8SC0029-043	OUTBOARD WING LH DE-ICE BOOT	1	4.0
10	29S-7D5152-44	8SC0029-044	OUTBOARD WING RH DE-ICE BOOT	1	4.0
11	29S-7D5152-09	8SC0029-009	INBOARD HORIZONTAL STABILIZER LH DE-ICE BOOT	1	3.4
12	29S-7D5152-10	8SC0029-010	INBOARD HORIZONTAL STABILIZER RH DE-ICE BOOT	1	3.4
13	29S-7D5152-11	8SC0029-011	OUTBOARD HORIZONTAL STABILIZER LH DE-ICE BOOT	1	3.3
14	29S-7D5152-12	8SC0029-012	OUTBOARD HORIZONTAL STABILIZER RH DE-ICE BOOT	1	3.3
15	29S-7D5152-31*	8SC0041-001	ENGINE AIR INTAKE (ESTANE®) DE-ICE BOOT	2	1.6

*PART NUMBERS (P)29S-7D5152-35, -36 ARE SUITABLE REPLACEMENTS FOR (P)29S-7D5152-21, -22 RESPECTIVELY

ESTANE® DE-ICERS HAVE A SURFACE PLY RESISTANT TO DIESTER TYPE ENGINE OIL

OPTIONAL STANDARD DE-ICE BOOTS

POSITION ID	GOODRICH PART NUMBER	AIRCRAFT OEM P/N	DESCRIPTION	QTY PER AIRCRAFT	WT
1	29S-7D5152-27*	8SC0029-027	FUSELAGE-NACELLE LH (ESTANE®) DE-ICE BOOT	1	4.6
2	29S-7D5152-28*	8SC0029-028	FUSELAGE-NACELLE RH (ESTANE®) DE-ICE BOOT	1	4.6

*PART NUMBERS (P)29S-7D5152-27, -28 ARE SUITABLE REPLACEMENTS FOR (P)29S-7D5152-17, -18 RESPECTIVELY

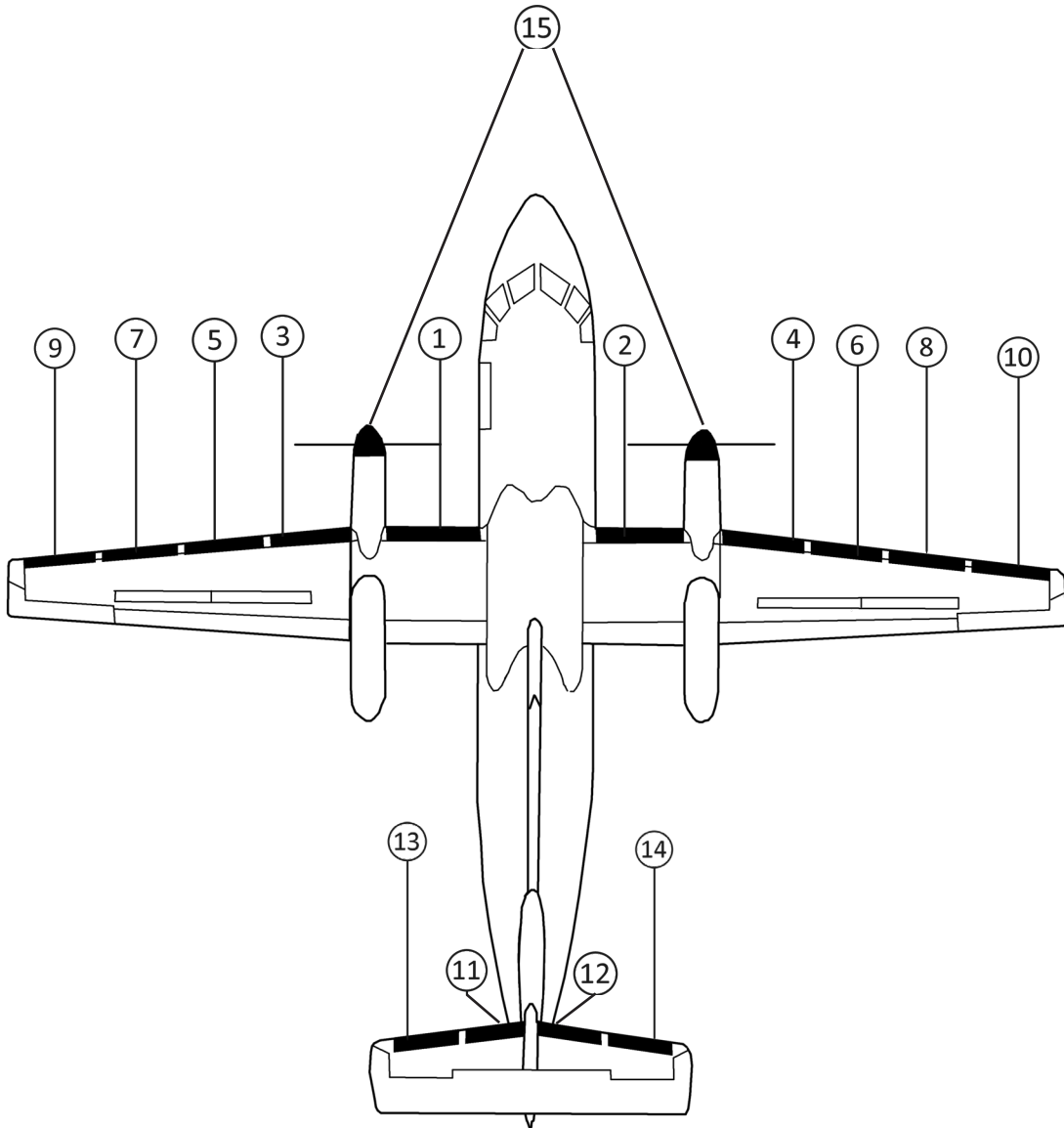
ESTANE® DE-ICERS HAVE A SURFACE PLY RESISTANT TO DIESTER TYPE ENGINE OIL

FASTboot® DE-ICE BOOTS

POSITION ID	GOODRICH PART NUMBER	AIRCRAFT OEM P/N	DESCRIPTION	QTY PER AIRCRAFT	WT
1	P29S-7D5152-17	C8SC0029-015	FASTBOOT® FUSELAGE-NACELLE LH DE-ICE BOOT	1	5.0
2	P29S-7D5152-18	C8SC0029-016	FASTBOOT® FUSELAGE-NACELLE RH DE-ICE BOOT	1	5.0

BOMBARDIER (DEHAVILLAND) DHC-8-100 (POST MOD)

BOMBARDIER (DEHAVILLAND) DHC-8-100 (POST MOD)



BOMBARDIER (DEHAVILLAND) DHC-8-100 (POST MOD)

BOMBARDIER (DEHAVILLAND) DHC-8-100 (POST MOD)
FASTboot® DE-ICE BOOTS (CONTINUED)

POSITION ID	GOODRICH PART NUMBER	AIRCRAFT OEM P/N	DESCRIPTION	QTY PER AIRCRAFT	WT
3	P29S-7D5152-21	C8SC0029-021	FASTBOOT® INBOARD WING LH DE-ICE BOOT	1	4.6
3	P29S-7D5152-35*	C8SC0029-035	FASTBOOT® INBOARD WING LH (ESTANE®) DE-ICE BOOT	1	4.6
4	P29S-7D5152-22	C8SC0029-022	FASTBOOT® INBOARD WING RH DE-ICE BOOT	1	4.6
4	P29S-7D5152-36*	C8SC0029-036	FASTBOOT® INBOARD WING RH (ESTANE®) DE-ICE BOOT	1	4.6
5	P29S-7D5152-37	C8SC0029-037	FASTBOOT® INBOARD CENTER WING LH DE-ICE BOOT	1	2.0
6	P29S-7D5152-38	C8SC0029-038	FASTBOOT® INBOARD CENTER WING RH DE-ICE BOOT	1	2.0
7	P29S-7D5152-41	C8SC0029-041	FASTBOOT® OUTBOARD CENTER WING LH DE-ICE BOOT	1	4.0
8	P29S-7D5152-42	C8SC0029-042	FASTBOOT® OUTBOARD CENTER WING RH DE-ICE BOOT	1	4.0
9	P29S-7D5152-43	C8SC0029-043	FASTBOOT® OUTBOARD WING LH DE-ICE BOOT	1	3.9
10	P29S-7D5152-44	C8SC0029-044	FASTBOOT® OUTBOARD WING RH DE-ICE BOOT	1	3.9
11	P29S-7D5152-09	C8SC0029-009	FASTBOOT® INBOARD STABILIZER LH DE-ICE BOOT	1	3.4
12	P29S-7D5152-10	C8SC0029-010	FASTBOOT® INBOARD STABILIZER RH DE-ICE BOOT	1	3.4
13	P29S-7D5152-11	C8SC0029-011	FASTBOOT® OUTBOARD STABILIZER LH DE-ICE BOOT	1	3.3
14	P29S-7D5152-12	C8SC0029-012	FASTBOOT® OUTBOARD STABILIZER RH DE-ICE BOOT	1	3.3

*PART NUMBERS (P)29S-7D5152-35, -36 ARE SUITABLE REPLACEMENTS FOR (P)29S-7D5152-21, -22 RESPECTIVELY

ESTANE® DE-ICERS HAVE A SURFACE PLY RESISTANT TO DIESTER TYPE ENGINE OIL

OPTIONAL FASTboot® DE-ICE BOOTS

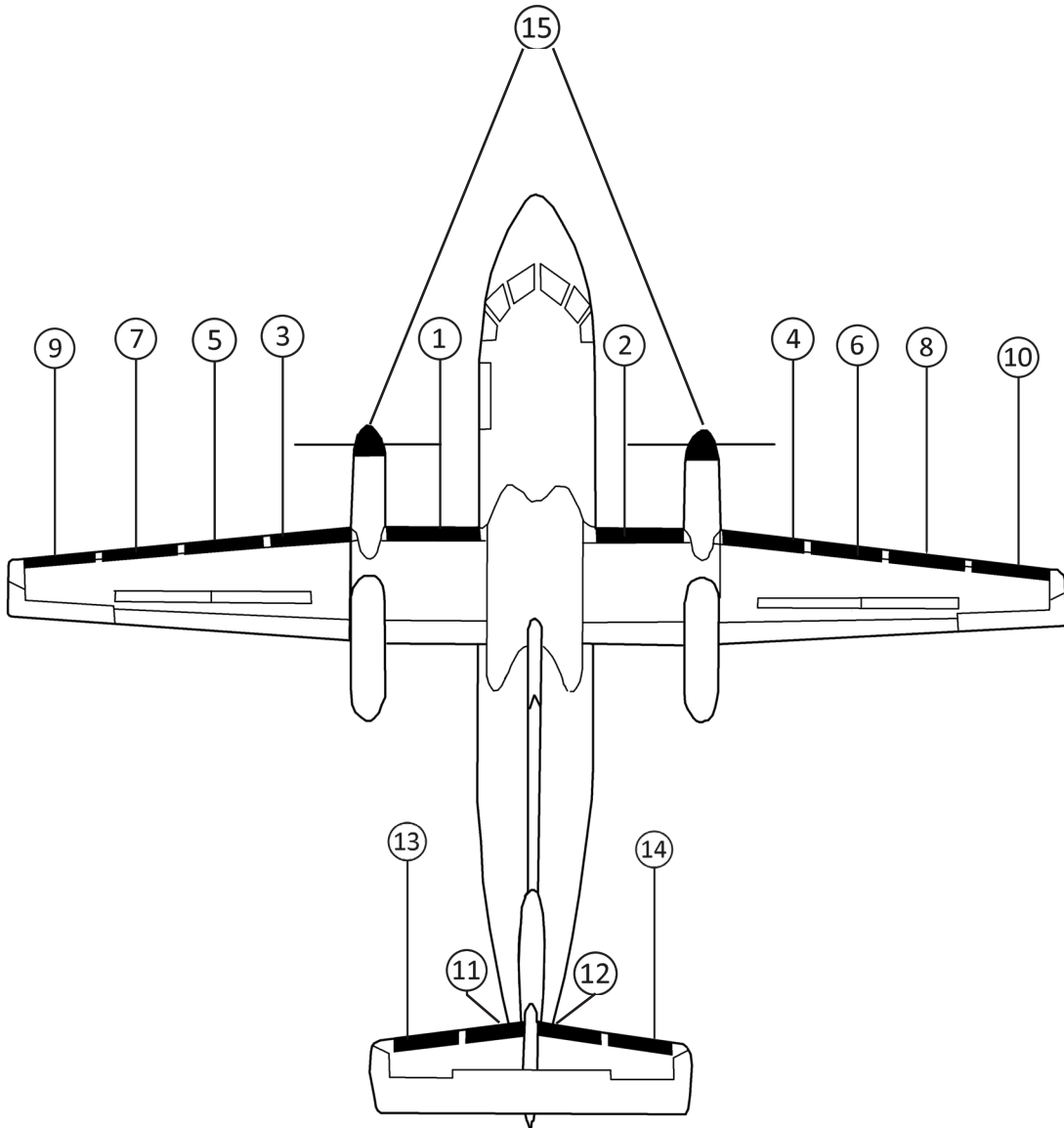
POSITION ID	GOODRICH PART NUMBER	AIRCRAFT OEM P/N	DESCRIPTION	QTY PER AIRCRAFT	WT
1	P29S-7D5152-27*	C8SC0029-027	FASTBOOT® FUSELAGE-NACELLE LH (ESTANE®) DE-ICE BOOT	1	4.6
2	P29S-7D5152-28*	C8SC0029-028	FASTBOOT® FUSELAGE-NACELLE RH (ESTANE®) DE-ICE BOOT	1	4.6

*PART NUMBERS (P)29S-7D5152-27, -28 ARE SUITABLE REPLACEMENTS FOR (P)29S-7D5152-17, -18 RESPECTIVELY

ESTANE® DE-ICERS HAVE A SURFACE PLY RESISTANT TO DIESTER TYPE ENGINE OIL

BOMBARDIER (DEHAVILLAND) DHC-8-100 (POST MOD)

BOMBARDIER (DEHAVILLAND) DHC-8-100 (POST MOD)



BOMBARDIER (DEHAVILLAND) DHC-8-100 (POST MOD)

BOMBARDIER (DEHAVILLAND) DHC-8-200 (PRE MOD)
STANDARD DE-ICE BOOTS

POSITION ID	GOODRICH PART NUMBER	AIRCRAFT OEM P/N	DESCRIPTION	QTY PER AIRCRAFT	WT
1	29S-7D5152-17	8SC0029-015	FUSELAGE-NACELLE LH DE-ICE BOOT	1	4.6
2	29S-7D5152-18	8SC0029-016	FUSELAGE-NACELLE RH DE-ICE BOOT	1	4.6
3	29S-7D5152-01	8SC0029-001	INBOARD WING LH DE-ICE BOOT	1	4.6
3	29S-7D5152-21	8SC0029-021	INBOARD WING LH DE-ICE BOOT	1	4.6
4	29S-7D5152-02	8SC0029-002	INBOARD WING RH DE-ICE BOOT	1	4.6
4	29S-7D5152-22	8SC0029-022	INBOARD WING RH DE-ICE BOOT	1	4.6
5	29S-7D5152-15	8SC0029-013	INBOARD CENTER WING LH DE-ICE BOOT	1	2.0
6	29S-7D5152-16	8SC0029-014	INBOARD CENTER WING RH DE-ICE BOOT	1	2.0
7	29S-7D5152-05	8SC0029-005	OUTBOARD CENTER WING LH DE-ICE BOOT	1	4.0
8	29S-7D5152-06	8SC0029-006	OUTBOARD CENTER WING RH DE-ICE BOOT	1	4.0
9	29S-7D5152-07	8SC0029-007	OUTBOARD WING LH DE-ICE BOOT	1	3.9
10	29S-7D5152-08	8SC0029-008	OUTBOARD WING RH DE-ICE BOOT	1	3.9
11	29S-7D5152-09	8SC0029-009	INBOARD HORIZONTAL STABILIZER LH DE-ICE BOOT	1	3.4
12	29S-7D5152-10	8SC0029-010	INBOARD HORIZONTAL STABILIZER RH DE-ICE BOOT	1	3.4
13	29S-7D5152-11	8SC0029-011	OUTBOARD HORIZONTAL STABILIZER LH DE-ICE BOOT	1	3.3
14	29S-7D5152-12	8SC0029-012	OUTBOARD HORIZONTAL STABILIZER RH DE-ICE BOOT	1	3.3

OPTIONAL STANDARD DE-ICE BOOTS

POSITION ID	GOODRICH PART NUMBER	AIRCRAFT OEM P/N	DESCRIPTION	QTY PER AIRCRAFT	WT
1	29S-7D5152-27*	8SC0029-027	FUSELAGE-NACELLE LH (ESTANE®) DE-ICE BOOT	1	4.6
2	29S-7D5152-28*	8SC0029-028	FUSELAGE-NACELLE RH (ESTANE®) DE-ICE BOOT	1	4.6
3	29S-7D5152-29*	8SC0029-029	INBOARD WING LH (ESTANE®) DE-ICE BOOT	1	4.6
4	29S-7D5152-30*	8SC0029-030	INBOARD WING RH (ESTANE®) DE-ICE BOOT	1	4.6

*PART NUMBERS (P)29S-7D5152-27, -28, -29, -30 ARE SUITABLE REPLACEMENTS FOR (P)29S-7D5152-17, -18, -01, -02 RESPECTIVELY

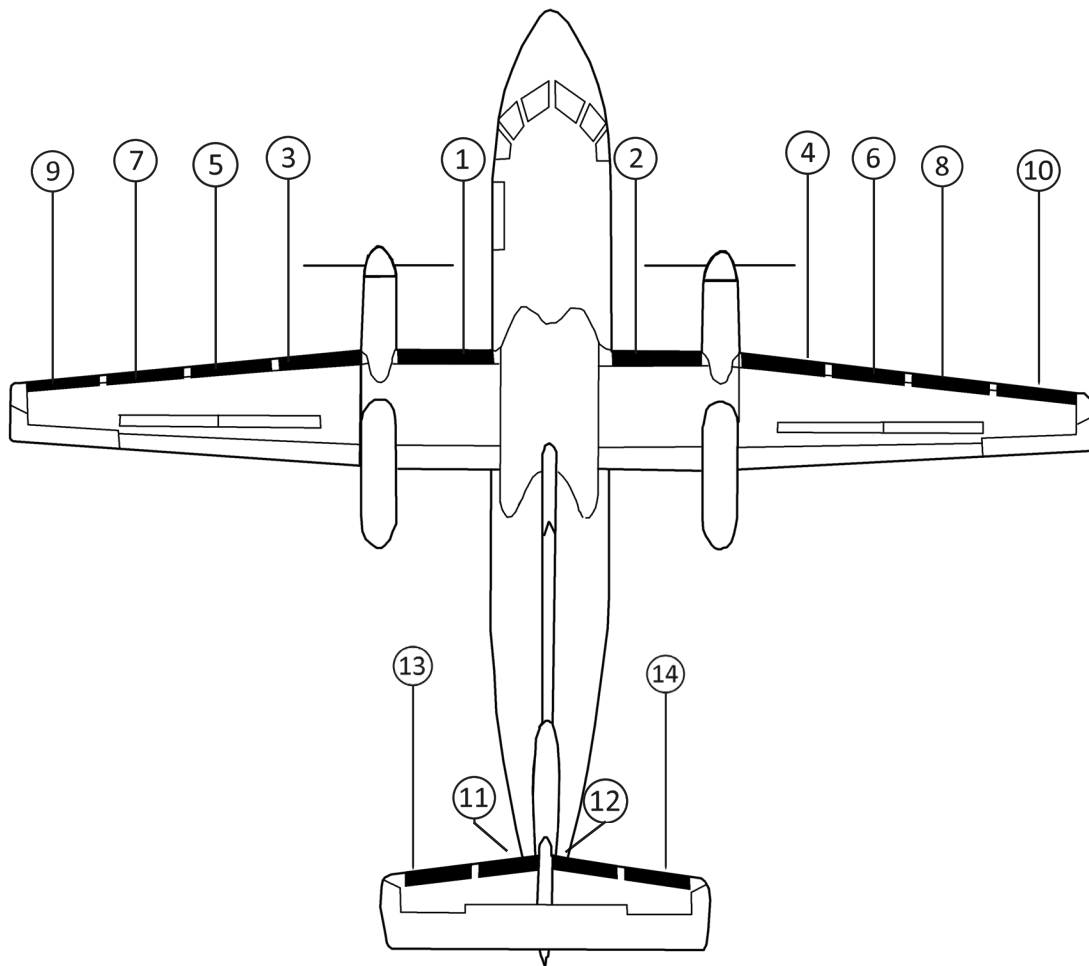
ESTANE® DE-ICERS HAVE A SURFACE PLY RESISTANT TO DIESTER TYPE ENGINE OIL

FASTboot® DE-ICE BOOTS

POSITION ID	GOODRICH PART NUMBER	AIRCRAFT OEM P/N	DESCRIPTION	QTY PER AIRCRAFT	WT
1	P29S-7D5152-17	C8SC0029-017	FASTBOOT® FUSELAGE-NACELLE LH DE-ICE BOOT	1	5.0
2	P29S-7D5152-18	C8SC0029-018	FASTBOOT® FUSELAGE-NACELLE RH DE-ICE BOOT	1	5.0

BOMBARDIER (DEHAVILLAND) DHC-8-200 (PRE MOD)

BOMBARDIER (DEHAVILLAND) DHC-8-200 (PRE MOD)



BOMBARDIER (DEHAVILLAND) DHC-8-200 (PRE MOD)

BOMBARDIER (DEHAVILLAND) DHC-8-200 (PRE MOD)
FASTboot® DE-ICE BOOTS (CONTINUED)

POSITION ID	GOODRICH PART NUMBER	AIRCRAFT OEM P/N	DESCRIPTION	QTY PER AIRCRAFT	WT
3	P29S-7D5152-01	C8SC0029-001	FASTBOOT® INBOARD WING LH DE-ICE BOOT	1	4.6
3	P29S-7D5152-21	C8SC0029-021	FASTBOOT® INBOARD WING LH DE-ICE BOOT	1	4.6
4	P29S-7D5152-02	C8SC0029-002	FASTBOOT® INBOARD WING RH DE-ICE BOOT	1	4.6
4	P29S-7D5152-22	C8SC0029-022	FASTBOOT® INBOARD WING RH DE-ICE BOOT	1	4.6
5	P29S-7D5152-15	C8SC0029-015	FASTBOOT® INBOARD CENTER WING LH DE-ICE BOOT	1	2.0
6	P29S-7D5152-16	C8SC0029-016	FASTBOOT® INBOARD CENTER WING RH DE-ICE BOOT	1	2.0
7	P29S-7D5152-05	C8SC0029-005	FASTBOOT® OUTBOARD CENTER WING LH DE-ICE BOOT	1	4.0
8	P29S-7D5152-07	C8SC0029-007	FASTBOOT® OUTBOARD WING LH DE-ICE BOOT	1	4.0
9	P29S-7D5152-06	C8SC0029-006	FASTBOOT® OUTBOARD CENTER WING RH DE-ICE BOOT	1	3.9
10	P29S-7D5152-08	C8SC0029-008	FASTBOOT® OUTBOARD WING RH DE-ICE BOOT	1	3.9
11	P29S-7D5152-09	C8SC0029-009	FASTBOOT® INBOARD STABILIZER LH DE-ICE BOOT	1	3.4
12	P29S-7D5152-10	C8SC0029-010	FASTBOOT® INBOARD STABILIZER RH DE-ICE BOOT	1	3.4
13	P29S-7D5152-11	C8SC0029-011	FASTBOOT® OUTBOARD STABILIZER LH DE-ICE BOOT	1	3.3
14	P29S-7D5152-12	C8SC0029-012	FASTBOOT® OUTBOARD STABILIZER LH DE-ICE BOOT	1	3.3

OPTIONAL FASTboot® DE-ICE BOOTS

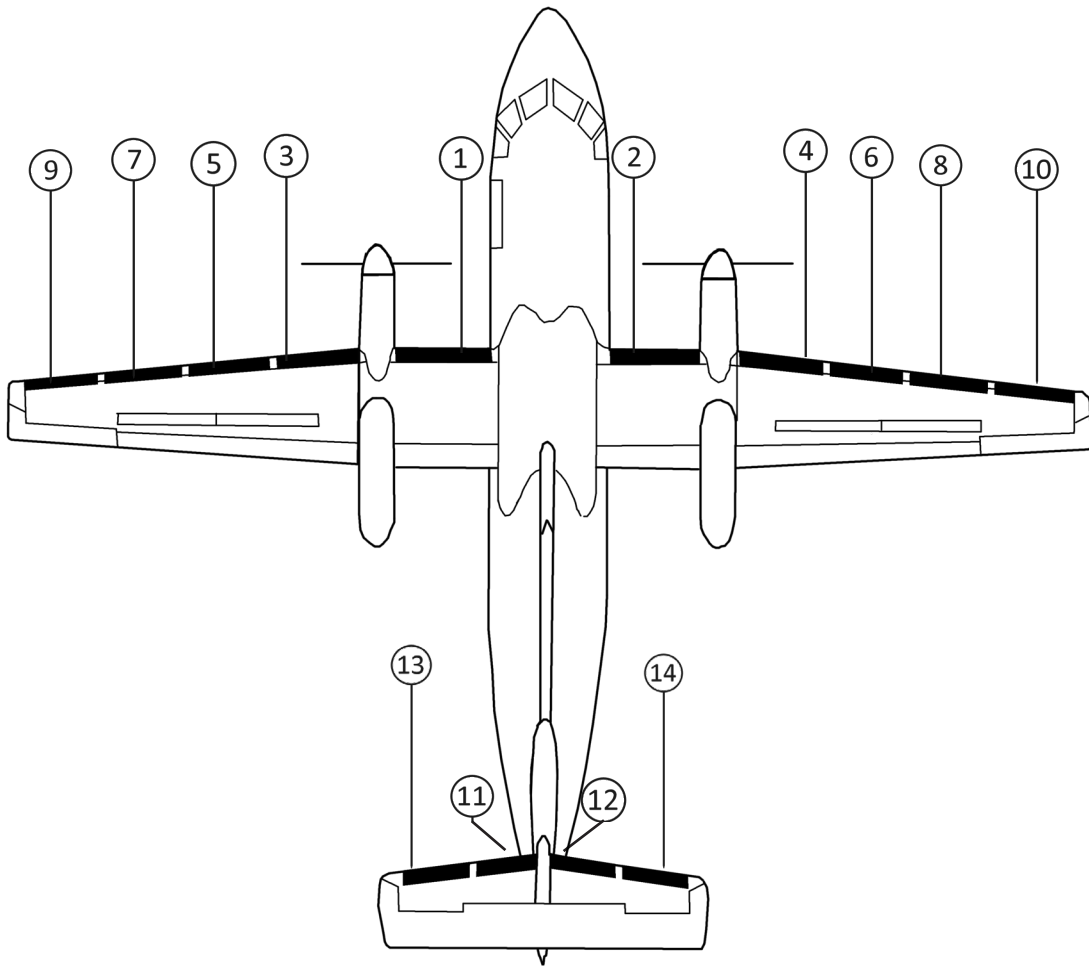
POSITION ID	GOODRICH PART NUMBER	AIRCRAFT OEM P/N	DESCRIPTION	QTY PER AIRCRAFT	WT
1	P29S-7D5152-27*	C8SC0029-027	FASTBOOT® FUSELAGE-NACELLE LH (ESTANE®) DE-ICE BOOT	1	4.6
2	P29S-7D5152-28*	C8SC0029-028	FASTBOOT® FUSELAGE-NACELLE RH (ESTANE®) DE-ICE BOOT	1	4.6
3	P29S-7D5152-29*	C8SC0029-029	FASTBOOT® INBOARD WING LH ESTANE®) DE-ICE BOOT	1	4.6
4	P29S-7D5152-30*	C8SC0029-030	FASTBOOT® INBOARD WING RH ESTANE®) DE-ICE BOOT	1	4.6

*PART NUMBERS (P)29S-7D5152-27, -28, -29, -30 ARE SUITABLE REPLACEMENTS FOR (P)29S-7D5152-17, -18, -01, -02 RESPECTIVELY

ESTANE® DE-ICERS HAVE A SURFACE PLY RESISTANT TO DIESTER TYPE ENGINE OIL

BOMBARDIER (DEHAVILLAND) DHC-8-200 (PRE MOD)

BOMBARDIER (DEHAVILLAND) DHC-8-200 (PRE MOD)



BOMBARDIER (DEHAVILLAND) DHC-8-200 (PRE MOD)

BOMBARDIER (DEHAVILLAND) DHC-8-200 (POST MOD)
STANDARD DE-ICE BOOTS

POSITION ID	GOODRICH PART NUMBER	AIRCRAFT OEM P/N	DESCRIPTION	QTY PER AIRCRAFT	WT
1	29S-7D5152-17	8SC0029-015	FUSELAGE-NACELLE LH DE-ICE BOOT	1	4.6
2	29S-7D5152-18	8SC0029-016	FUSELAGE-NACELLE RH DE-ICE BOOT	1	4.6
3	29S-7D5152-21*	8SC0029-021	INBOARD WING LH DE-ICE BOOT	1	4.6
3	29S-7D5152-35*	C8SC0029-035	INBOARD WING LH (ESTANE®) DE-ICE BOOT	1	5.0
4	29S-7D5152-22*	8SC0029-022	INBOARD WING RH DE-ICE BOOT	1	4.6
4	29S-7D5152-36*	C8SC0029-036	INBOARD WING RH (ESTANE®) DE-ICE BOOT	1	5.0
5	29S-7D5152-37	C8SC0029-037	INBOARD CENTER WING LH DE-ICE BOOT	1	2.0
6	29S-7D5152-38	C8SC0029-038	INBOARD CENTER WING RH DE-ICE BOOT	1	2.0
7	29S-7D5152-43	C8SC0029-043	OUTBOARD WING LH DE-ICE BOOT	1	4.0
8	29S-7D5152-44	C8SC0029-044	OUTBOARD WING RH DE-ICE BOOT	1	4.0
9	29S-7D5152-41	C8SC0029-041	OUTBOARD CENTER WING LH DE-ICE BOOT	1	4.0
10	29S-7D5152-42	C8SC0029-042	OUTBOARD CENTER WING RH DE-ICE BOOT	1	4.0
11	29S-7D5152-09	8SC0029-009	INBOARD HORIZONTAL STABILIZER LH DE-ICE BOOT	1	3.4
12	29S-7D5152-10	8SC0029-010	INBOARD HORIZONTAL STABILIZER RH DE-ICE BOOT	1	3.4
13	29S-7D5152-11	8SC0029-011	OUTBOARD HORIZONTAL STABILIZER LH DE-ICE BOOT	1	3.3
14	29S-7D5152-12	8SC0029-012	OUTBOARD HORIZONTAL STABILIZER RH DE-ICE BOOT	1	3.3

*PART NUMBERS (P)29S-7D5152-35, -36 ARE SUITABLE REPLACEMENTS FOR (P)29S-7D5152-21,-22 RESPECTIVELY

ESTANE® DE-ICERS HAVE A SURFACE PLY RESISTANT TO DIESTER TYPE ENGINE OIL

OPTIONAL STANDARD DE-ICE BOOTS

POSITION ID	GOODRICH PART NUMBER	AIRCRAFT OEM P/N	DESCRIPTION	QTY PER AIRCRAFT	WT
1	29S-7D5152-27	8SC0029-027	FUSELAGE-NACELLE LH (ESTANE®) DE-ICE BOOT	1	4.6
2	29S-7D5152-28	8SC0029-028	FUSELAGE-NACELLE RH (ESTANE®) DE-ICE BOOT	1	4.6

*PART NUMBERS 29S-7D5152-27, -28 ARE SUITABLE REPLACEMENTS FOR 29S-7D5152-17, -18 RESPECTIVELY

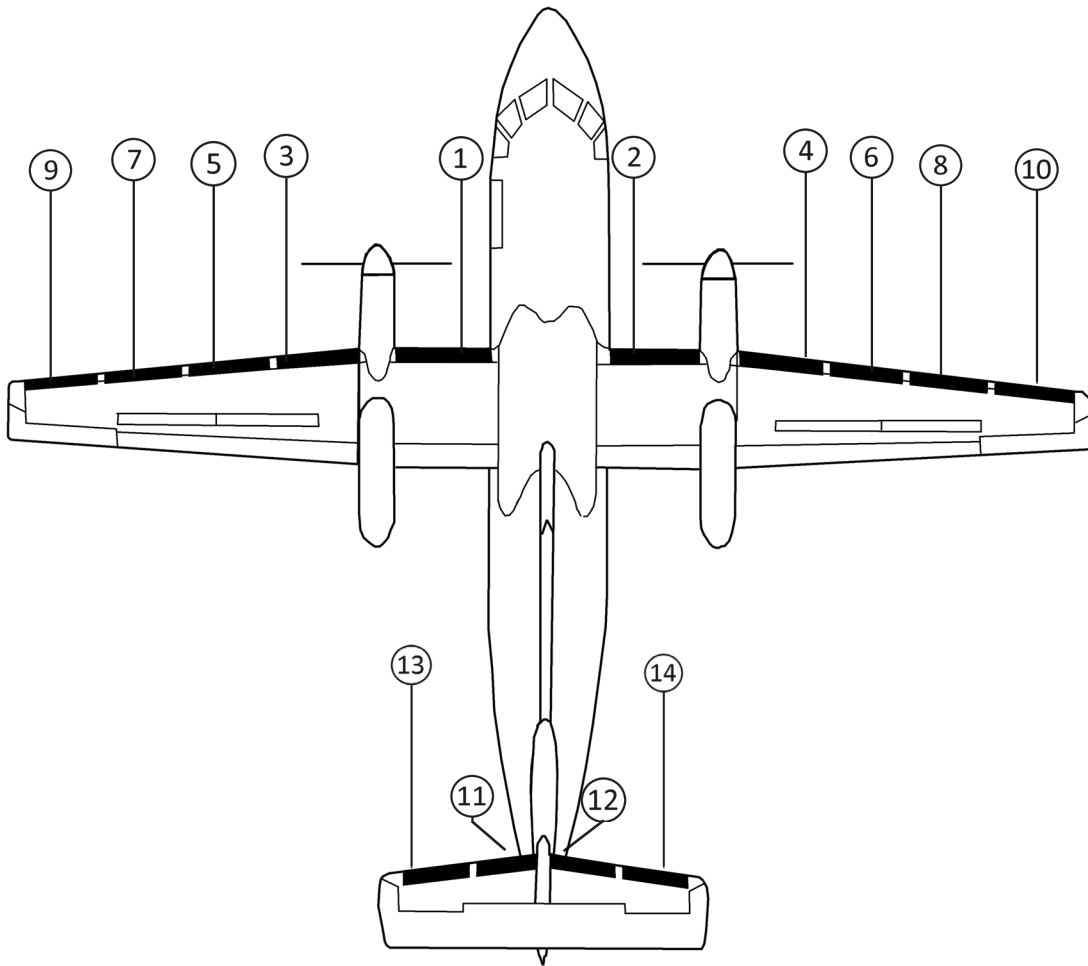
ESTANE® DE-ICERS HAVE A SURFACE PLY RESISTANT TO DIESTER TYPE ENGINE OIL

FASTboot® DE-ICE BOOTS

POSITION ID	GOODRICH PART NUMBER	AIRCRAFT OEM P/N	DESCRIPTION	QTY PER AIRCRAFT	WT
1	P29S-7D5152-17	8SC0029-15	FASTBOOT® FUSELAGE-NACELLE LH DE-ICE BOOT	1	4.6
2	P29S-7D5152-18	8SC0029-16	FASTBOOT® FUSELAGE-NACELLE RH DE-ICE BOOT	1	4.6

BOMBARDIER (DEHAVILLAND) DHC-8-200 (POST MOD)

BOMBARDIER (DEHAVILLAND) DHC-8-200 (POST MOD)



BOMBARDIER (DEHAVILLAND) DHC-8-200 (POST MOD)

BOMBARDIER (DEHAVILLAND) DHC-8-200 (POST MOD)
FASTboot® DE-ICE BOOTS (CONTINUED)

POSITION ID	GOODRICH PART NUMBER	AIRCRAFT OEM P/N	DESCRIPTION	QTY PER AIRCRAFT	WT
3	P29S-7D5152-21*	C8SC0029-021	FASTBOOT® INBOARD WING LH DE-ICE BOOT	1	4.6
3	P29S-7D5152-35*	C8SC0029-035	FASTBOOT® INBOARD WING LH (ESTANE®) DE-ICE BOOT	1	4.6
4	P29S-7D5152-22*	C8SC0029-022	FASTBOOT® INBOARD WING RH DE-ICE BOOT	1	4.6
4	P29S-7D5152-36*	C8SC0029-036	FASTBOOT® INBOARD WING RH (ESTANE®) DE-ICE BOOT	1	4.6
5	P29S-7D5152-37	C8SC0029-037	FASTBOOT® INBOARD CENTER WING LH DE-ICE BOOT	1	2.0
6	P29S-7D5152-38	C8SC0029-038	FASTBOOT® INBOARD CENTER WING RH DE-ICE BOOT	1	2.0
7	P29S-7D5152-41	C8SC0029-041	FASTBOOT® OUTBOARD CENTER WING LH DE-ICE BOOT	1	4.0
8	P29S-7D5152-42	C8SC0029-042	FASTBOOT® OUTBOARD CENTER WING RH DE-ICE BOOT	1	4.0
9	P29S-7D5152-43	C8SC0029-043	FASTBOOT® OUTBOARD WING LH DE-ICE BOOT	1	3.9
10	P29S-7D5152-44	C8SC0029-044	FASTBOOT® OUTBOARD WING RH DE-ICE BOOT	1	3.9
11	P29S-7D5152-09	C8SC0029-009	FASTBOOT® INBOARD STABILIZER LH DE-ICE BOOT	1	3.4
12	P29S-7D5152-10	C8SC0029-010	FASTBOOT® INBOARD STABILIZER RH DE-ICE BOOT	1	3.4
13	P29S-7D5152-11	C8SC0029-011	FASTBOOT® OUTBOARD STABILIZER LH DE-ICE BOOT	1	3.3
14	P29S-7D5152-12	C8SC0029-012	FASTBOOT® OUTBOARD STABILIZER RH DE-ICE BOOT	1	3.3

*PART NUMBERS (P)29S-7D5152-35, -36 ARE SUITABLE REPLACEMENTS FOR (P)29S-7D5152-21,-22 RESPECTIVELY

ESTANE® DE-ICERS HAVE A SURFACE PLY RESISTANT TO DIESTER TYPE ENGINE OIL

OPTIONAL FASTboot® DE-ICE BOOTS

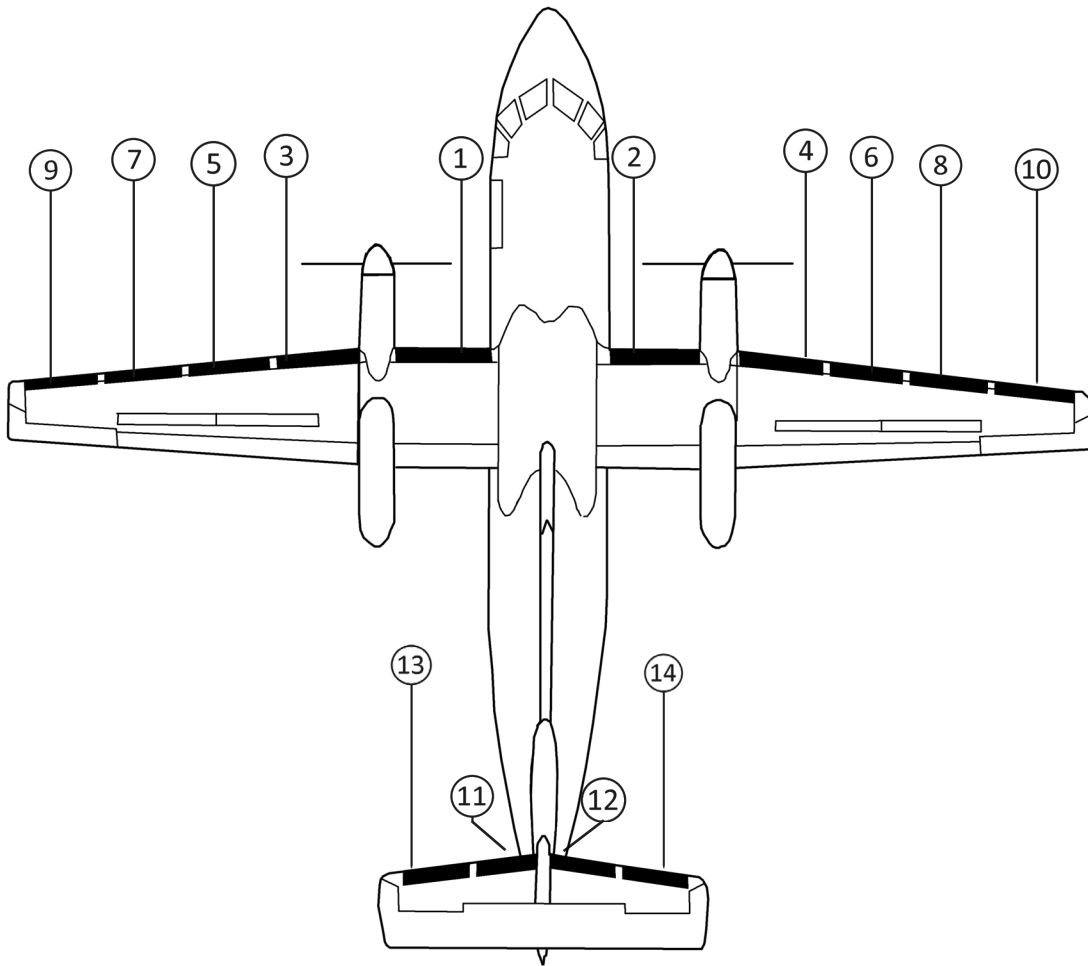
POSITION ID	GOODRICH PART NUMBER	AIRCRAFT OEM P/N	DESCRIPTION	QTY PER AIRCRAFT	WT
1	P29S-7D5152-27	C8SC0029-027*	FASTBOOT® FUSELAGE-NACELLE LH (ESTANE®) DE-ICE BOOT	1	4.6
2	P29S-7D5152-28	C8SC0029-028*	FASTBOOT® FUSELAGE-NACELLE RH (ESTANE®) DE-ICE BOOT	1	4.6

*PART NUMBERS 29S-7D5152-27, -28 ARE SUITABLE REPLACEMENTS FOR 29S-7D5152-17, -18 RESPECTIVELY

ESTANE® DE-ICERS HAVE A SURFACE PLY RESISTANT TO DIESTER TYPE ENGINE OIL

BOMBARDIER (DEHAVILLAND) DHC-8-200 (POST MOD)

BOMBARDIER (DEHAVILLAND) DHC-8-200 (POST MOD)



BOMBARDIER (DEHAVILLAND) DHC-8-200 (POST MOD)

BOMBARDIER (DEHAVILLAND) DHC-8-300 (PRE MOD)
STANDARD DE-ICE BOOTS

POSITION ID	GOODRICH PART NUMBER	AIRCRAFT OEM P/N	DESCRIPTION	QTY PER AIRCRAFT	WT
1	29S-7D5152-17	8SC0029-015	FUSELAGE-NACELLE LH DE-ICE BOOT	1	4.6
2	29S-7D5152-18	8SC0029-016	FUSELAGE-NACELLE RH DE-ICE BOOT	1	4.6
3	29S-7D5152-21	8SC0029-021	INBOARD WING LH DE-ICE BOOT	1	4.6
4	29S-7D5152-22	8SC0029-022	INBOARD WING RH DE-ICE BOOT	1	4.6
5	29S-7D5152-33	8SC0029-033	INBOARD CENTER WING LH DE-ICE BOOT	1	2.0
6	29S-7D5152-34	8SC0029-034	INBOARD CENTER WING RH DE-ICE BOOT	1	2.0
7	29S-7D5152-05	8SC0029-005	OUTBOARD CENTER WING LH DE-ICE BOOT	1	4.0
8	29S-7D5152-06	8SC0029-006	OUTBOARD CENTER WING RH DE-ICE BOOT	1	4.0
9	29S-7D5152-07	8SC0029-007	OUTBOARD WING LH DE-ICE BOOT	1	3.9
10	29S-7D5152-08	8SC0029-008	OUTBOARD WING RH DE-ICE BOOT	1	3.9
11	29S-7D5152-23	8SC0029-023	WING EXTENSION LH DE-ICE BOOT	1	1.4
12	29S-7D5152-24	8SC0029-024	WING EXTENSION RH DE-ICE BOOT	1	1.4
13	29S-7D5152-09	8SC0029-009	INBOARD HORIZONTAL STABILIZER LH DE-ICE BOOT	1	3.4
14	29S-7D5152-10	8SC0029-010	INBOARD HORIZONTAL STABILIZER RH DE-ICE BOOT	1	3.4
15	29S-7D5152-11	8SC0029-011	OUTBOARD HORIZONTAL STABILIZER LH DE-ICE BOOT	1	3.3
16	29S-7D5152-12	8SC0029-012	OUTBOARD HORIZONTAL STABILIZER RH DE-ICE BOOT	1	3.3
17	29S-7D5152-25	8SC0029-025	VERTICAL STABILIZER DE-ICE BOOT	1	5.9
18	29S-7D5152-31*	8SC0041-001	ENGINE AIR INTAKE (ESTANE®) DE-ICE BOOT	2	1.6

OPTIONAL STANDARD DE-ICE BOOTS

POSITION ID	GOODRICH PART NUMBER	AIRCRAFT OEM P/N	DESCRIPTION	QTY PER AIRCRAFT	WT
1	29S-7D5152-27*	8SC0029-027	FUSELAGE-NACELLE LH (ESTANE®) DE-ICE BOOT	1	4.6
2	29S-7D5152-28*	8SC0029-028	FUSELAGE-NACELLE RH (ESTANE®) DE-ICE BOOT	1	4.6
3	29S-7D5152-29*	8SC0029-029	INBOARD WING LH (ESTANE®) DE-ICE BOOT	1	4.6
4	29S-7D5152-30*	8SC0029-030	INBOARD WING RH (ESTANE®) DE-ICE BOOT	1	4.6

*PART NUMBERS 29S-7D5152-27, -28, -29, -30 ARE SUITABLE REPLACEMENTS FOR 29S-7D5152-17, -18, -01, -02 RESPECTIVELY

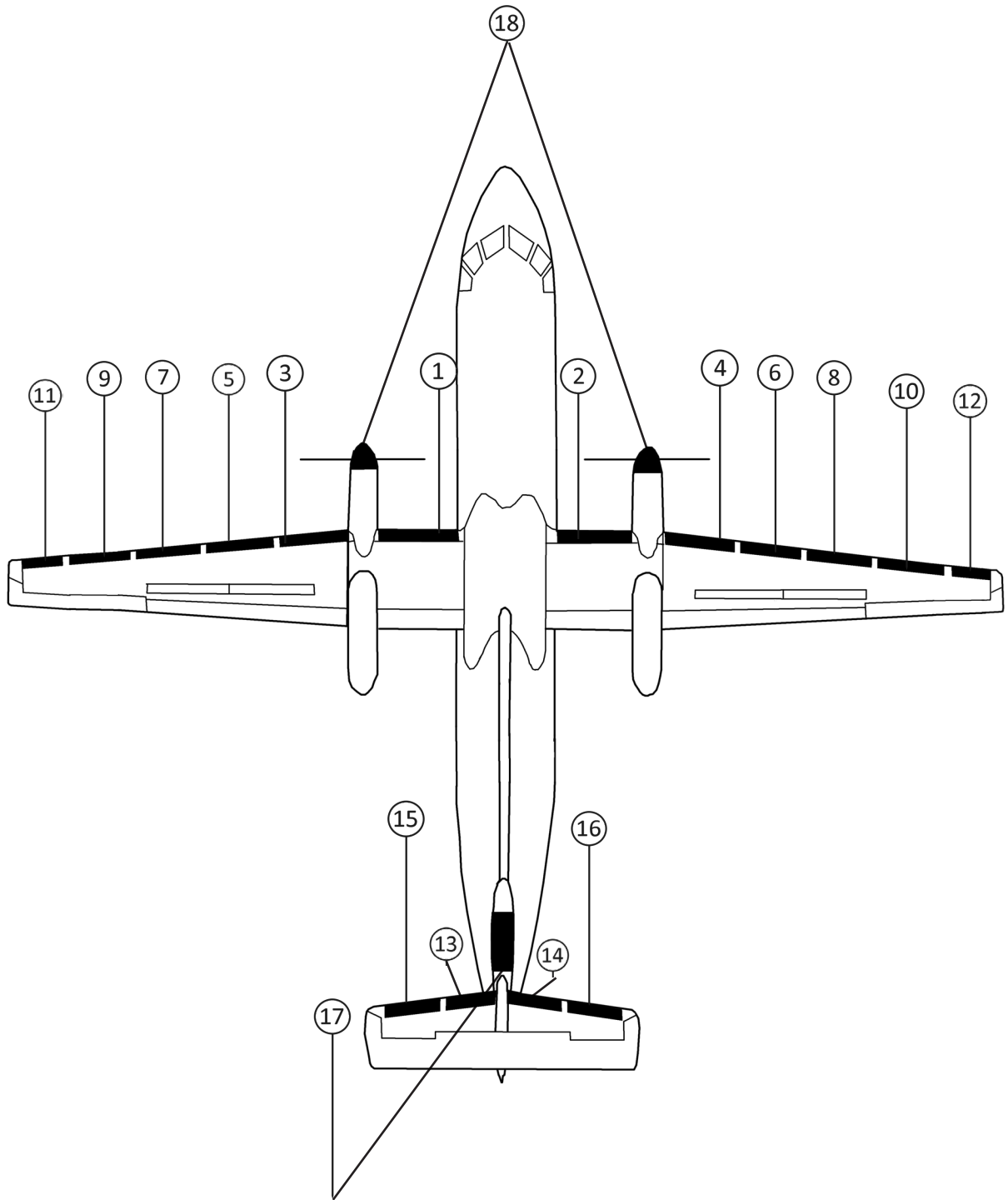
ESTANE® DE-ICERS HAVE A SURFACE PLY RESISTANT TO DIESTER TYPE ENGINE OIL

FASTboot® DE-ICE BOOTS

POSITION ID	GOODRICH PART NUMBER	AIRCRAFT OEM P/N	DESCRIPTION	QTY PER AIRCRAFT	WT
1	P29S-7D5152-17	8SC0029-015	FASTBOOT® FUSELAGE-NACELLE LH DE-ICE BOOT	1	4.6

BOMBARDIER (DEHAVILLAND) DHC-8-300 (PRE MOD)

BOMBARDIER (DEHAVILLAND) DHC-8-300 (PRE MOD)



BOMBARDIER (DEHAVILLAND) DHC-8-300 (PRE MOD)

BOMBARDIER (DEHAVILLAND) DHC-8-300 (PRE MOD)
FASTboot® DE-ICE BOOTS (CONTINUED)

POSITION ID	GOODRICH PART NUMBER	AIRCRAFT OEM P/N	DESCRIPTION	QTY PER AIRCRAFT	WT
3	P29S-7D5152-21	8SC0029-021	FASTBOOT® INBOARD WING LH DE-ICE BOOT	1	4.6
4	P29S-7D5152-22	8SC0029-022	FASTBOOT® INBOARD WING RH DE-ICE BOOT	1	4.6
5	P29S-7D5152-33	8SC0029-033	FASTBOOT® INBOARD CENTER WING LH DE-ICE BOOT	1	2.0
6	P29S-7D5152-34	8SC0029-034	FASTBOOT® INBOARD CENTER WING RH DE-ICE BOOT	1	2.0
7	P29S-7D5152-05	8SC0029-005	FASTBOOT® OUTBOARD CENTER WING LH DE-ICE BOOT	1	4.0
8	P29S-7D5152-06	8SC0029-006	FASTBOOT® OUTBOARD CENTER WING RH DE-ICE BOOT	1	4.0
9	P29S-7D5152-07	8SC0029-007	FASTBOOT® OUTBOARD WING LH DE-ICE BOOT	1	3.9
10	P29S-7D5152-08	8SC0029-008	FASTBOOT® OUTBOARD WING RH DE-ICE BOOT	1	3.9
11	P29S-7D5152-23	8SC0029-023	FASTBOOT® WING EXTENSION LH DE-ICE BOOT	1	1.4
12	P29S-7D5152-24	8SC0029-024	FASTBOOT® WING EXTENSION RH DE-ICE BOOT	1	1.4
13	P29S-7D5152-09	8SC0029-009	FASTBOOT® INBOARD HORIZONTAL STABILIZER LH DE-ICE BOOT	1	3.4
14	P29S-7D5152-10	8SC0029-010	FASTBOOT® INBOARD HORIZONTAL STABILIZER RH DE-ICE BOOT	1	3.4
15	P29S-7D5152-11	8SC0029-011	FASTBOOT® OUTBOARD HORIZONTAL STABILIZER LH DE-ICE BOOT	1	3.3
16	P29S-7D5152-12	8SC0029-012	FASTBOOT® OUTBOARD HORIZONTAL STABILIZER RH DE-ICE BOOT	1	3.3
17	P29S-7D5152-25	8SC0029-025	FASTBOOT® VERTICAL STABILIZER DE-ICE BOOT	1	5.9

OPTIONAL FASTboot® DE-ICE BOOTS

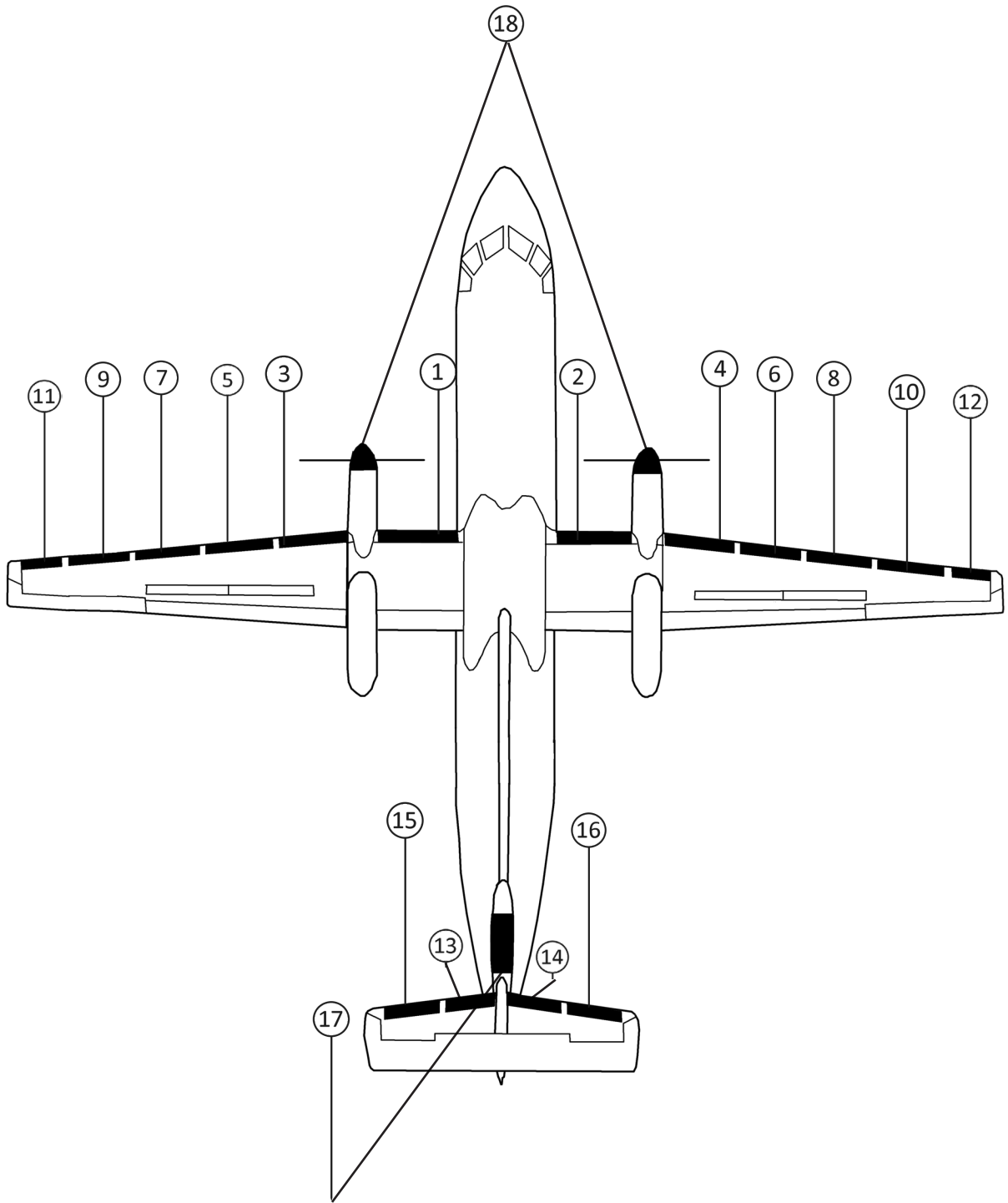
POSITION ID	GOODRICH PART NUMBER	AIRCRAFT OEM P/N	DESCRIPTION	QTY PER AIRCRAFT	WT
1	P29S-7D5152-27*	C8SC0029-027	FASTBOOT® FUSELAGE-NACELLE LH (ESTANE®) DE-ICE BOOT	1	5.0
2	P29S-7D5152-28*	8SC0029-028	FASTBOOT® FUSELAGE-NACELLE RH (ESTANE®) DE-ICE BOOT	1	4.6
3	P29S-7D5152-29*	8SC0029-029	FASTBOOT® INBOARD WING LH (ESTANE®) DE-ICE BOOT	1	4.6
4	P29S-7D5152-30*	8SC0029-030	FASTBOOT® INBOARD WING RH (ESTANE®) DE-ICE BOOT	1	4.6

*PART NUMBERS 29S-7D5152-27, -28, -29, -30 ARE SUITABLE REPLACEMENTS FOR 29S-7D5152-17, -18, -01, -02 RESPECTIVELY

ESTANE® DE-ICERS HAVE A SURFACE PLY RESISTANT TO DIESTER TYPE ENGINE OIL

BOMBARDIER (DEHAVILLAND) DHC-8-300 (PRE MOD)

BOMBARDIER (DEHAVILLAND) DHC-8-300 (PRE MOD)



BOMBARDIER (DEHAVILLAND) DHC-8-300 (PRE MOD)

BOMBARDIER (DEHAVILLAND) DHC-8-300 (POST MOD)
STANDARD DE-ICE BOOTS

POSITION ID	GOODRICH PART NUMBER	AIRCRAFT OEM P/N	DESCRIPTION	QTY PER AIRCRAFT	WT
1	29S-7D5152-17	8SC0029-015	FUSELAGE-NACELLE LH DE-ICE BOOT	1	4.6
2	29S-7D5152-18	8SC0029-016	FUSELAGE-NACELLE RH DE-ICE BOOT	1	4.6
3	29S-7D5152-35	8SC0029-035	INBOARD WING LH (ESTANE®) DE-ICE BOOT	1	4.6
4	29S-7D5152-36	8SC0029-036	INBOARD WING RH (ESTANE®) DE-ICE BOOT	1	4.6
4	29S-7D5152-39	8SC0029-039	WING INBOARD CENTER LH DE-ICE BOOT	1	2.0
5	29S-7D5152-40	8SC0029-040	WING INBOARD CENTER RH DE-ICE BOOT	1	2.0
6	29S-7D5152-41	8SC0029-041	OUTBOARD CEN WING LH DE-ICE BOOT	1	4.0
7	29S-7D5152-42	8SC0029-042	OUTBOARD CEN WING RH DE-ICE BOOT	1	4.0
8	29S-7D5152-43	8SC0029-043	OUTBOARD WING LH DE-ICE BOOT	1	4.0
9	29S-7D5152-44	8SC0029-044	OUTBOARD WING RH DE-ICE BOOT	1	4.0
10	29S-7D5152-45	8SC0029-045	EXTENSION LH DE-ICE BOOT	1	2.0
11	29S-7D5152-46	8SC0029-046	EXTENSION RH DE-ICE BOOT	1	2.0
13	29S-7D5152-09	8SC0029-009	INBOARD HORIZONTAL STABILIZER LH DE-ICE BOOT	1	3.4
14	29S-7D5152-10	8SC0029-010	INBOARD HORIZONTAL STABILIZER RH DE-ICE BOOT	1	3.4
15	29S-7D5152-11	8SC0029-011	OUTBOARD HORIZONTAL STABILIZER LH DE-ICE BOOT	1	3.3
16	29S-7D5152-12	8SC0029-012	OUTBOARD HORIZONTAL STABILIZER RH DE-ICE BOOT	1	3.3
17	29S-7D5152-25	8SC0029-025	VERTICAL STABILIZER DE-ICE BOOT	1	5.9
18	29S-7D5152-31*	8SC0041-001	ENGINE AIR INTAKE (ESTANE®) DE-ICE BOOT	2	1.6

ESTANE® DE-ICERS HAVE A SURFACE PLY RESISTANT TO DIESTER TYPE ENGINE OIL

OPTIONAL STANDARD DE-ICE BOOTS

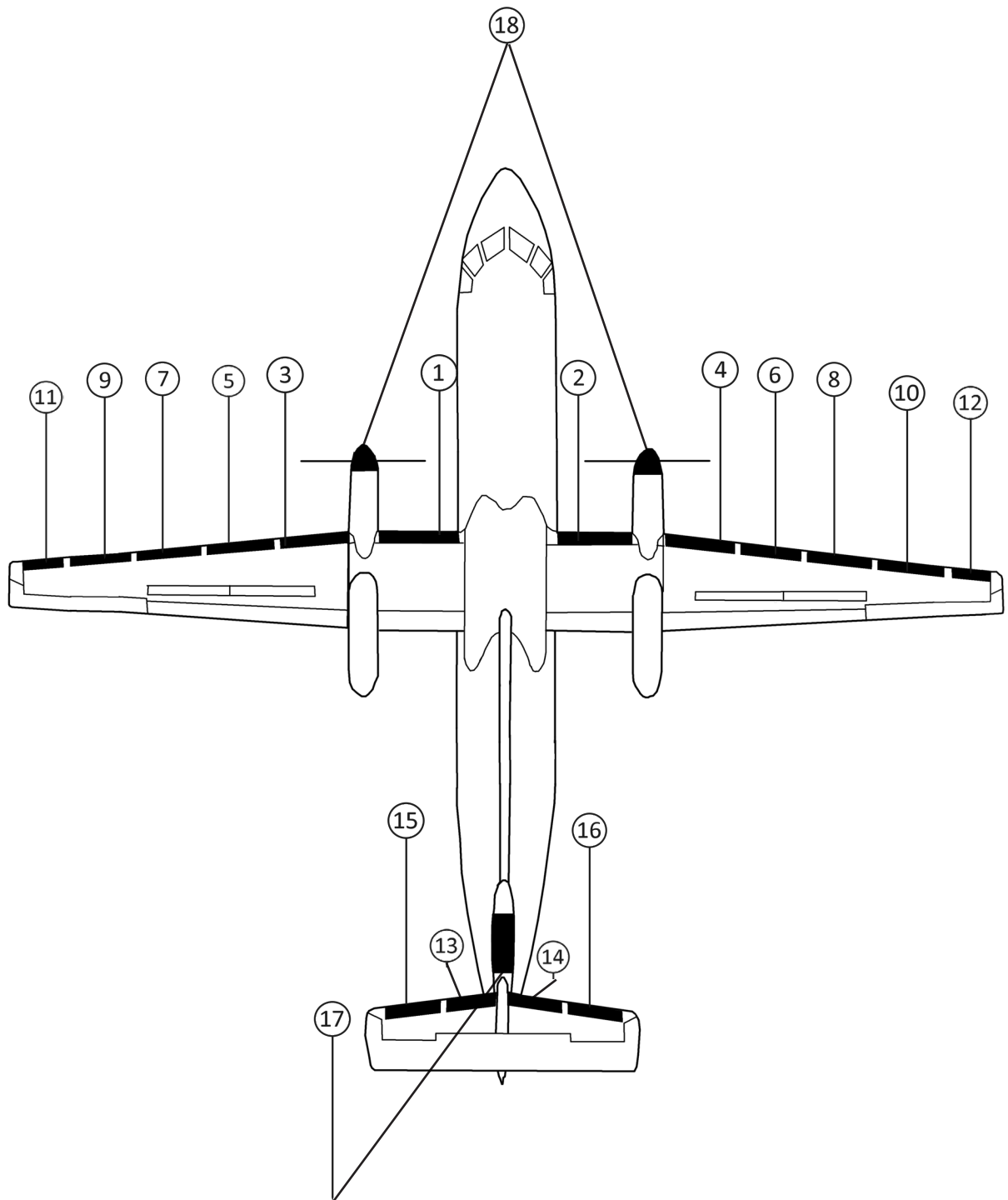
POSITION ID	GOODRICH PART NUMBER	AIRCRAFT OEM P/N	DESCRIPTION	QTY PER AIRCRAFT	WT
1	29S-7D5152-27*	8SC0029-027	FUSELAGE-NACELLE LH (ESTANE®) DE-ICE BOOT	1	4.6
2	29S-7D5152-28*	8SC0029-028	FUSELAGE-NACELLE RH (ESTANE®) DE-ICE BOOT	1	4.6

*PART NUMBERS (P)29S-7D5152-27, -28 ARE SUITABLE REPLACEMENTS FOR (P)29S-7D5152-17, -18 RESPECTIVELY

ESTANE® DE-ICERS HAVE A SURFACE PLY RESISTANT TO DIESTER TYPE ENGINE OIL

BOMBARDIER (DEHAVILLAND) DHC-8-300 (POST MOD)

BOMBARDIER (DEHAVILLAND) DHC-8-300 (POST MOD)



BOMBARDIER (DEHAVILLAND) DHC-8-300 (POST MOD)

BOMBARDIER (DEHAVILLAND) DHC-8-300 (POST MOD)
FASTboot® DE-ICE BOOTS

POSITION ID	GOODRICH PART NUMBER	AIRCRAFT OEM P/N	DESCRIPTION	QTY PER AIRCRAFT	WT
1	P29S-7D5152-17	8SC0029-015	FASTBOOT® FUSELAGE-NACELLE LH DE-ICE BOOT	1	4.6
2	P29S-7D5152-18	8SC0029-016	FASTBOOT® FUSELAGE-NACELLE RH DE-ICE BOOT	1	4.6
3	P29S-7D5152-35	C8SC0029-035	FASTBOOT® INBOARD WING LH (ESTANE®) DE-ICE BOOT	1	4.6
4	P29S-7D5152-36	C8SC0029-036	FASTBOOT® INBOARD WING RH (ESTANE®) DE-ICE BOOT	1	4.6
5	P29S-7D5152-39	C8SC0029-039	FASTBOOT® WING INBOARD CENTER LH DE-ICE BOOT	1	2.0
6	P29S-7D5152-40	C8SC0029-040	FASTBOOT® WING INBOARD CENTER RH DE-ICE BOOT	1	2.0
7	P29S-7D5152-41	C8SC0029-041	FASTBOOT® OUTBOARD CENTER WING LH DE-ICE BOOT	1	4.0
8	P29S-7D5152-42	C8SC0029-042	FASTBOOT® OUTBOARD CENTER WING RH DE-ICE BOOT	1	4.0
9	P29S-7D5152-43	C8SC0029-043	FASTBOOT® OUTBOARD WING LH DE-ICE BOOT	1	4.0
10	P29S-7D5152-44	C8SC0029-044	FASTBOOT® OUTBOARD WING RH DE-ICE BOOT	1	3.9
11	P29S-7D5152-45	C8SC0029-045	FASTBOOT® EXTENSION LH DE-ICE BOOT	1	1.4
12	P29S-7D5152-46	C8SC0029-046	FASTBOOT® EXTENSION RH DE-ICE BOOT	1	1.4
13	P29S-7D5152-09	C8SC0029-009	FASTBOOT® INBOARD STABILIZER LH DE-ICE BOOT	1	3.4
14	P29S-7D5152-10	C8SC0029-010	FASTBOOT® INBOARD STABILIZER RH DE-ICE BOOT	1	3.4
15	P29S-7D5152-11	C8SC0029-011	FASTBOOT® OUTBOARD STABILIZER LH DE-ICE BOOT	1	3.3
16	P29S-7D5152-12	C8SC0029-012	FASTBOOT® OUTBOARD STABILIZER RH DE-ICE BOOT	1	3.3
17	P29S-7D5152-25	C8SC0029-025	FASTBOOT® VERTICAL FIN DE-ICE BOOT	1	5.9

ESTANE® DE-ICERS HAVE A SURFACE PLY RESISTANT TO DIESTER TYPE ENGINE OIL

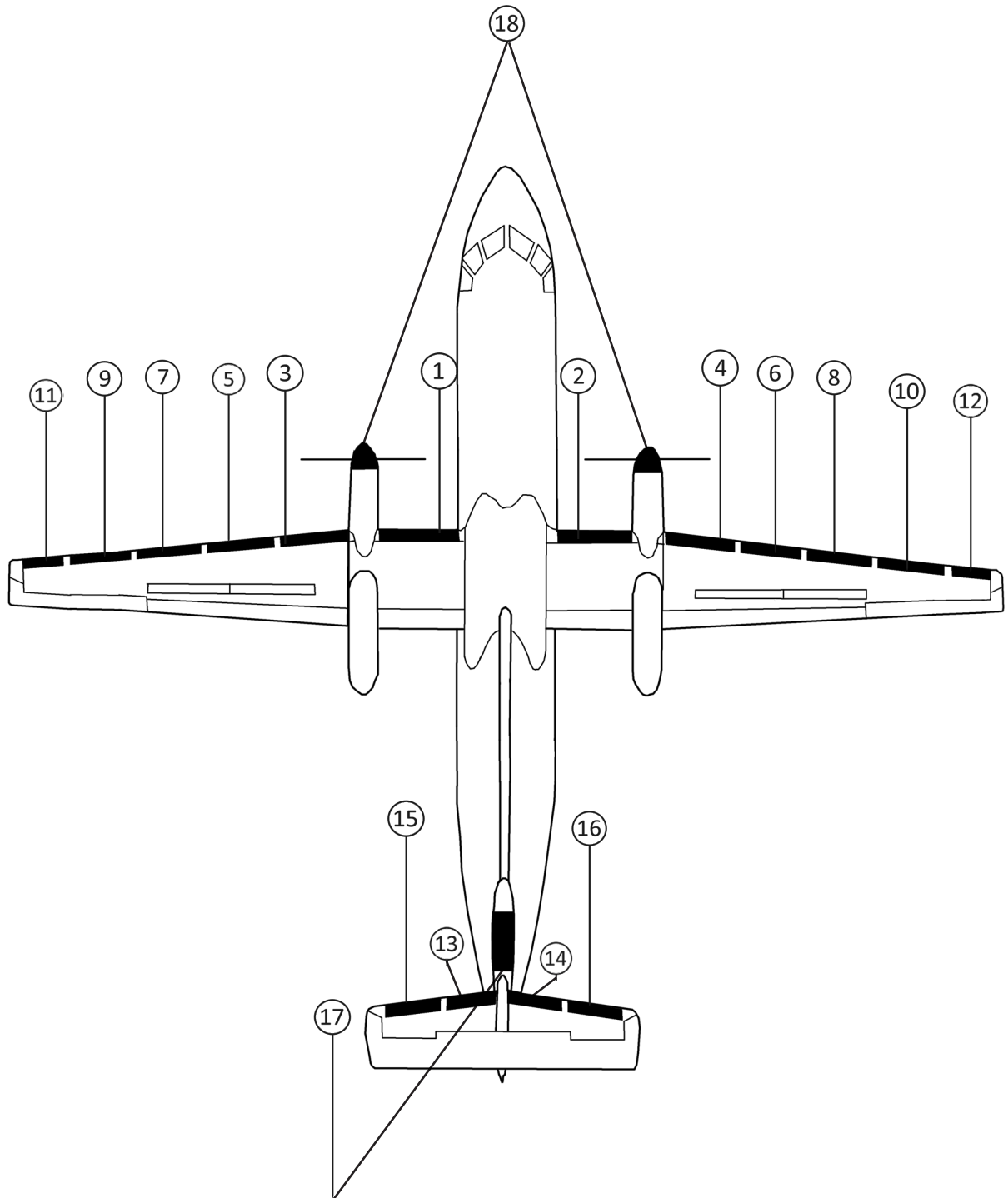
OPTIONAL FASTboot® DE-ICE BOOTS

POSITION ID	GOODRICH PART NUMBER	AIRCRAFT OEM P/N	DESCRIPTION	QTY PER AIRCRAFT	WT
1	P29S-7D5152-27	C8SC0029-027	FASTBOOT® FUSELAGE-NACELLE LH (ESTANE®) DE-ICE BOOT	1	4.6
2	P29S-7D5152-28	C8SC0029-028	FASTBOOT® FUSELAGE-NACELLE RH (ESTANE®) DE-ICE BOOT	1	4.6

*PART NUMBERS 29S-7D5152-27, -28 ARE SUITABLE REPLACEMENTS FOR 29S-7D5152-17, -18 RESPECTIVELY

BOMBARDIER (DEHAVILLAND) DHC-8-300 (POST MOD)

BOMBARDIER (DEHAVILLAND) DHC-8-300 (POST MOD)



BOMBARDIER (DEHAVILLAND) DHC-8-300 (POST MOD)

BOMBARDIER (DEHAVILLAND) DHC-8-400 (Q400)
STANDARD DE-ICE BOOTS ESTANE®

POSITION ID	GOODRICH PART NUMBER	AIRCRAFT OEM P/N	DESCRIPTION	QTY PER AIRCRAFT	WT
1	29S4D5277-01	51SP16245-1	FUSELAGE TO NACELLE LH DE-ICE BOOT	1	8.0
2	29S4D5277-02	51SP16245-2	FUSELAGE TO NACELLE RH DE-ICE BOOT	1	8.0
3	29S4D5277-03	51SP16246-1	INBOARD WING LH DE-ICE BOOT	1	5.3
4	29S4D5277-04	51SP16246-2	INBOARD WING RH DE-ICE BOOT	1	5.3
5	29S4D5277-05	51SP16238-1	INBOARD CENTER WING LH DE-ICE BOOT	1	2.2
6	29S4D5277-06	51SP16238-2	INBOARD CENTER WING RH DE-ICE BOOT	1	2.2
7	29S4D5277-07	51SP16239-1	MIDDLE WING LH DE-ICE BOOT	1	4.5
8	29S4D5277-08	51SP16239-2	MIDDLE WING RH DE-ICE BOOT	1	4.5
9	29S4D5277-09	51SP16242-1	OUTBOARD CENTER WING LH DE-ICE BOOT	1	3.7
10	29S4D5277-10	51SP16242-2	OUTBOARD CENTER WING RH DE-ICE BOOT	1	3.7
11	29S4D5277-11	51SP16243-1	OUTBOARD WING LH DE-ICE BOOT	1	1.4
12	29S4D5277-12	51SP16243-2	OUTBOARD WING RH DE-ICE BOOT	1	1.4
13	29S4D5277-13	51SP16241-1	INBOARD HORIZONTAL STABILIZER LH DE-ICE BOOT	1	4.6
14	29S4D5277-14	51SP16241-2	INBOARD HORIZONTAL STABILIZER RH DE-ICE BOOT	1	4.6
15	29S4D5277-15	51SP16244-1	OUTBOARD HORIZONTAL STABILIZER LH DE-ICE BOOT	1	4.1
16	29S4D5277-16	51SP16244-2	OUTBOARD HORIZONTAL STABILIZER RH DE-ICE BOOT	1	4.1
17	29S4D5277-17	51SP16240-1	VERTICAL STABILIZER DE-ICE BOOT	1	5.5
18	29S5D5277-19	51SP16247-1	ENGINE INLET ESTANE® DE-ICE BOOT	2	

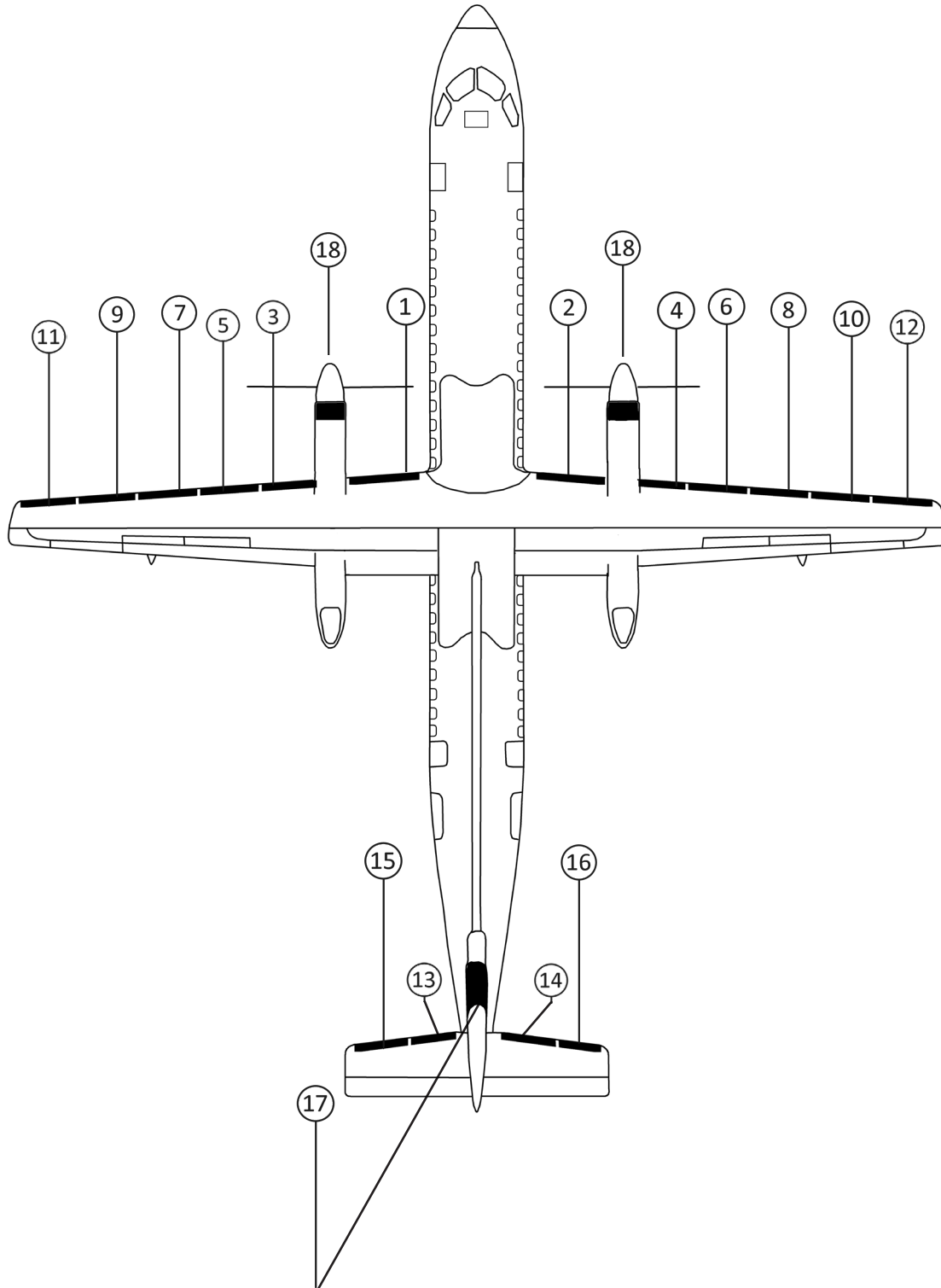
ESTANE® DE-ICERS HAVE A SURFACE PLY RESISTANT TO DIESTER TYPE ENGINE OIL

FASTboot® DE-ICE BOOTS ESTANE®

POSITION ID	GOODRICH PART NUMBER	AIRCRAFT OEM P/N	DESCRIPTION	QTY PER AIRCRAFT	WT
1	P29S4D5277-01	51SP16245-1	FASTBOOT® FUSELAGE TO NACELLE LH DE-ICE BOOT	1	8.0
2	P29S4D5277-02	51SP16245-2	FASTBOOT® FUSELAGE TO NACELLE RH DE-ICE BOOT	1	8.0
3	P29S4D5277-03	51SP16246-1	FASTBOOT® INBOARD WING LH DE-ICE BOOT	1	5.3
4	P29S4D5277-04	51SP16246-2	FASTBOOT® INBOARD WING RH DE-ICE BOOT	1	5.3
5	P29S4D5277-05	51SP16238-1	FASTBOOT® INBOARD CENTER WING LH DE-ICE BOOT	1	2.2
6	P29S4D5277-06	51SP16238-2	FASTBOOT® INBOARD CENTER WING RH DE-ICE BOOT	1	2.2
7	P29S4D5277-07	51SP16239-1	FASTBOOT® MIDDLE WING LH DE-ICE BOOT	1	4.5
8	P29S4D5277-08	51SP16239-2	FASTBOOT® MIDDLE WING RH DE-ICE BOOT	1	4.5

BOMBARDIER (DEHAVILLAND) DHC-8-400 (Q400)

BOMBARDIER (DEHAVILLAND) DHC-8-400 (Q400)



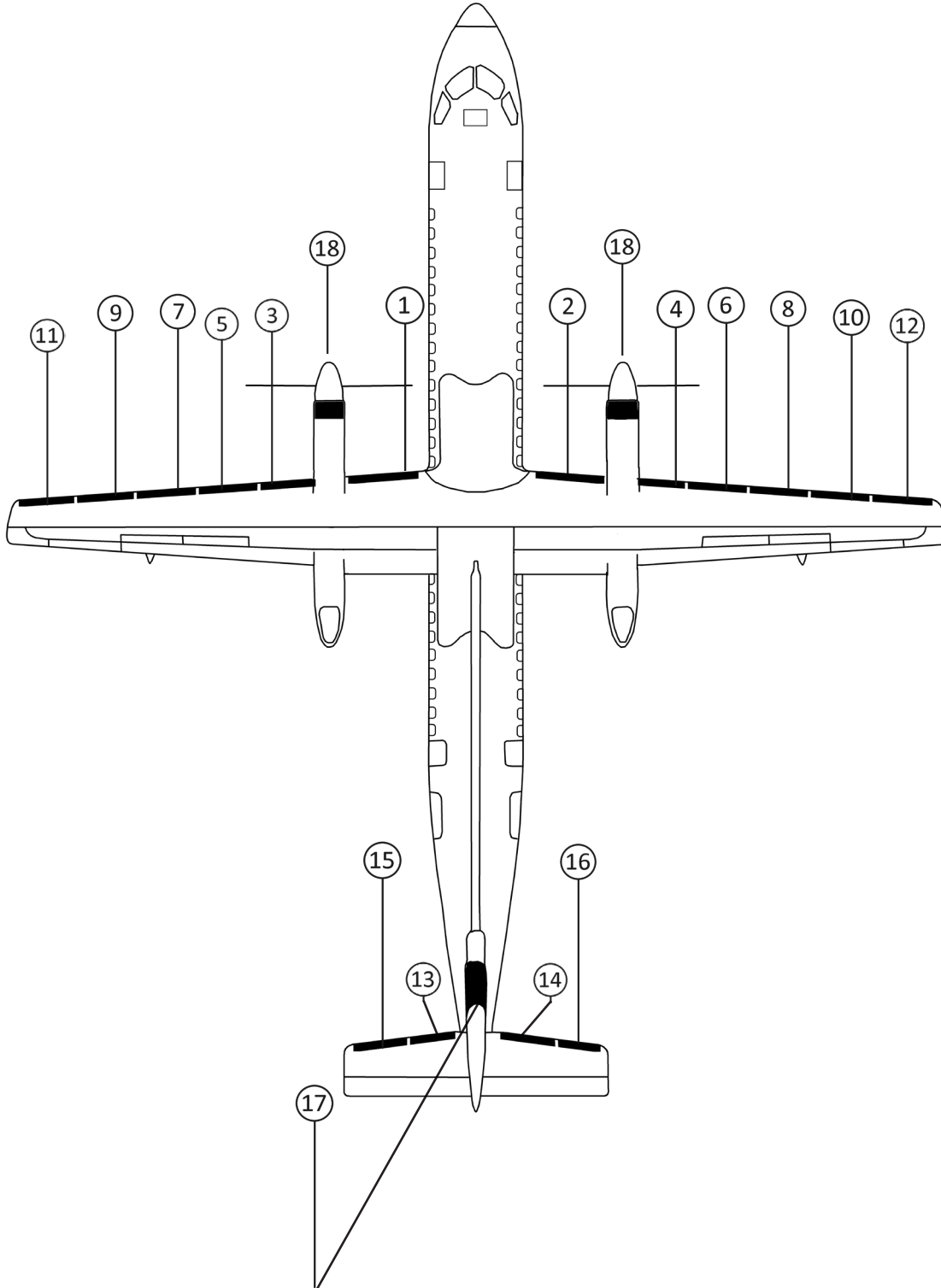
BOMBARDIER (DEHAVILLAND) DHC-8-400 (Q400)

BOMBARDIER (DEHAVILLAND) DHC-8-400 (Q400)
FASTboot® DE-ICE BOOTS ESTANE® (CONTINUED)

POSITION ID	GOODRICH PART NUMBER	AIRCRAFT OEM P/N	DESCRIPTION	QTY PER AIRCRAFT	WT
9	P29S4D5277-09	51SP16242-1	FASTBOOT® OUTBOARD CENTER WING LH DE-ICE BOOT	1	3.7
10	P29S4D5277-10	51SP16242-2	FASTBOOT® OUTBOARD CENTER WING RH DE-ICE BOOT	1	3.7
11	P29S4D5277-11	51SP16243-1	FASTBOOT® OUTBOARD WING LH DE-ICE BOOT	1	1.4
12	P29S4D5277-12	51SP16243-2	FASTBOOT® OUTBOARD WING RH DE-ICE BOOT	1	1.4
13	P29S4D5277-13	51SP16241-1	FASTBOOT® INBOARD HORIZONTAL STABILIZER LH DE-ICE BOOT	1	4.6
14	P29S4D5277-14	51SP16241-2	FASTBOOT® INBOARD HORIZONTAL STABILIZER RH DE-ICE BOOT	1	4.6
15	P29S4D5277-15	51SP16244-1	FASTBOOT® OUTBOARD HORIZONTAL STABILIZER LH DE-ICE BOOT	1	4.1
16	P29S4D5277-16	51SP16244-2	FASTBOOT® OUTBOARD HORIZONTAL STABILIZER RH DE-ICE BOOT	1	4.1
17	P29S4D5277-17	51SP16240-1	FASTBOOT® VERTICAL STABILIZER DE-ICE BOOT	1	5.5

BOMBARDIER (DEHAVILLAND) DHC-8-400 (Q400)

BOMBARDIER (DEHAVILLAND) DHC-8-400 (Q400)



BOMBARDIER (DEHAVILLAND) DHC-8-400 (Q400)